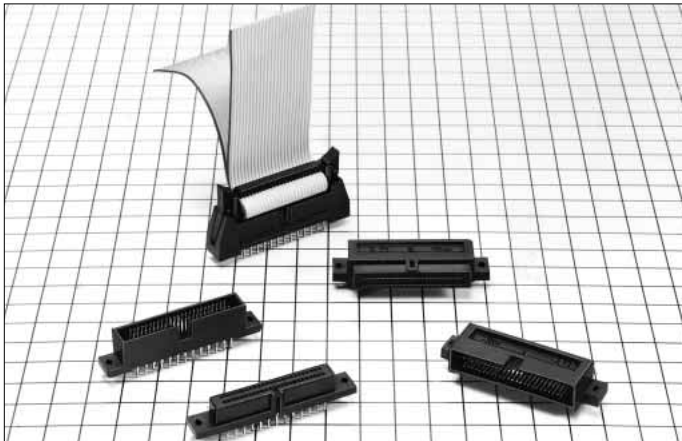


1.27mm Pitch Two-Piece Connector

HIF6 Series



■ Features

1. Product Variation

The connection method is available with the board to board type and insulation displacement type.

2. Broad applications

HIF2E, HIF3B and HIF5 can be combined one other, because the 1.27mm pitch flat cable is used.

3. Applicable Cables

The applicable cable is a (UL2651) AWG #28 flat cable (7cores: 0.127mm, outer jacket diameter: 0.8 to 1.0mm)

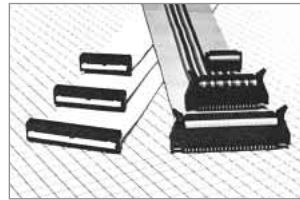
4. Mis-insertion Preventive Structure

The mis-insertion preventive guide prevents mis-insertion.

Connector in combination with the HIF6 series connection type

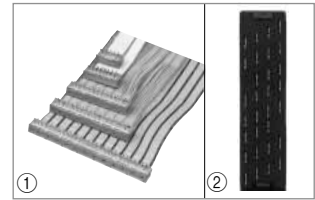
● HIF3B Series

(MIL-C-83503)



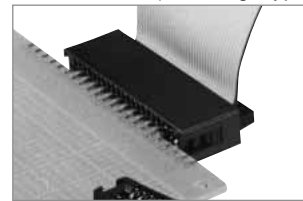
● HIF2 Series

(Board direct mount type)



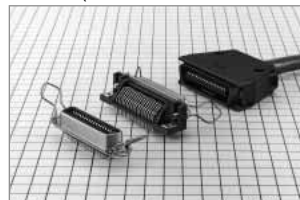
● HIF5 Series

(Card edge type)



● RC Series

(Micro ribbon connector)



● FD Series

(D sub-ribbon connector)

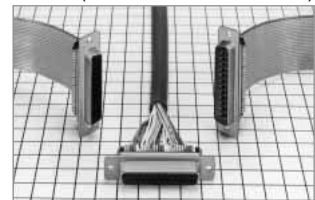


Photo ① (For further information, refer to catalog page B86.)

■ Applications

Computers, peripheral and terminal equipment, PPC, various kinds of electronic equipment, Office Automation machines

■ Product Specifications

Rating	Current rating: 0.5A Voltage rating: 125V AC	Operating Temperature Range: -55 to +85 °C (Note 1) Operating Humidity Range: 40 to 80%	Storage Temperature Range: -10 to +60°C (Note 2) Operating Humidity Range: 40 to 70% (Note 2)
--------	-------------------------------------------------	--------------------------------------------------------------------------------------------	--------------------------------------------------------------------------------------------------

Item	Specification	Condition
1. Insulation Resistance	1000M ohms min.	250V DC
2. Withstanding Voltage	No flashover or insulation breakdown.	300V AC/1 minute.
3. Contact Resistance	30m ohms max.	0.1A
4. Vibration	No electrical discontinuity of 1μs or more	Frequency: 10 to 55 Hz, single amplitude of 0.75 mm, 2 hours in each of the 3 directions.
5. Humidity (Steady state)	Insulation resistance: 1000M ohms min.	96 hours at temperature of 40°C and humidity of 90% to 95%
6. Temperature Cycle	No damage, cracks, or parts looseness.	(-65°C: 30 minutes → 15 to 35°C: 5 minutes max. → 125°C: 30 minutes → 15 to 35°C: 5 minutes max.) 5 cycles
7. Durability (Mating/un-mating)	Contact resistance: 30m ohms max.	500 cycles
8. Resistance to Soldering heat	No deformation of components affecting performance.	Solder bath: 260°C for 10 seconds
		Manual soldering: 360°C for 5 seconds

Note 1: Includes temperature rise caused by current flow.

Note 2: The term "storage" refers to products stored for long period of time prior to mounting and use. Operating Temperature Range and Humidity range covers non conducting condition of installed connectors in storage, shipment or during transportation.

Note 3: Information contained in this catalog represents general requirements for this Series. Contact us for the drawings and specifications for a specific part number shown.

Note 4: Please note that there is a risk of deforming the lock when an excessive load is applied to the inside.

HIF6 Series 1.27mm Pitch Two-Piece Connector

■ **Material**

Parts	Material	Finish	Remarks
Insulator	PBT	Black	UL94V-0
Socket Contact	Copper alloy	Selective gold plating	—————
Pin header Contact	Brass		

■ **Ordering Information**

● **Socket and Receptacle**

HIF6 A - * D A - 1.27 DSA L
① ② ③ ④ ⑤ ⑥ ⑦ ⑧

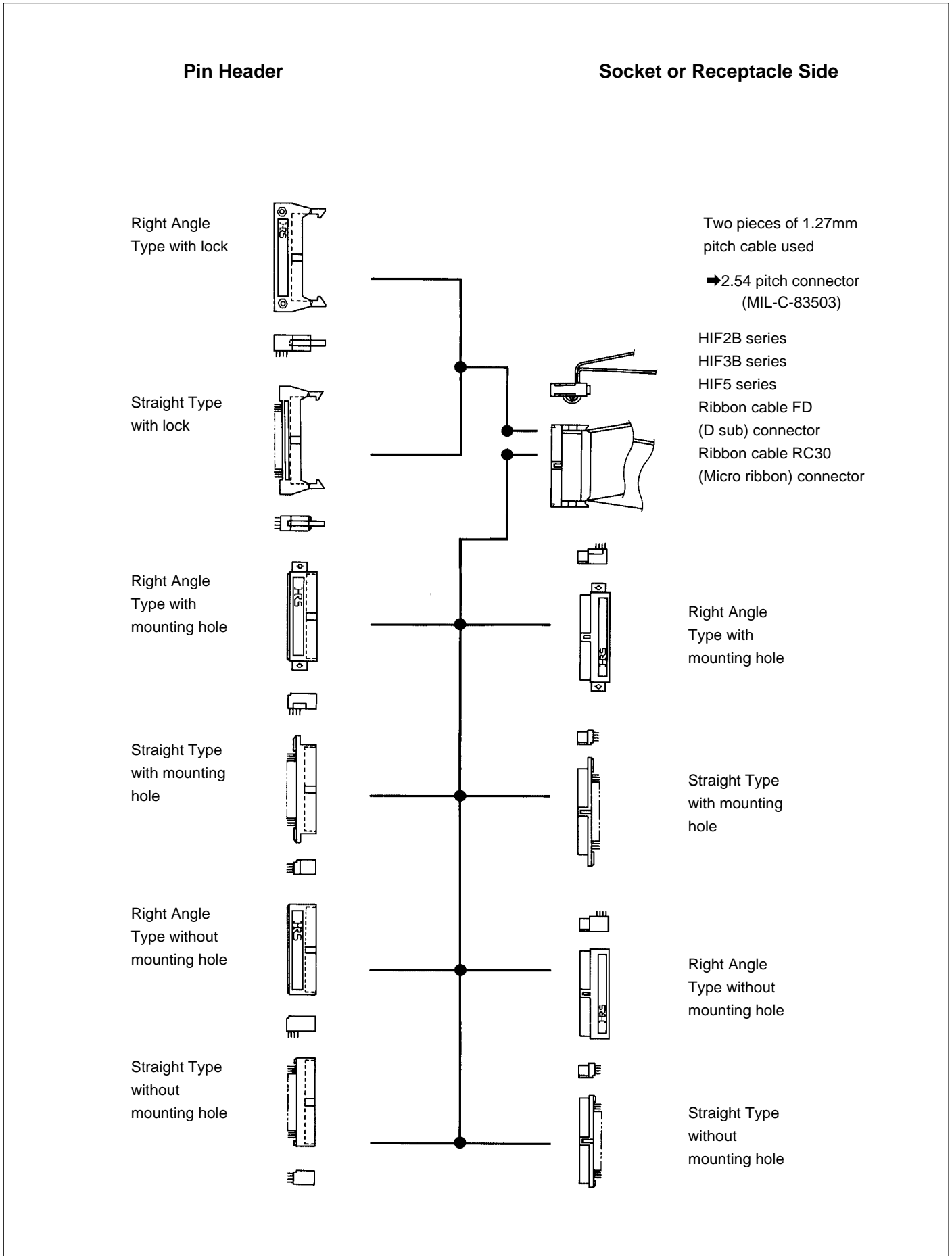
① Series Name	: HIF6
② Blank	: Ribbon cable insulation displacement type
A	: Without board mounting hole
B	: With board mounting hole
③ Number of contacts	: 20, 26, 32, 34, 40, 50, 52, 60, 68, 80, 100
④ D	: Socket or receptacle
⑤ A	: Selective gold plated
⑥ Contact pitch	: 1.27mm
⑦ Contact type	: DS : Right angle type DSA : Straight type R : Ribbon cable ID type
⑧ L	: Board pre-fixed lock pin

● **Pin Header**

HIF6 A - * P A - 1.27 DSA L
① ② ③ ④ ⑤ ⑥ ⑦ ⑧

① Series Name	: HIF6
② Blank	: With lock
A	: Without board mounting hole
B	: With board mounting hole
③ Number of contacts	: 20, 26, 32, 34, 40, 50, 52, 60, 68, 80, 100
④ P	: Pin header
⑤ A	: Selective gold plated
⑥ Contact pitch	: 1.27mm
⑦ Contact style	: DS : Right angle type DSA : Straight type
⑧ L	: Board pre-fixed lock pin

Function Chart

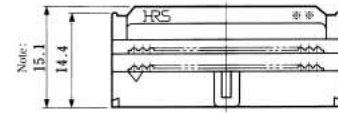
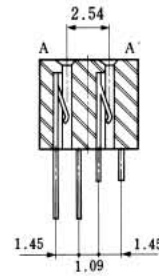


HIF6 Series 1.27mm Pitch Two-Piece Connector

■ Cable ID Connector

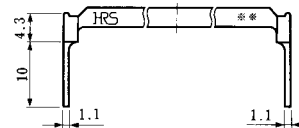
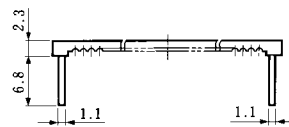
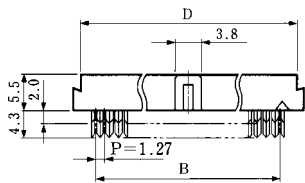
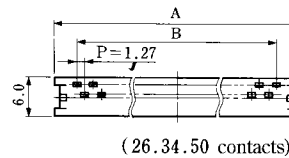
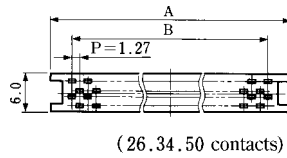
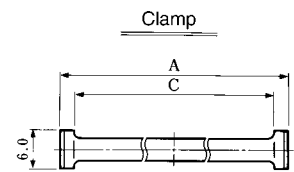
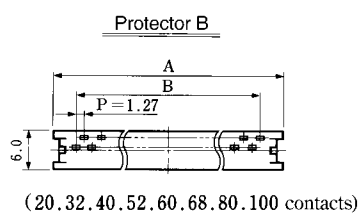
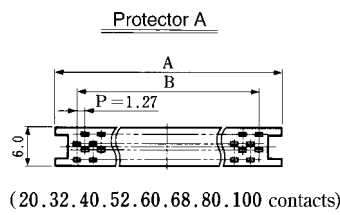
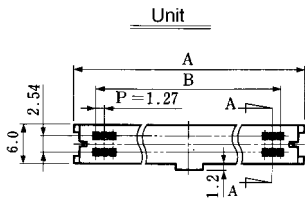


Unit: mm



Combination View

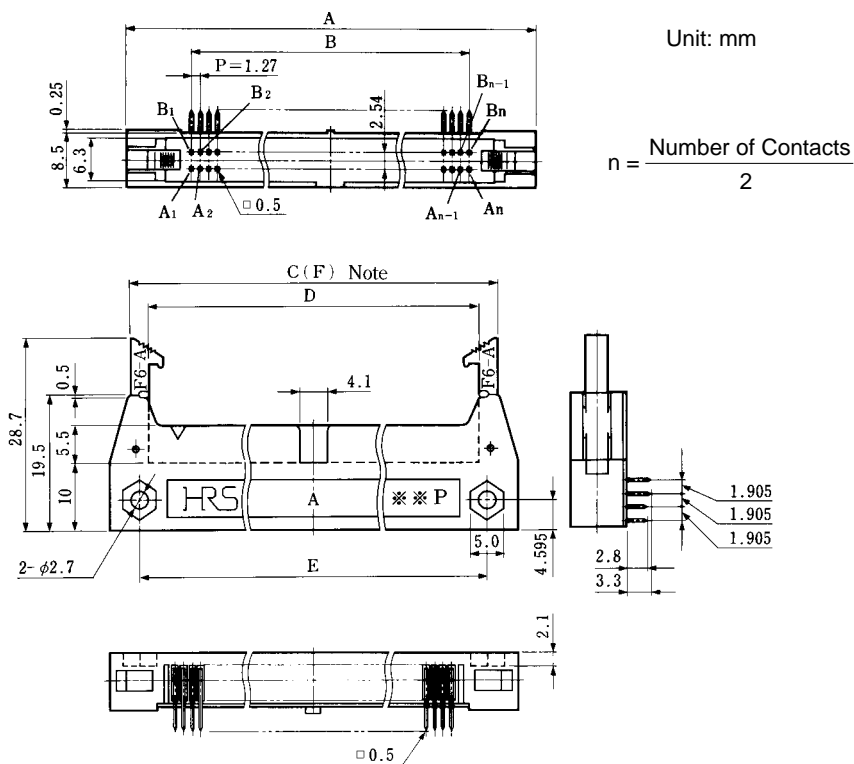
Note: The full height of 100 contacts is 17.1mm, while the clamp type differs Selectively.



Unit: mm

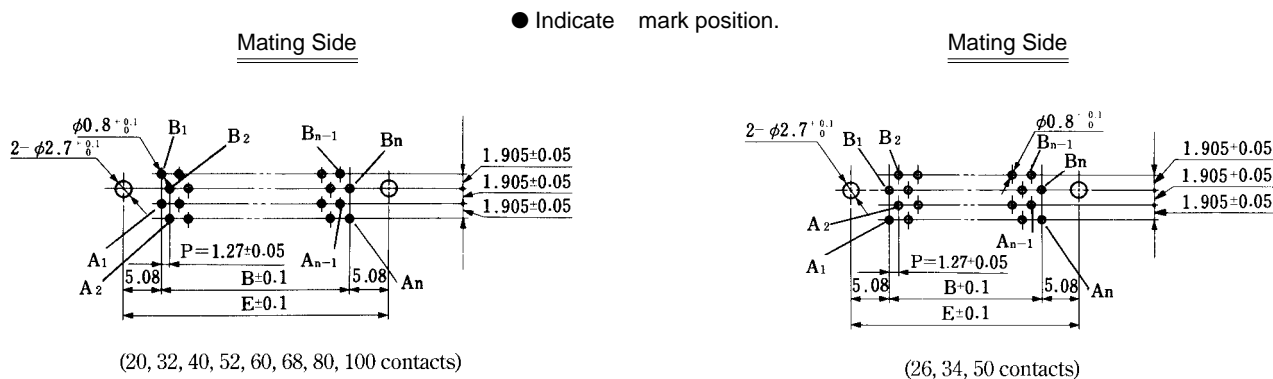
Part Number	CL No.	Number of Contacts	A	B	C	D	RoHS
HIF6- 20D-1.27R	630-0001-4	20	18.55	11.43	13.95	16.35	YES
HIF6- 26D-1.27R	630-0002-7	26	22.36	15.24	17.76	20.16	
HIF6- 32D-1.27R	630-0003-0	32	26.17	19.05	21.57	23.97	
HIF6- 34D-1.27R	630-0004-2	34	27.44	20.32	22.84	25.24	
HIF6- 40D-1.27R	630-0005-5	40	31.25	24.13	26.65	29.05	
HIF6- 50D-1.27R	630-0006-8	50	37.60	30.48	33.00	35.40	
HIF6- 52D-1.27R	630-0007-0	52	38.87	31.75	34.27	36.67	
HIF6- 60D-1.27R	630-0008-3	60	43.95	36.83	39.35	41.75	
HIF6- 68D-1.27R	630-0009-6	68	49.03	41.91	44.43	46.83	
HIF6- 80D-1.27R	630-0010-5	80	56.65	49.53	52.05	54.45	
HIF6-100D-1.27R	630-0011-8	100	69.35	62.23	64.75	67.15	

Pin Header Right Angle Type with lock



Note : Size F indicates the state where the lock is open.

PCB mounting pattern

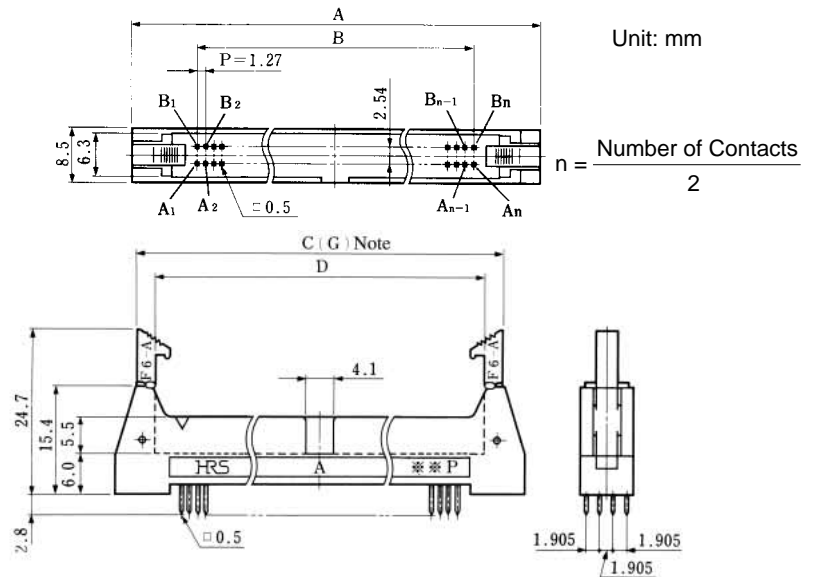
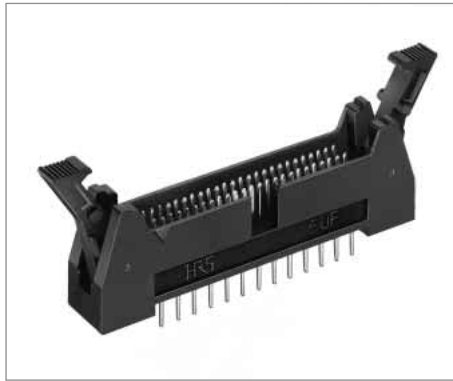


Unit: mm

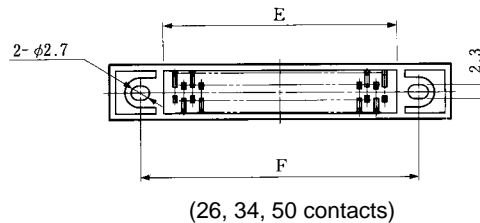
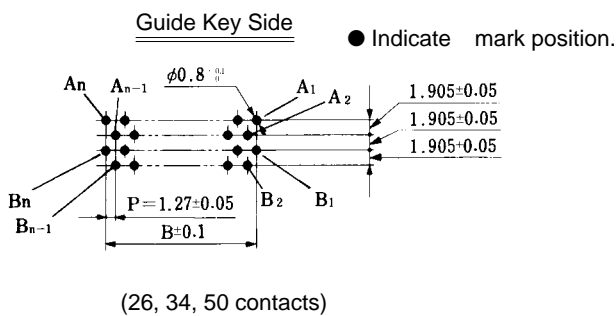
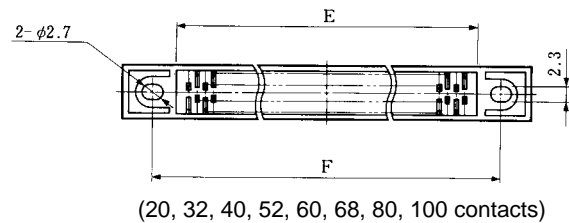
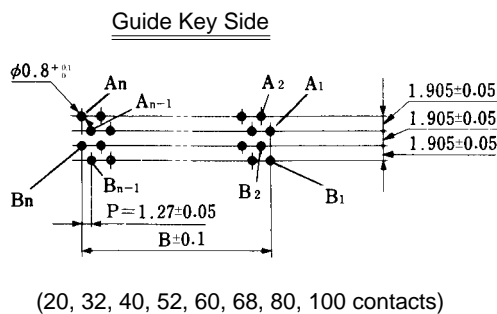
Part Number	CL No.	Number of Contacts	A	B	C	D	E	F	RoHS
HIF6- 20PA-1.27DS	630-0051-2	20	30.95	11.43	24.55	18.75	21.59	43.55	YES
HIF6- 26PA-1.27DS	630-0052-5	26	34.76	15.24	28.36	22.56	25.40	47.36	
HIF6- 32PA-1.27DS	630-0053-8	32	38.57	19.05	32.17	26.37	29.21	51.17	
HIF6- 34PA-1.27DS	630-0054-0	34	39.84	20.32	33.44	27.64	30.48	52.44	
HIF6- 40PA-1.27DS	630-0055-3	40	43.65	24.13	37.25	31.45	34.29	56.25	
HIF6- 50PA-1.27DS	630-0056-6	50	50.00	30.48	43.60	37.80	40.64	62.60	
HIF6- 52PA-1.27DS	630-0057-9	52	51.27	31.75	44.87	39.07	41.91	63.87	
HIF6- 60PA-1.27DS	630-0058-1	60	56.35	36.83	49.95	44.15	46.99	68.95	
HIF6- 68PA-1.27DS	630-0059-4	68	61.43	41.91	55.03	49.23	52.07	74.03	
HIF6- 80PA-1.27DS	630-0060-3	80	69.05	49.53	62.65	56.85	59.69	81.65	
HIF6-100PA-1.27DS	630-0061-6	100	81.75	62.23	75.35	69.55	72.39	94.35	

HIF6 Series 1.27mm Pitch Two-Piece Connector

Pin Header Straight Type with lock



PCB mounting pattern

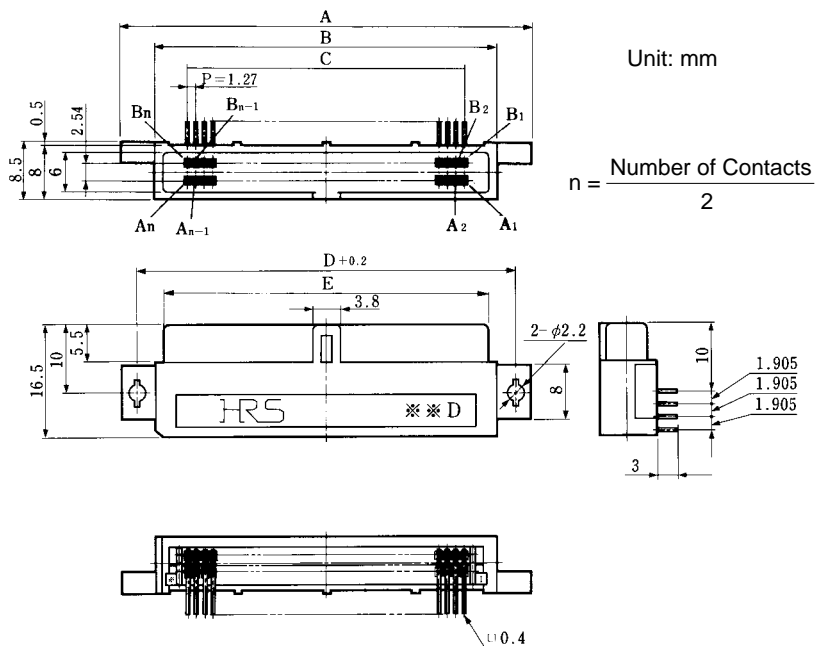


Note : Size G indicates a state where the lock is open.

Unit: mm

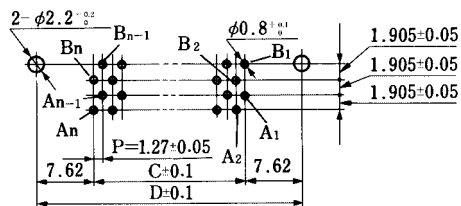
Part Number	CL No.	Number of Contacts	A	B	C	D	E	F	G	RoHS
HIF6- 20PA-1.27DSA(71)	630-0101-9-71	20	30.95	11.43	24.55	18.75	14.95	21.59	43.55	YES
HIF6- 26PA-1.27DSA(71)	630-0102-1-71	26	34.76	15.24	28.36	22.56	18.76	25.40	47.36	
HIF6- 32PA-1.27DSA(71)	630-0103-4-71	32	38.57	19.05	32.17	26.37	22.57	29.21	51.17	
HIF6- 34PA-1.27DSA(71)	630-0104-7-71	34	39.84	20.32	33.44	27.64	23.84	30.48	52.44	
HIF6- 40PA-1.27DSA(71)	630-0105-0-71	40	43.65	24.13	37.25	31.45	27.65	34.29	56.25	
HIF6- 50PA-1.27DSA(71)	630-0106-2-71	50	50.00	30.48	43.60	37.80	34.00	40.64	62.60	
HIF6- 52PA-1.27DSA(71)	630-0107-5-71	52	51.27	31.75	44.87	39.07	35.27	41.91	63.87	
HIF6- 60PA-1.27DSA(71)	630-0108-8-71	60	56.35	36.83	49.95	44.15	40.35	46.99	68.95	
HIF6- 68PA-1.27DSA(71)	630-0109-0-71	68	61.43	41.91	55.03	49.23	45.43	52.07	74.03	
HIF6- 80PA-1.27DSA(71)	630-0110-0-71	80	69.05	49.53	62.65	56.85	53.05	59.69	81.65	
HIF6-100PA-1.27DSA(71)	630-0111-2-71	100	81.75	62.23	75.35	69.55	65.75	72.39	94.35	

Receptacle Right Angle Type with Mounting hole



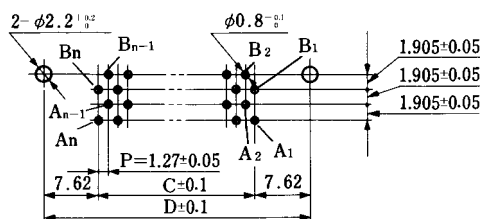
PCB mounting pattern

Mating Side



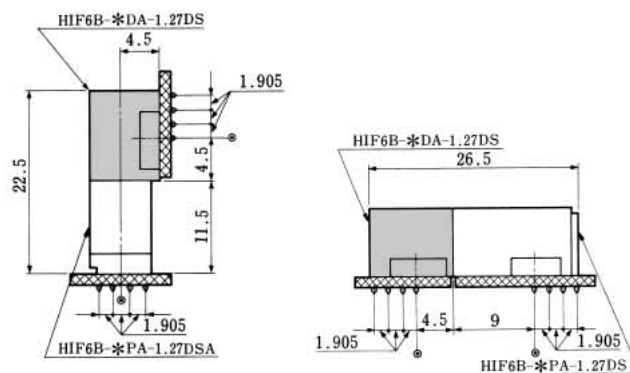
(20, 32, 40, 52, 60, 68, 80 contacts)

Mating Side



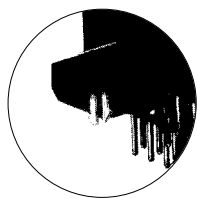
(26, 34, 50 contacts)

Application Pattern



⊙ Mounting hole center line

Unit: mm

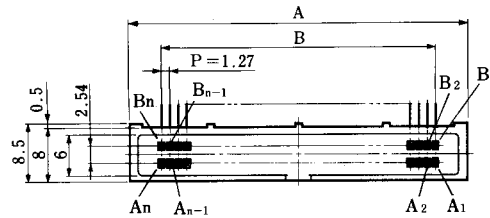
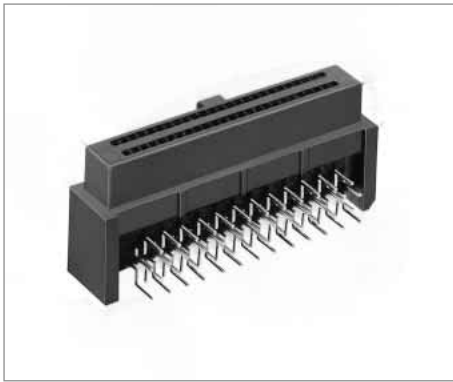


*Lock pin type is also available.

Part Number	CL No.	Number of Contacts	A	B	C	D	E	RoHS
HIF6B-20DA-1.27DS(71)	631-0051-9-71	20	30.95	20.95	11.43	26.67	18.55	YES
HIF6B-26DA-1.27DS(71)	631-0052-1-71	26	34.76	24.76	15.24	30.48	22.36	
HIF6B-32DA-1.27DS(71)	631-0053-4-71	32	38.57	28.57	19.05	34.29	26.17	
HIF6B-34DA-1.27DS(71)	631-0054-7-71	34	39.84	29.84	20.32	35.56	27.44	
HIF6B-40DA-1.27DS(71)	631-0055-0-71	40	43.65	33.65	24.13	39.37	31.25	
HIF6B-50DA-1.27DS(71)	631-0056-2-71	50	50.00	40.00	30.48	45.72	37.60	
HIF6B-52DA-1.27DS(71)	631-0057-5-71	52	51.27	41.27	31.75	46.99	38.87	
HIF6B-60DA-1.27DS(71)	631-0058-8-71	60	56.35	46.35	36.83	52.07	43.95	
HIF6B-68DA-1.27DS(71)	631-0059-0-71	68	61.43	51.43	41.91	57.15	49.03	
HIF6B-80DA-1.27DS(71)	631-0060-0-71	80	69.05	59.05	49.53	64.77	56.65	

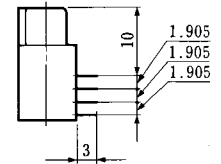
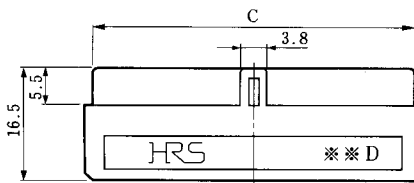
HIF6 Series 1.27mm Pitch Two-Piece Connector

Receptacle Right Angle Type Without Mounting hole



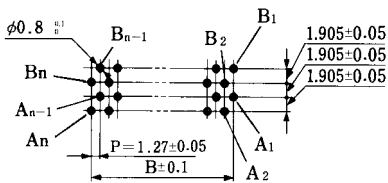
Unit: mm

$$n = \frac{\text{Number of Contacts}}{2}$$



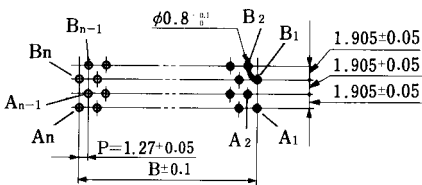
PCB mounting pattern

Mating Side



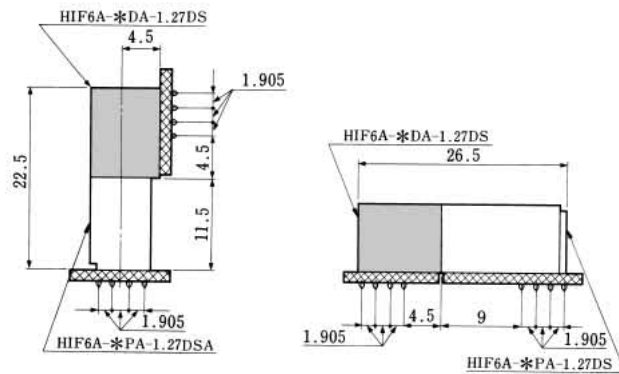
(20, 32, 40, 52, 60, 68, 80 contacts)

Mating Side



(26, 34, 50 contacts)

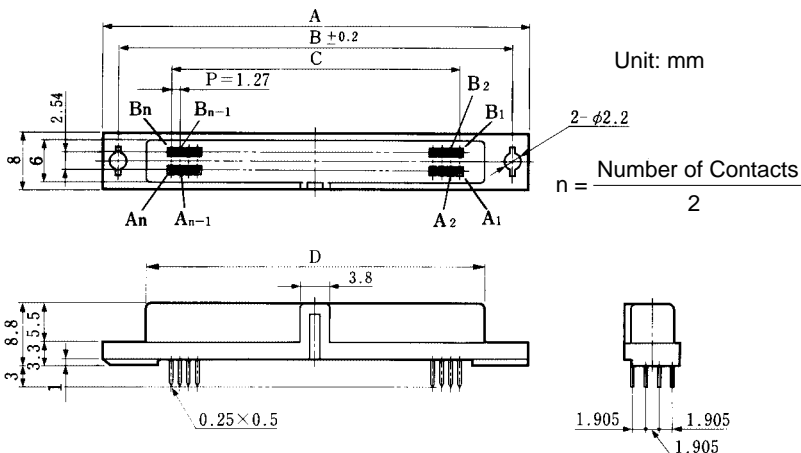
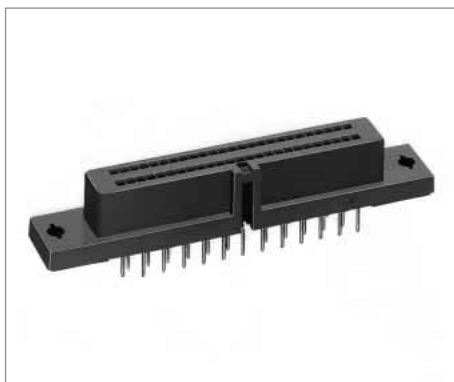
Application Pattern



Unit: mm

Part Number	CL No.	Number of Contacts	A	B	C	RoHS
HIF6A-20DA-1.27DS(71)	631-0001-0-71	20	20.95	11.43	18.55	YES
HIF6A-26DA-1.27DS(71)	631-0002-3-71	26	24.76	15.24	22.36	
HIF6A-32DA-1.27DS(71)	631-0003-6-71	32	28.57	19.05	26.17	
HIF6A-34DA-1.27DS(71)	631-0004-9-71	34	29.84	20.32	27.44	
HIF6A-40DA-1.27DS(71)	631-0005-1-71	40	33.65	24.13	31.25	
HIF6A-50DA-1.27DS(71)	631-0006-4-71	50	40.00	30.48	37.60	
HIF6A-52DA-1.27DS(71)	631-0007-7-71	52	41.27	31.75	38.87	
HIF6A-60DA-1.27DS(71)	631-0008-0-71	60	46.35	36.83	43.95	
HIF6A-68DA-1.27DS(71)	631-0009-2-71	68	51.43	41.91	49.03	
HIF6A-80DA-1.27DS(71)	631-0010-1-71	80	59.05	49.53	56.65	

Receptacle Straight Type with Mounting hole



PCB mounting pattern

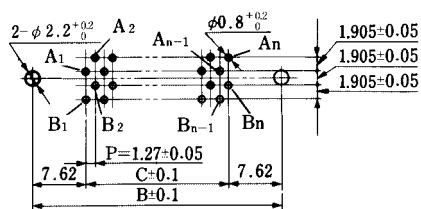


(20, 32, 40, 52, 60, 68, 80, 100 contacts)



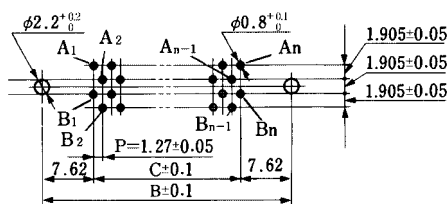
(26, 34, 50 contacts)

Guide Key Side



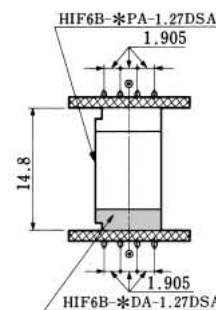
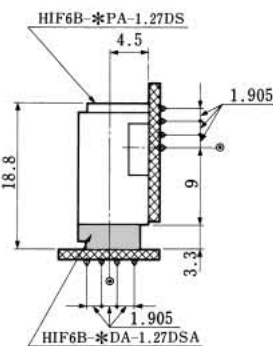
(20, 32, 40, 52, 60, 68, 80, 100 contacts)

Guide Key Side



(26, 34, 50 contacts)

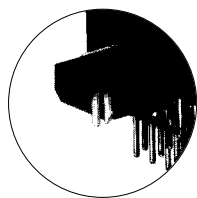
Application Pattern



○ Mounting hole center line

Unit: mm

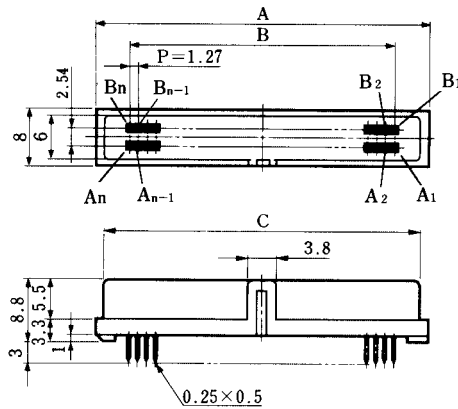
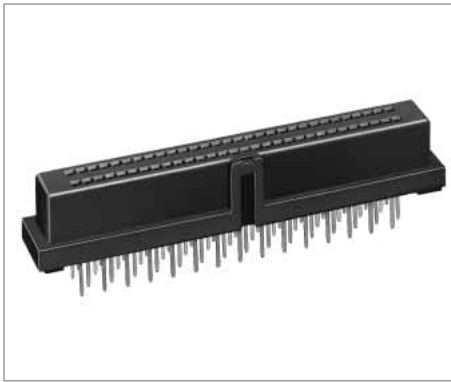
Part Number	CL No.	Number of Contacts	A	B	C	D	RoHS
HIF6B- 20DA-1.27DSA(71)	631-0151-3-71	20	30.95	26.67	11.43	18.55	YES
HIF6B- 26DA-1.27DSA(71)	631-0152-6-71	26	34.76	30.48	15.24	22.36	
HIF6B- 32DA-1.27DSA(71)	631-0153-9-71	32	38.57	34.29	19.05	26.17	
HIF6B- 34DA-1.27DSA(71)	631-0154-1-71	34	39.84	35.56	20.32	27.44	
HIF6B- 40DA-1.27DSA(71)	631-0155-4-71	40	43.65	39.37	24.13	31.25	
HIF6B- 50DA-1.27DSA(71)	631-0156-7-71	50	50.00	45.72	30.48	37.60	
HIF6B- 52DA-1.27DSA(71)	631-0157-0-71	52	51.27	46.99	31.75	38.87	
HIF6B- 60DA-1.27DSA(71)	631-0158-2-71	60	56.35	52.07	36.83	43.95	
HIF6B- 68DA-1.27DSA(71)	631-0159-5-71	68	61.43	57.15	41.91	49.03	
HIF6B- 80DA-1.27DSA(71)	631-0160-4-71	80	69.05	64.77	49.53	56.65	
HIF6B-100DA-1.27DSA(71)	631-0161-7-71	100	81.75	77.47	62.23	69.35	



*Lock pin type is also available.

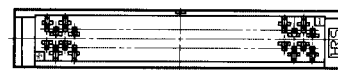
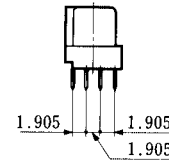
HIF6 Series 1.27mm Pitch Two-Piece Connector

■ Receptacle Straight Type without Mounting hole

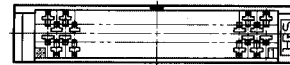


Unit: mm

$$n = \frac{\text{Number of Contacts}}{2}$$



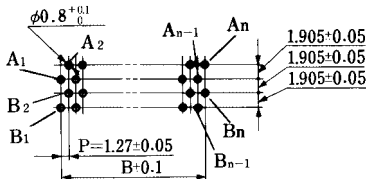
(20, 32, 40, 52, 60, 68, 80, 100 contacts)



(26, 34, 50 contacts)

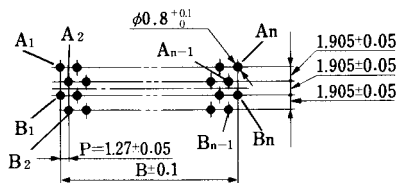
◆ PCB mounting pattern

Guide Key Side



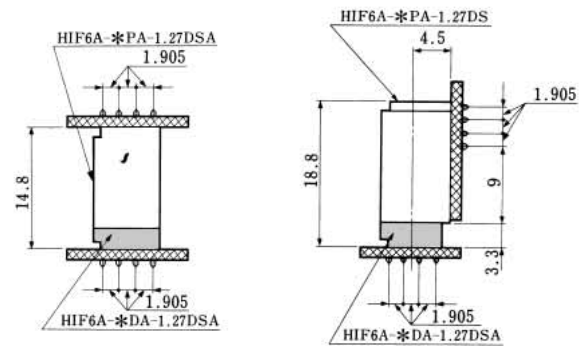
(20, 32, 40, 52, 60, 68, 80, 100 contacts)

Guide Key Side



(26, 34, 50 contacts)

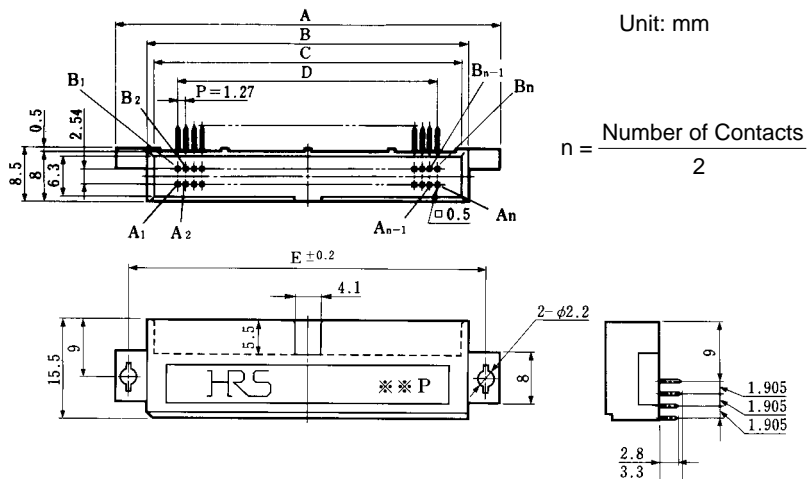
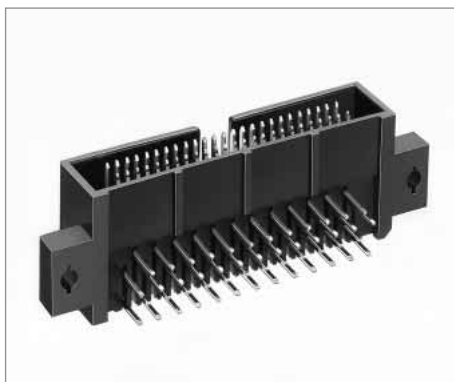
◆ Application Pattern



Unit: mm

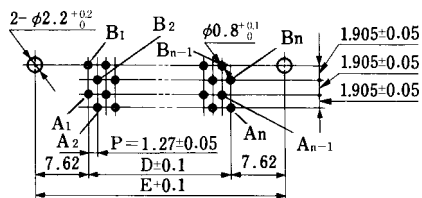
Part Number	CL No.	Number of Contacts	A	B	C	RoHS
HIF6A- 20DA-1.27DSA(71)	631-0101-5-71	20	20.95	11.43	18.55	YES
HIF6A- 26DA-1.27DSA(71)	631-0102-8-71	26	24.76	15.24	22.36	
HIF6A- 32DA-1.27DSA(71)	631-0103-0-71	32	28.57	19.05	26.17	
HIF6A- 34DA-1.27DSA(71)	631-0104-3-71	34	29.84	20.32	27.44	
HIF6A- 40DA-1.27DSA(71)	631-0105-6-71	40	33.65	24.13	31.25	
HIF6A- 50DA-1.27DSA(71)	631-0106-9-71	50	40.00	30.48	37.60	
HIF6A- 52DA-1.27DSA(71)	631-0107-1-71	52	41.27	31.75	38.87	
HIF6A- 60DA-1.27DSA(71)	631-0108-4-71	60	46.35	36.83	43.95	
HIF6A- 68DA-1.27DSA(71)	631-0109-7-71	68	51.43	41.91	49.03	
HIF6A- 80DA-1.27DSA(71)	631-0110-6-71	80	59.05	49.53	56.65	
HIF6A-100DA-1.27DSA(71)	631-0111-9-71	100	71.75	62.23	69.35	

Pin Header Right Angle Type with Mounting hole



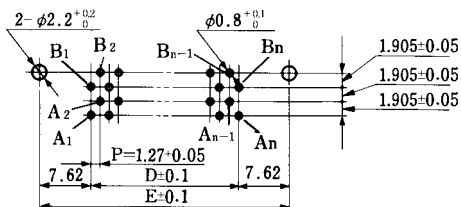
PCB mounting pattern

Mating Side



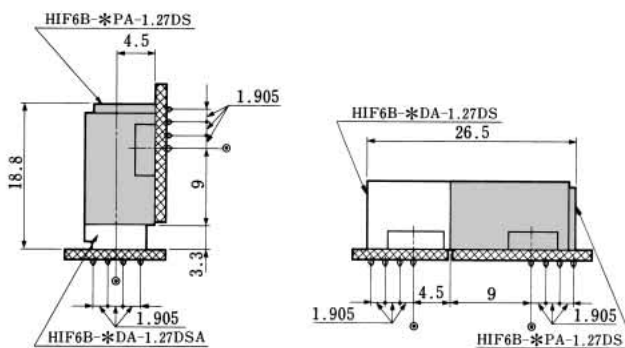
(20, 32, 40, 52, 60, 68, 80, 100 contacts)

Mating Side



(26, 34, 50 contacts)

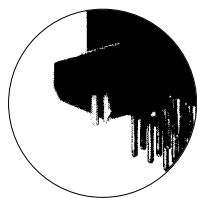
Application Pattern



○ Mounting hole center line

Unit: mm

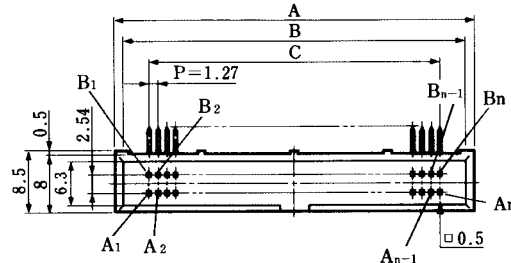
Part Number	CL No.	Number of Contacts	A	B	C	D	E	RoHS
HIF6B- 20PA-1.27DS(71)	631-0251-8-71	20	30.95	20.95	18.75	11.43	26.67	YES
HIF6B- 26PA-1.27DS(71)	631-0252-0-71	26	34.76	24.76	22.56	15.24	30.48	
HIF6B- 32PA-1.27DS(71)	631-0253-3-71	32	38.57	28.57	26.37	19.05	34.29	
HIF6B- 34PA-1.27DS(71)	631-0254-6-71	34	39.84	29.84	27.64	20.32	35.56	
HIF6B- 40PA-1.27DS(71)	631-0255-9-71	40	43.65	33.65	31.45	24.13	39.37	
HIF6B- 50PA-1.27DS(71)	631-0256-1-71	50	50.00	40.00	37.80	30.48	45.72	
HIF6B- 52PA-1.27DS(71)	631-0257-4-71	52	51.27	41.27	39.07	31.75	46.99	
HIF6B- 60PA-1.27DS(71)	631-0258-7-71	60	56.35	46.35	44.15	36.83	52.07	
HIF6B- 68PA-1.27DS(71)	631-0259-0-71	68	61.43	51.43	49.23	41.91	57.15	
HIF6B- 80PA-1.27DS(71)	631-0260-9-71	80	69.05	59.05	56.85	49.53	64.77	
HIF6B-100PA-1.27DS(71)	631-0261-1-71	100	81.75	71.75	69.55	62.23	77.47	



※Lock pin type is also available.

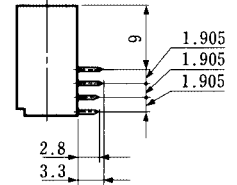
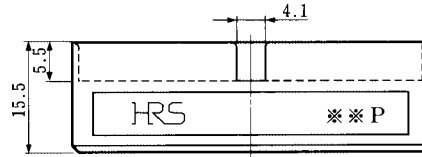
HIF6 Series 1.27mm Pitch Two-Piece Connector

Pin Header Right Angle Type Without Mounting hole

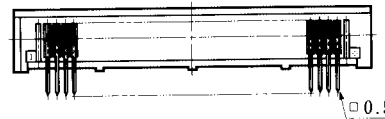


Unit: mm

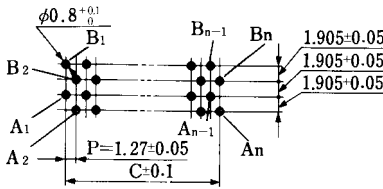
$$n = \frac{\text{Number of Contacts}}{2}$$



PCB mounting pattern

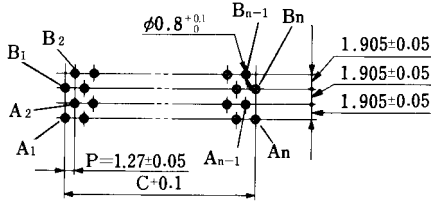


Mating Side



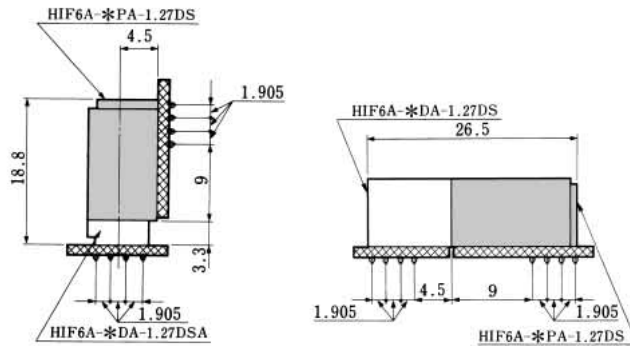
(20, 32, 40, 52, 60, 68, 80, 100 contacts)

Mating Side



(26, 34, 50 contacts)

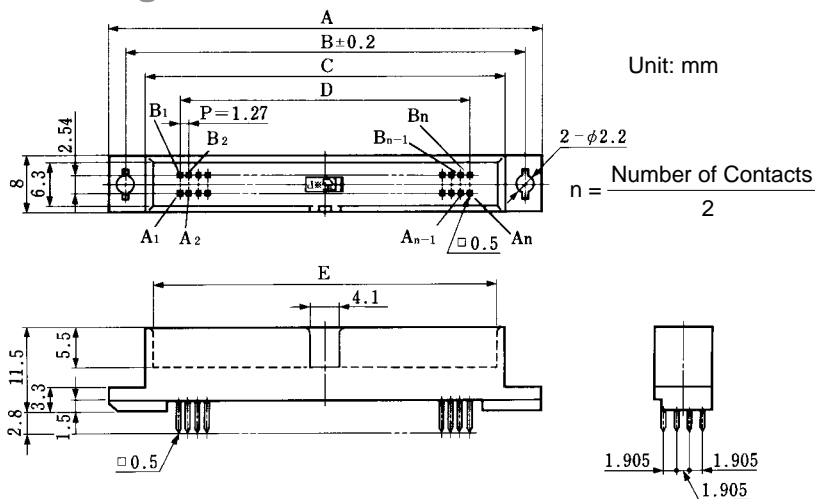
Application Pattern



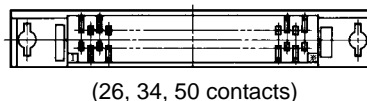
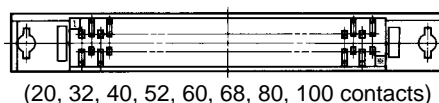
Unit: mm

Part Number	CL No.	Number of Contacts	A	B	C	RoHS
HIF6A- 20PA-1.27DS(71)	631-0201-0-71	20	20.95	18.75	11.43	YES
HIF6A- 26PA-1.27DS(71)	631-0202-2-71	26	24.76	22.56	15.24	
HIF6A- 32PA-1.27DS(71)	631-0203-5-71	32	28.57	26.37	19.05	
HIF6A- 34PA-1.27DS(71)	631-0204-8-71	34	29.84	27.64	20.32	
HIF6A- 40PA-1.27DS(71)	631-0205-0-71	40	33.65	31.45	24.13	
HIF6A- 50PA-1.27DS(71)	631-0206-3-71	50	40.00	37.80	30.48	
HIF6A- 52PA-1.27DS(71)	631-0207-6-71	52	41.27	39.07	31.75	
HIF6A- 60PA-1.27DS(71)	631-0208-9-71	60	46.35	44.15	36.83	
HIF6A- 68PA-1.27DS(71)	631-0209-1-71	68	51.43	49.23	41.91	
HIF6A- 80PA-1.27DS(71)	631-0210-0-71	80	59.05	56.85	49.53	
HIF6A-100PA-1.27DS(71)	631-0211-3-71	100	71.75	69.55	62.23	

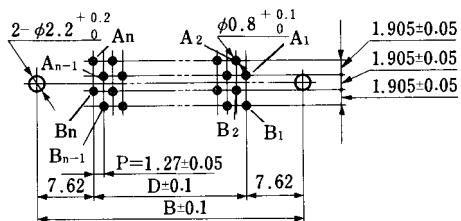
Pin Header Straight Type with Mounting hole



PCB mounting pattern

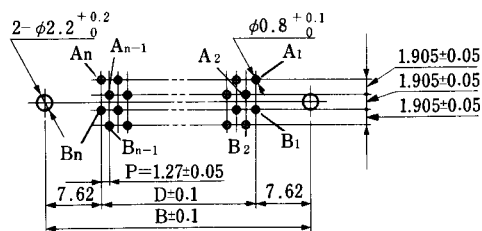


Guide Key Side



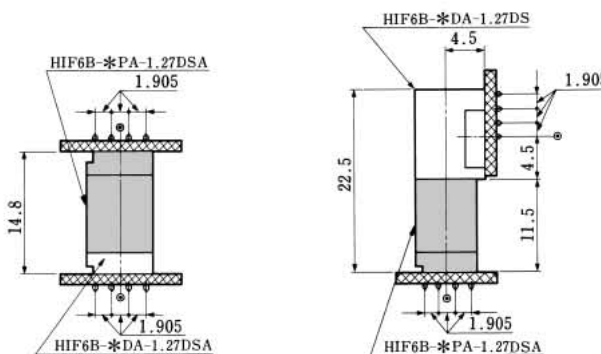
(20, 32, 40, 52, 60, 68, 80, 100 contacts)

Guide Key Side



(26, 34, 50 contacts)

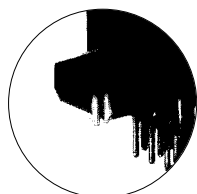
Application Pattern



○ Mounting hole center line

Unit: mm

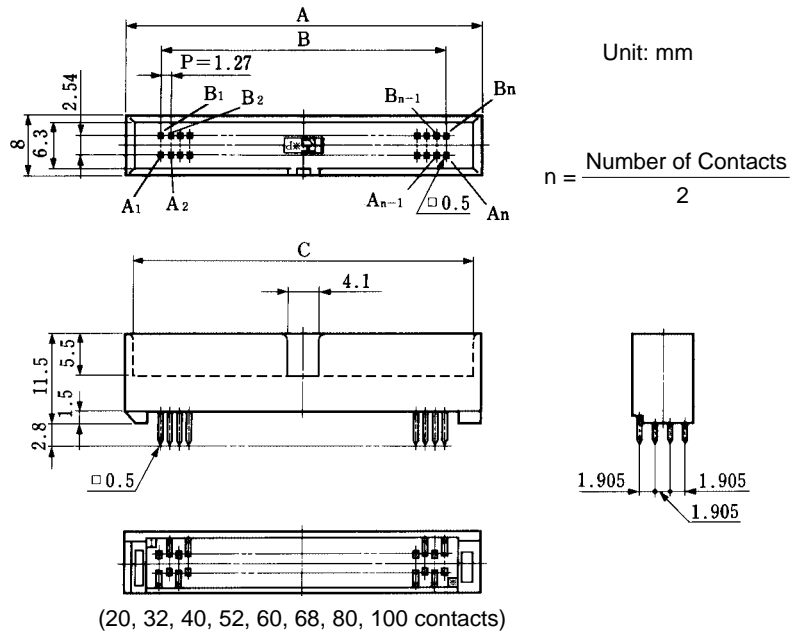
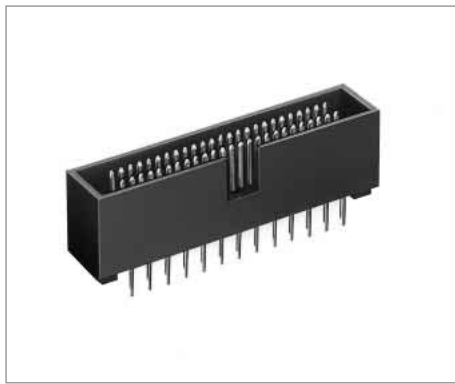
Part Number	CL No.	Number of Contacts	A	B	C	D	E	RoHS
HIF6B- 20PA-1.27DSA(71)	631-0351-2-71	20	30.95	26.67	20.95	11.43	18.75	YES
HIF6B- 26PA-1.27DSA(71)	631-0352-5-71	26	34.76	30.48	24.76	15.24	22.56	
HIF6B- 32PA-1.27DSA(71)	631-0353-8-71	32	38.57	34.29	28.57	19.05	26.37	
HIF6B- 34PA-1.27DSA(71)	631-0354-0-71	34	39.84	35.56	29.84	20.32	27.64	
HIF6B- 40PA-1.27DSA(71)	631-0355-3-71	40	43.65	39.37	33.65	24.13	31.45	
HIF6B- 50PA-1.27DSA(71)	631-0356-6-71	50	50.00	45.72	40.00	30.48	37.80	
HIF6B- 52PA-1.27DSA(71)	631-0357-9-71	52	51.27	46.99	41.27	31.75	39.07	
HIF6B- 60PA-1.27DSA(71)	631-0358-1-71	60	56.35	52.07	46.35	36.83	44.15	
HIF6B- 68PA-1.27DSA(71)	631-0359-4-71	68	61.43	57.15	51.43	41.91	49.23	
HIF6B- 80PA-1.27DSA(71)	631-0360-3-71	80	69.05	64.77	59.05	49.53	56.85	
HIF6B-100PA-1.27DSA(71)	631-0361-6-71	100	81.75	77.47	71.75	62.23	69.55	



*Lock pin type is also available.

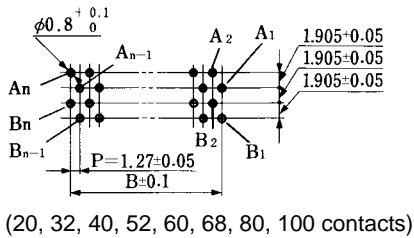
HIF6 Series 1.27mm Pitch Two-Piece Connector

Pin Header Straight Type Without Mounting hole

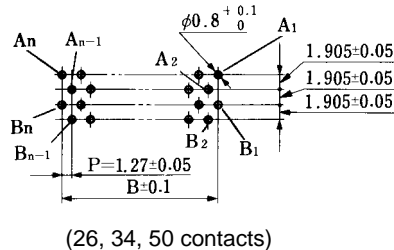


PCB mounting pattern

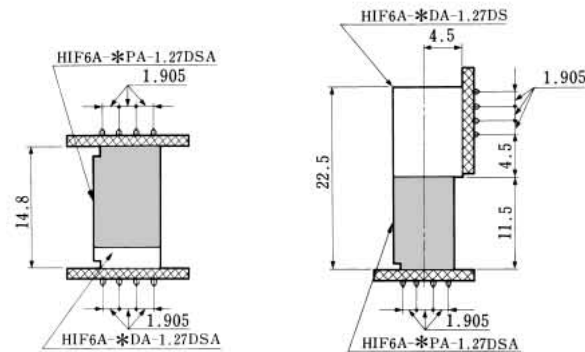
Guide Key Side



Guide Key Side



Application Pattern



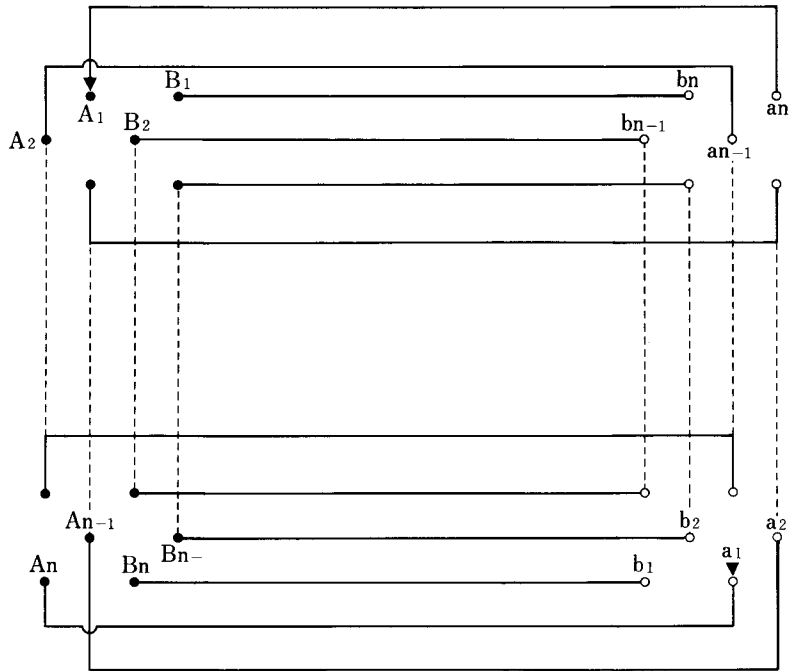
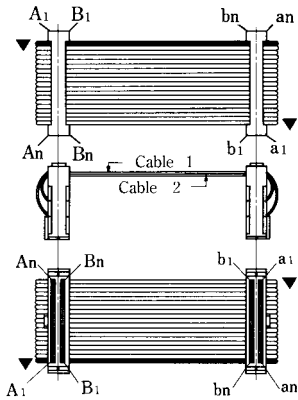
Unit: mm

Part Number	CL No.	Number of Contacts	A	B	C	RoHS
HIF6A- 20PA-1.27DSA(71)	631-0301-4-71	20	20.95	11.43	18.75	YES
HIF6A- 26PA-1.27DSA(71)	631-0302-7-71	26	24.76	15.24	22.56	
HIF6A- 32PA-1.27DSA(71)	631-0303-0-71	32	28.57	19.05	26.37	
HIF6A- 34PA-1.27DSA(71)	631-0304-2-71	34	29.84	20.32	27.64	
HIF6A- 40PA-1.27DSA(71)	631-0305-5-71	40	33.65	24.13	31.45	
HIF6A- 50PA-1.27DSA(71)	631-0306-8-71	50	40.00	30.48	37.80	
HIF6A- 52PA-1.27DSA(71)	631-0307-0-71	52	41.27	31.75	39.07	
HIF6A- 60PA-1.27DSA(71)	631-0308-3-71	60	46.35	36.83	44.15	
HIF6A- 68PA-1.27DSA(71)	631-0309-6-71	68	51.43	41.91	49.23	
HIF6A- 80PA-1.27DSA(71)	631-0310-5-71	80	59.05	49.53	56.85	
HIF6A-100PA-1.27DSA(71)	631-0311-8-71	100	71.75	62.23	69.55	

◆ **Connection Circuit** (20, 32, 40, 52, 60, 68, 80, 100 contacts)

Type A, B

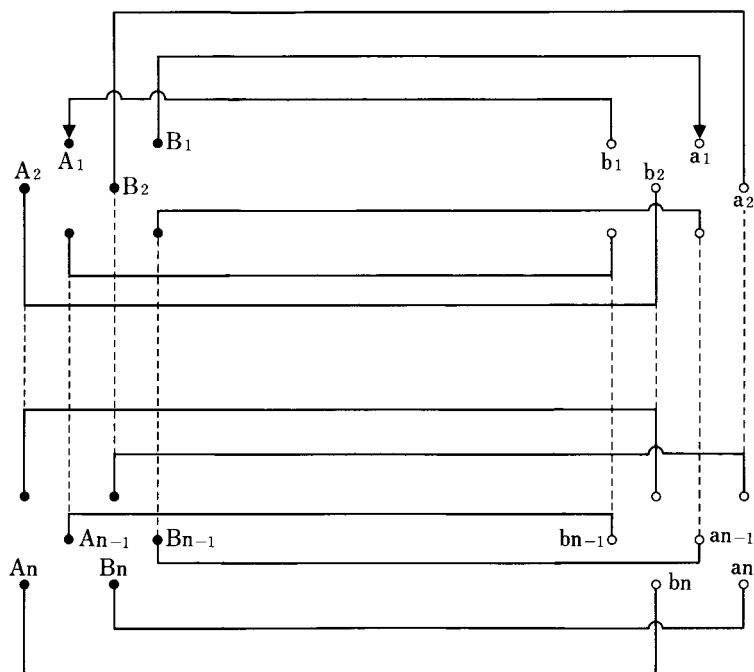
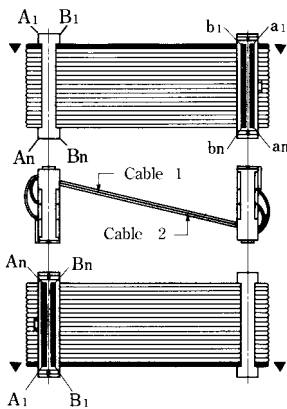
$$n = \frac{\text{Number of Contacts}}{2}$$



Connection of Cable 1 Connection of Cable 2

- | | |
|-----------|-----------|
| A1 — an | B1 — bn |
| A2 — an-1 | B2 — bn-1 |
| ⋮ | ⋮ |
| An — a1 | Bn — b1 |

Type A, A



Connection of Cable 1 Connection of Cable 2

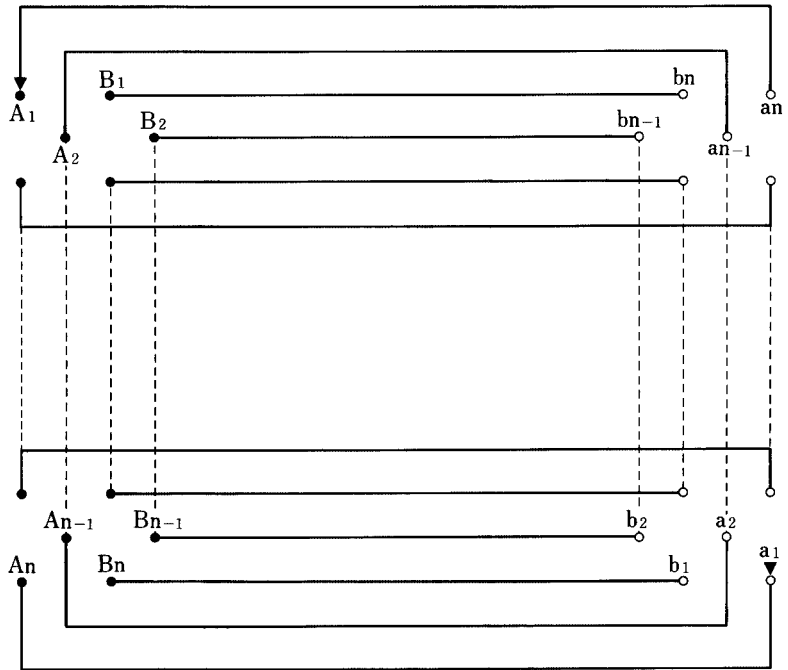
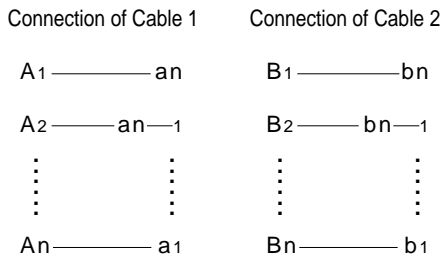
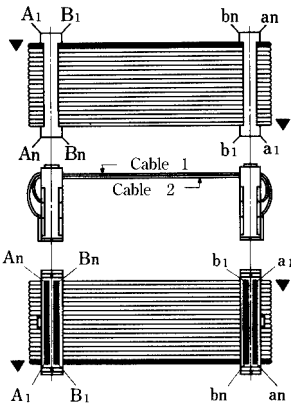
- | | |
|---------|---------|
| A1 — b1 | B1 — a1 |
| A2 — b2 | B2 — a2 |
| ⋮ | ⋮ |
| An — bn | Bn — an |

HIF6 Series 1.27mm Pitch Two-Piece Connector

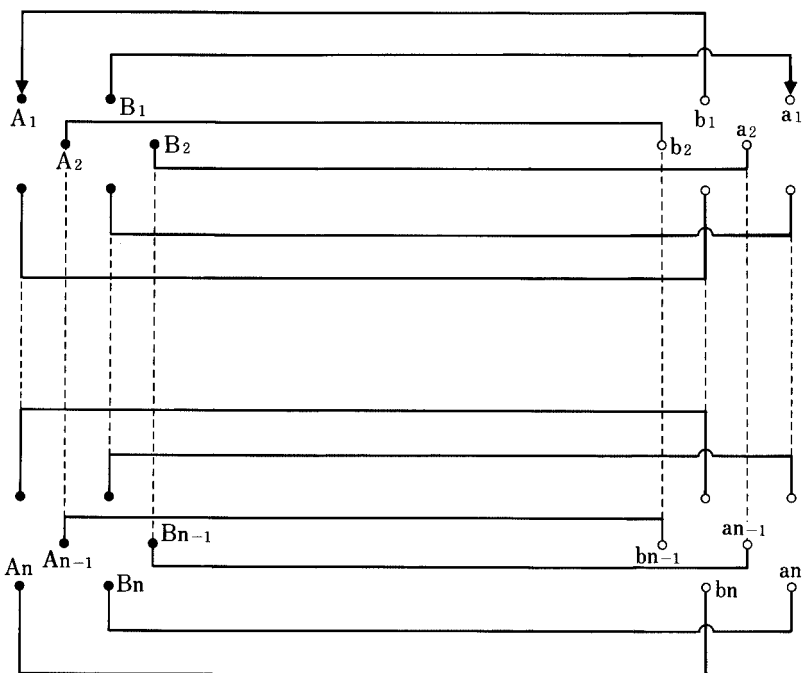
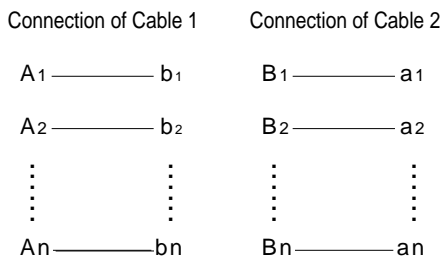
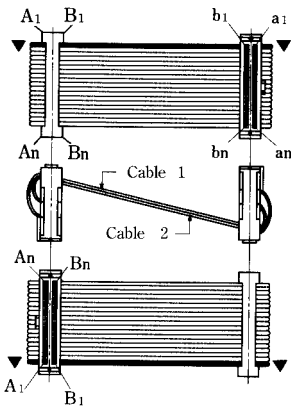
Connection Circuit (26, 40, 50 contacts)

Type A, B

$$n = \frac{\text{Number of Contacts}}{2}$$

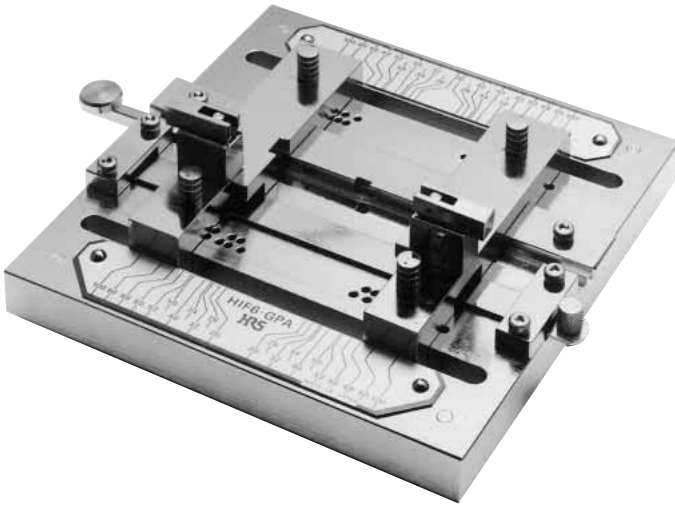


Type A, A



◆ Connection Jig

● Guide Plate



HIF 6 - GPA
CL550 - 0165 - 8

● Hi-Flex Connection Press



Hi-Flex Connection Press HHP502
CL550 - 0082 - 2

*Pressing Block

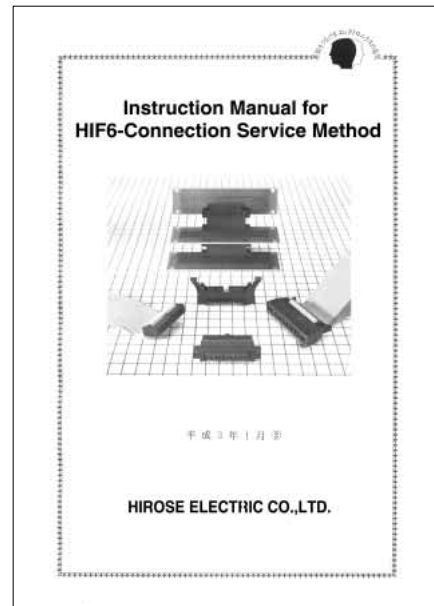
Part Number	CL No.
Pressing Block A-01	550-0133-1

● Cable Cutter



HIF6 Cable Cutter-FC601
CL550 - 0166 - 0

● Instruction Manual for HIF6 Connection Service Method



14 Pages

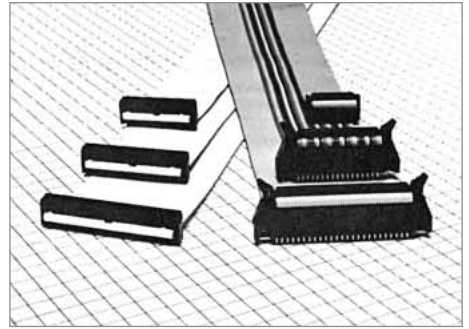
HIF6 Series ● 1.27mm Pitch Two-Piece Connector

■ HIF6 Series: Connection Type Coupled Connector

HIF3B Series (MIL-C-83503)

- Compliant with the MIL standard
- The VA idea is reflected on both pin header and socket.
- Products with pull-out tab are available.
- Countermeasures are taken against noises in combination with the applicable cover case.
- The type aligned in single-row, low profile type, is available for pin header locking system, in addition to standard products.

Number of contacts: 6, 10, 14, 16, 20, 26, 30, 34, 40, 50, 60, 64



HIF2 Series (Board direct mount type)

① 2-row parallel type (HIF2E)

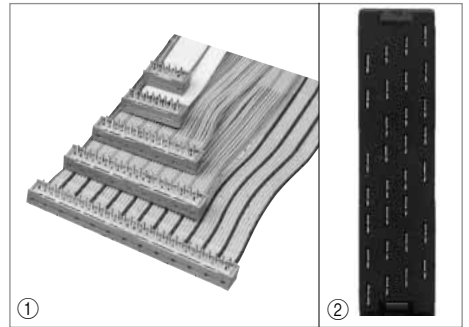
Number of contacts: 10, 14, 16, 20, 26, 30, 34, 40, 50, 60

2.54mm grid alignment facilitates to the design pattern.

② 4-row staggered type (HIF2C)

Number of contacts: 10, 14, 16, 20, 26, 30, 34, 40, 50, 60

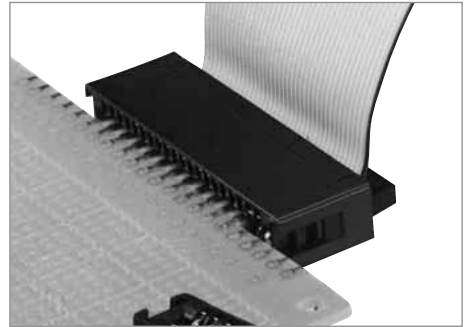
Mounting height is 4.9mm low profile type.



HIF5 Series (Card edge ribbon type)

- Three types of full hole, semi-hole and no mount area are provided for the unit mount area.
- Connectors are connected in the bus line system.
- Cables can be returned within the connector mold width.

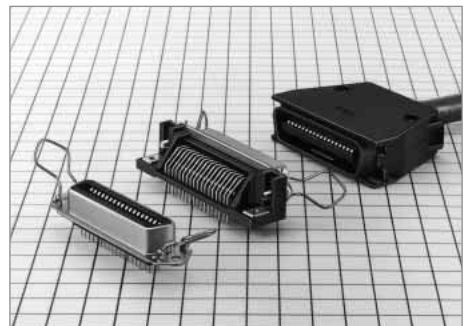
Number of contacts: 20, 26, 34, 40, 50, 60



RC Series (Micro ribbon connector)

- Since the cable insulation displacement area is standard pitch 1.27mm, the standard ribbon cable can be easily utilized.
- Countermeasures are taken against noises in combination with the cover case.
- Cover case is light weight and compact.
- Straight and right angle types are installed on the dip side.

Number of contacts: 14, 24, 36, 50



FD Series (D sub-ribbon connector)

- The standard pitch 1.27mm ribbon cable can be insulated and displaced by replacing a jig, in addition to the same pitch 1.38mm as for the D sub connector.
- The space saving type allows to reduce the thickness on the connection side according to set miniaturization.
- Connectors can be installed from both front and rear sides of the chassis or panel.

Number of contacts: 9, 15, 25, 37

