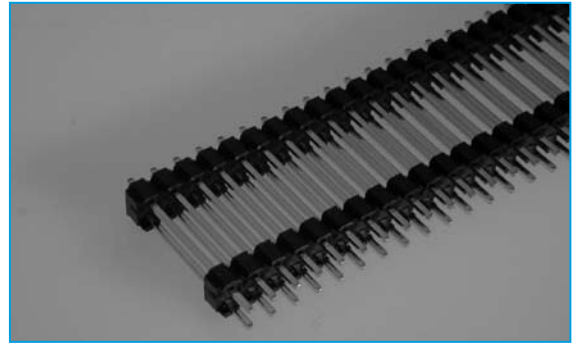


PIN HEADERS

- Industry Compatible
- Competitively priced
- Various plated contacts available
- Various pin lengths available
- 2.54mm pitch

DUAL BODY DOUBLE ROW



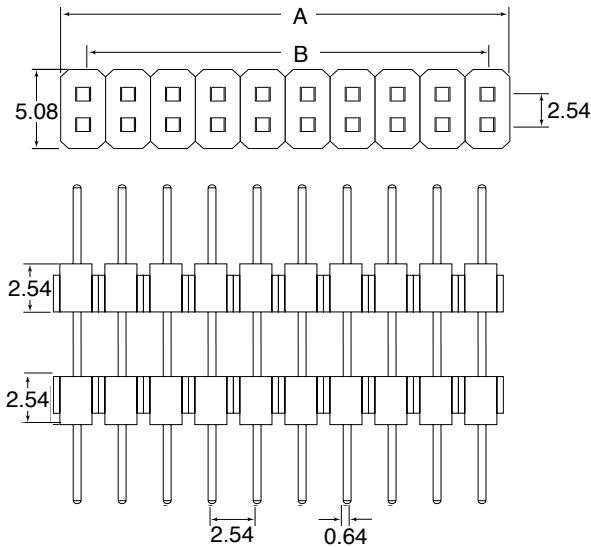
SECTION 8

SPECIFICATION

Material & Finish

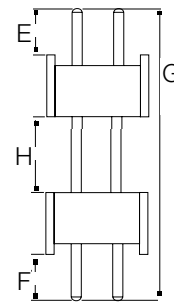
Contact Material:	Brass
Insulator Material:	PBT & Glass-Fibre Reinforced UL94V-0
Current Rating:	1 A DC
Contact Resistance:	30M Ω Max at 6V DC 0.3A
Insulator Resistance:	1000M Ω Min at 500V DC
Dielectric Withstanding	
Voltage:	500V AC for One Minute
Operating Temperature:	-40°C to + 105°C

OUTLINE DRAWING



$$A = 2.54 \times \text{Position No}$$

$$B = 2.54 \times (\text{Position No} - 1)$$



ORDERING INFORMATION

DBC	PH	C20	32	A	G	1	-XXX
Dubilier Connectors	Pin Header Connector	Series	No. of Ways	Contact Material	Contact Plating	Colour	Unique Special Code
			02= 2x2 Ways Thro to 40= 40x2 Ways	A= Brass	G= Gold Flash T= Tin Plated S= Selective	1= Black	*See below

*Dubilier will allocate a special code to distinguish the pins lengths E,H,F and G