

AS1153/55/57/58 Single/Dual LVDS Receivers

Data Sheet

1 General Description

The AS1153/55/57/58 are Single/Dual flow-through LVDS (low-voltage differential signaling) receivers which accept LVDS differential inputs and convert them to LVCMOS outputs. The receivers are perfect for low-power low-noise applications requiring high signaling rates and reduced EMI emissions.

The devices are guaranteed to receive data at speeds up to 260Mbps (130MHz) over controlled impedance media of approximately 100Ω. Supported transmission media are PCB traces, backplanes, and cables.

The AS1155/58 are single LVDS receivers, and the AS1153/57 are dual LVDS receivers.

The AS1157/58 features integrated parallel termination resistors (nominally 107Ω), which eliminate the requirement for discrete termination resistors, and reduce stub lengths. The AS1153/55 uses high impedance inputs and requires an external termination resistor when used in a point-to-point connection.

The integrated Failsafe feature sets the output high if the inputs are open, undriven and terminated, or undriven and shorted.

All inputs conform to the *ANSI TIA/EIA-644* LVDS standards. Flow-through pinout simplifies PC board layout and reduces crosstalk by separating the LVDS inputs and LVCMOS outputs.

The devices are available in a 8-pin SOIC package.

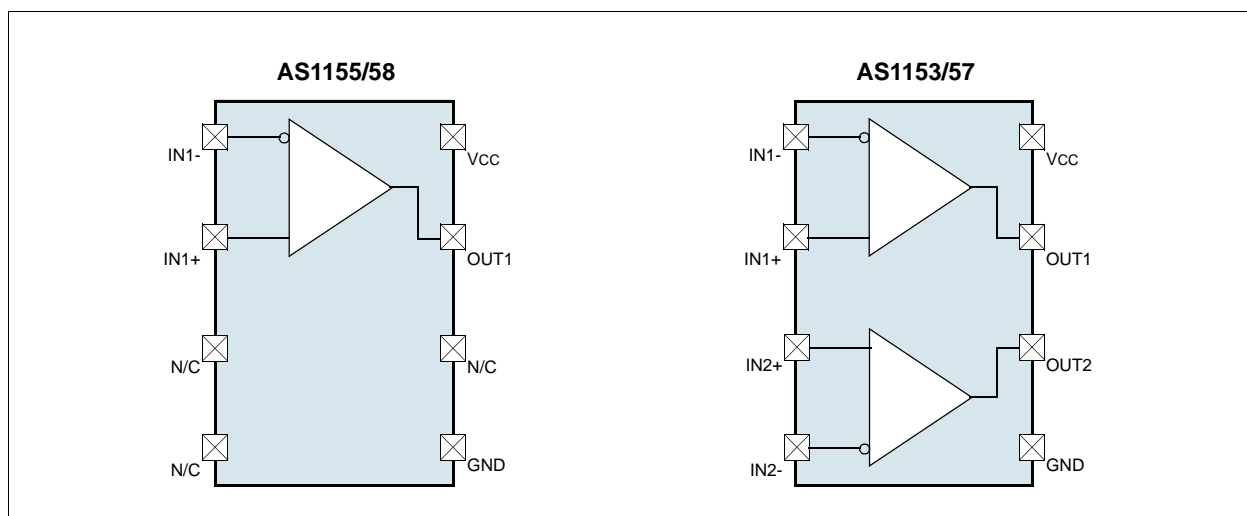
2 Key Features

- Flow-Through Pinout
- Guaranteed 260Mbps Data Rate
- 300ps Pulse Skew (Max)
- Conform to *ANSI TIA/EIA-644* LVDS Standards
- Single +3.3V Supply
- Operating Temperature Range: -40 to +85°C
- Failsafe Circuit
- Integrated Termination (AS1157/58)
- 8-pin SOIC Package

3 Applications

Digital Copiers, Laser Printers, Cellular Phone Base Stations, Add/Drop Muxes, Digital Cross-Connects, DSLAMs, Network Switches/Routers, Backplane Interconnect, Clock Distribution Computers, Intelligent Instruments, Controllers, Critical Microprocessors and Microcontrollers, Power Monitoring, and Portable/Battery-Powered Equipment.

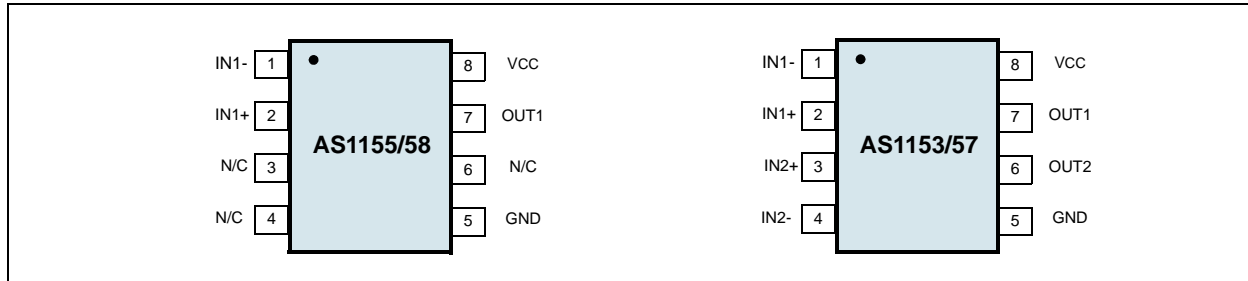
Figure 1. Block Diagrams



4 Pinout and Packaging

Pin Assignments

Figure 2. AS1153/55 and AS1157/58 Pin Assignments (Top View)



Pin Descriptions

Table 1. AS1153/55 and AS1157/58 Pin Descriptions

Pin Number		Pin Name	Description
AS1155/58	AS1153/57		
1	1	IN1-	Inverting Differential Receiver Input
2	2	IN1+	Noninverting Differential Receiver Input
	3	IN2+	Noninverting Differential Receiver Input
	4	IN2-	Inverting Differential Receiver Input
5	5	GND	Ground
	6	OUT2	LVC MOS/LVTTL Receiver Output
7	7	OUT1	LVC MOS/LVTTL Receiver Output
8	8	V _{CC}	Power-Supply Input. Bypass V _{CC} to GND with 0.1 μF and 0.001 μF ceramic capacitors.
3, 4, 6		N/C	Not connected

5 Absolute Maximum Ratings

Stresses beyond those listed in Table 2 may cause permanent damage to the device. These are stress ratings only, and functional operation of the device at these or any other conditions beyond those indicated in the operational sections of the specifications is not implied. Exposure to absolute maximum rating conditions for extended periods may affect device reliability.

Table 2. Absolute Maximum Ratings

Parameter	Min	Max	Units	Notes
V _{CC} to GND	-0.3	+5.0	V	
IN _{x+} , IN _{x-} to GND	-0.3	+5.0	V	
OUT _x to GND	-0.3	V _{CC} + 0.3	V	
Thermal Resistance Θ_{JA}		128	°C/W	Typical 4-layer application
Storage Temperature Range	-65	+150	°C	
Maximum Junction Temperature		+150	°C	
Operating Temperature Range	-40	+85	°C	
Package Body Temperature		+260	°C	The reflow peak soldering temperature (body temperature) specified is in compliance with <i>IPC/JEDEC J-STD-020C "Moisture/ Reflow Sensitivity Classification for Non-Hermetic Solid State Surface Mount Devices"</i> .
ESD Protection	-4	+4	kV	Human Body Model, IN _{x+} , IN _{x-}

6 Electrical Characteristics

DC Electrical Characteristics

$V_{CC} = +3.0$ to $+3.6$ V, Differential Input Voltage $|V_{ID}| = +0.1$ to $+1.0$ V, Common-Mode Voltage $V_{CM} = |V_{ID}|/2$ to 2.4 V - $|V_{ID}|/2$, $T_{AMB} = -40$ to $+85^{\circ}\text{C}$. Typical values are at $V_{CC} = +3.3$ V, $T_{AMB} = +25^{\circ}\text{C}$ (unless otherwise specified).

Table 3. DC Electrical Characteristics

Parameter	Symbol	Conditions	Min	Typ	Max	Unit	
LVDS Inputs (INx+, INx-)							
Differential Input High Threshold	V_{TH}				100	mV	
Differential Input Low Threshold	V_{TL}		-100			mV	
Input Current ¹ (AS1153/55)	I_{INx+} , I_{INx-}	$0.1\text{V} \leq V_{ID} \leq 0.6\text{V}$	-20		20	μA	
		$0.6\text{V} \leq V_{ID} \leq 1.0\text{V}$	-25		25	μA	
Differential Input Resistance (AS1157/58)	R_{DIFF}	$V_{CC} = 3.6\text{V}$ or 0, Figure 18 on page 9	90	107	132	Ω	
Differential Input Resistance (AS1153/55)	R_{DIFF}^2	$V_{CC} = 3.6\text{V}$ or 0, Figure 18 on page 9	40	100		k Ω	
LVC MOS/LVTTL Outputs (OUTx)							
Output High Voltage (Table 5)	V_{OH}	$I_{OH} = -4.0\text{mA}$ (AS1153/55)	Open, undriven short, or undriven 100 Ω parallel termination	2.7	3.2		V
			$V_{ID} = +100\text{mV}$	2.7	3.2		
		$I_{OH} = -4.0\text{mA}$ (AS1157/58)	Open or undriven short	2.7	3.2		
			$V_{ID} = +100\text{mV}$	2.7	3.2		
Output Low Voltage	V_{OL}	$I_{OL} = +4.0\text{mA}$, $V_{ID} = -100\text{mV}$		0.1	0.25	V	
Output Short-Circuit Current ³	I_{OS}	$V_{ID} = 100\text{mV}$, $V_{OUTx} = 0$	15			mA	
Supply							
Supply Current	I_{CC}	AS1153/55/57/58, Inputs open		0.6	2	mA	
		AS1155/58, $ V_{ID} = 200\text{mV}$		2.5	4.5	mA	
		AS1153/57, $ V_{ID} = 200\text{mV}$		4.5	8	mA	

1. Current into a pin is defined as positive. Current out of a pin is defined as negative. All voltages are referenced to ground except V_{TH} , V_{TL} , and V_{ID} .

2. $2 \times R_{IN} = R_{DIFF}$

3. Short only one output at a time. Do not exceed the absolute maximum junction temperature specification.

AC Electrical Characteristics

$V_{CC} = +3.0$ to $+3.6V$, $C_{LOAD} = 10pF$, Differential Input Voltage $|V_{ID}| = 0.2$ to $1.0V$, Common-Mode Voltage $V_{CM} = |V_{ID}/2|$ to $2.4V - |V_{ID}/2|$, Input Rise and Fall Time = $1ns$ (20 to 80%), Input Frequency = $100MHz$, $T_{AMB} = -40$ to $+85^{\circ}C$. Typical values are at $V_{CC} = +3.3V$, $V_{CM} = 1.2V$, $|V_{ID}| = 0.2V$, $T_{AMB} = +25^{\circ}C$ (unless otherwise specified).^{1, 2}

Table 4. AC Electrical Characteristics

Parameter	Symbol	Conditions	Min	Typ	Max	Unit
Differential Propagation Delay High-to-Low	tPHLD	Figure 20 on page 11 and Figure 21 on page 12	1	1.8	3.1	ns
Differential Propagation Delay Low-to-High	tPLHD	Figure 20 on page 11 and Figure 21 on page 12	1	1.8	3.1	ns
Differential Pulse Skew (tPHLD - tPLHD) ³	tSKD1	Figure 20 on page 11 and Figure 21 on page 12		250	600	ps
Differential Channel-to-Channel Skew ⁴	tSKD2	Figure 20 on page 11 and Figure 21 on page 12			600	ps
Differential Part-to-Part Skew ⁵	tSKD3	Figure 20 on page 11 and Figure 21 on page 12			0.8	ns
Differential Part-to-Part Skew ⁶	tSKD4	Figure 20 on page 11 and Figure 21 on page 12			1.5	ns
Rise Time	tTLH	Figure 20 on page 11 and Figure 21 on page 12		0.4	1.0	ns
Fall Time	tTHL	Figure 20 on page 11 and Figure 21 on page 12		0.4	1.0	ns
Maximum Operating Frequency ^{7, 8}	fMAX	All Channels Switching	130	160		MHz

Notes:

1. AC parameters are guaranteed by design and characterization.
2. CL includes scope probe and test jig capacitance.
3. tSKD1 is the magnitude difference of differential propagation delays in a channel. $tSKD1 = |tPHLD - tPLHD|$.
4. tSKD2 is the magnitude difference of the tPLHD or tPHLD of one channel and the tPLHD or tPHLD of any other channel on the same device.
5. tSKD3 is the magnitude difference of any differential propagation delays between devices operating over rated conditions at the same V_{CC} and within $5^{\circ}C$ of each other.
6. tSKD4 is the magnitude difference of any differential propagation delays between devices operating over rated conditions.
7. fMAX generator output conditions:
 - a. Rise time = fall time = $1ns$ (0 to 100%)
 - b. 50% duty cycle
 - c. $V_{OH} = +1.3V$
 - d. $V_{OL} = +1.1V$
8. Output criteria:
 - a. Duty cycle = 60% to 40%
 - b. $V_{OL} = 0.4V$ (max)
 - c. $V_{OH} = 2.7V$ (min)
 - d. Load = $10pF$

7 Typical Operating Characteristics

$V_{CC} = +3.3V$, $V_{CM} = +1.2V$, $|V_{ID}| = 0.2V$, $C_{LOAD} = 10pF$, $T_{AMB} = +25^{\circ}C$, unless otherwise noted.

Figure 3. Supply Current vs. Frequency

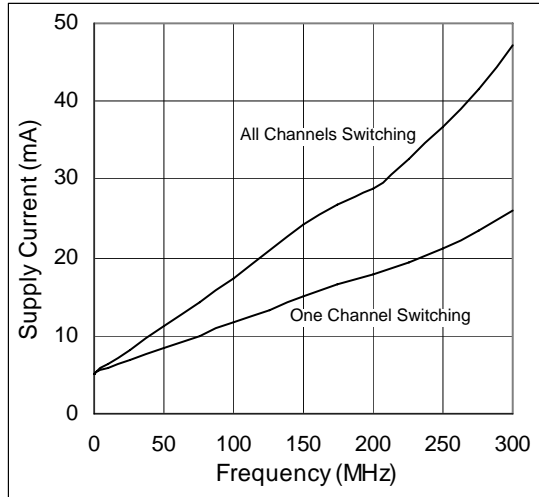


Figure 4. Supply Current vs. Temperature

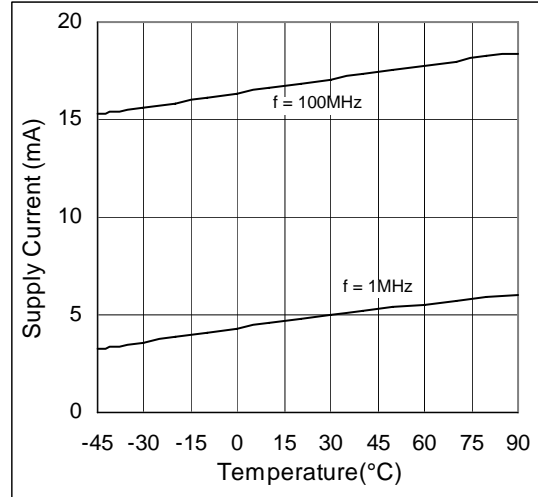


Figure 5. Diff. Threshold Voltage vs. Vcc

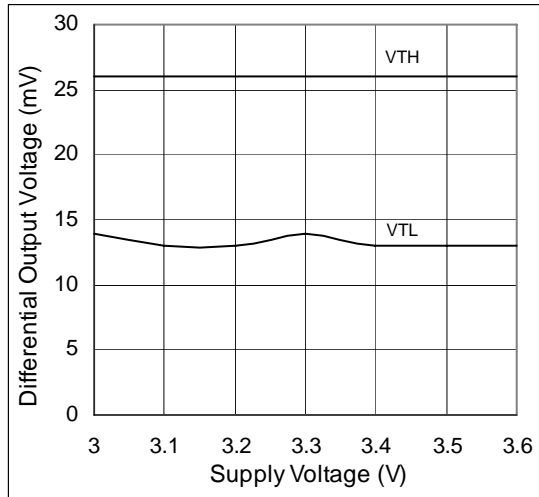


Figure 6. Output Short-Circuit Current vs. Vcc

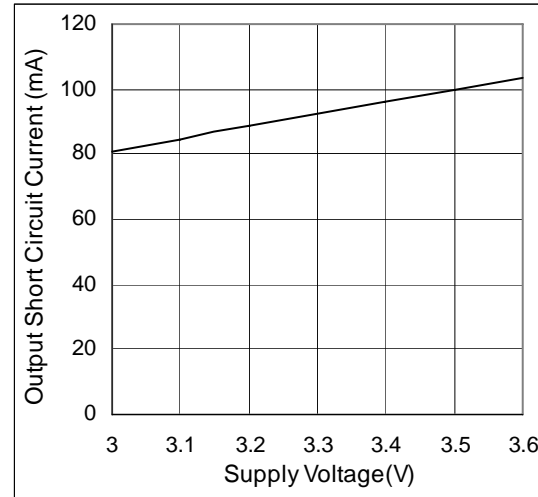


Figure 7. Output Low Voltage vs. Vcc

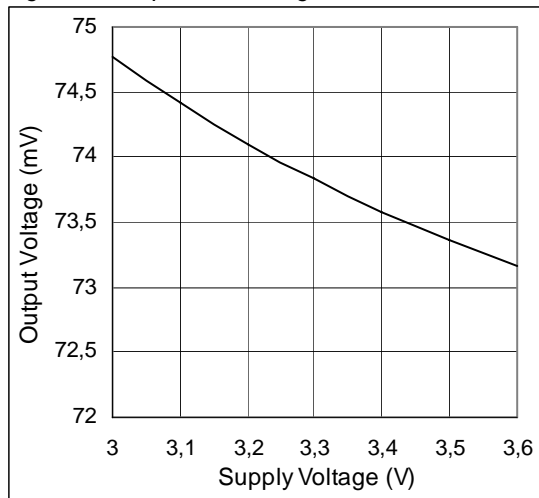


Figure 8. Output High Voltage vs. Vcc

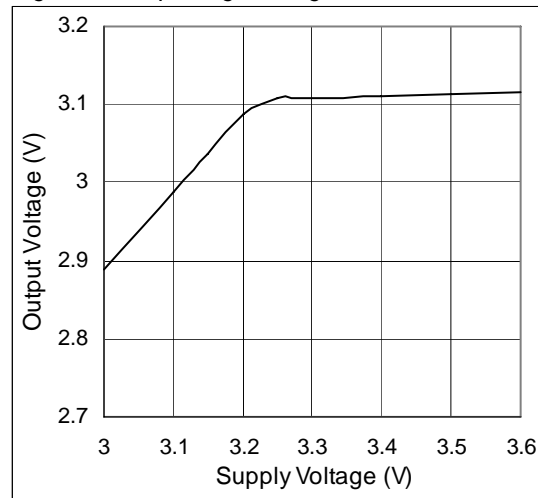


Figure 9. Differential Propagation Delay vs. Vcc

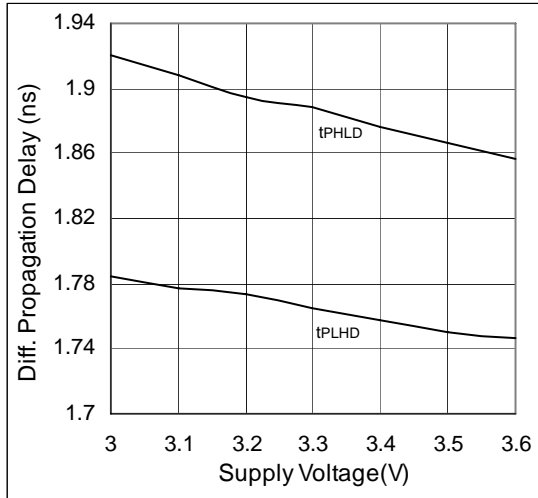


Figure 10. Differential Propagation Delay vs. Temp.

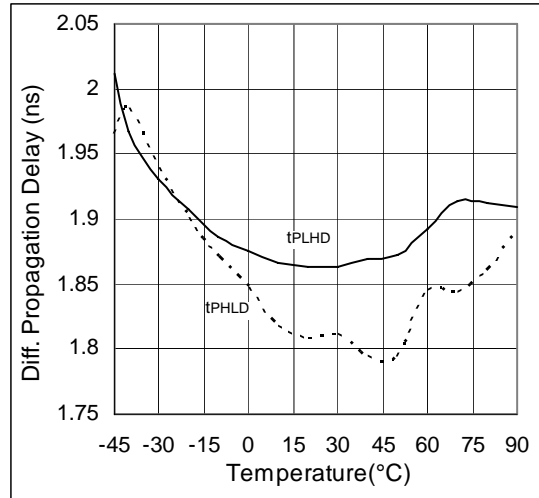


Figure 11. Differential Propagation Delay vs. Vcm

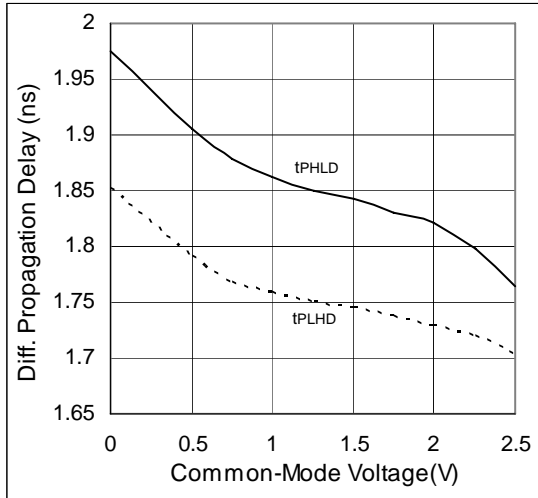


Figure 12. Differential Propagation Delay vs. Vid

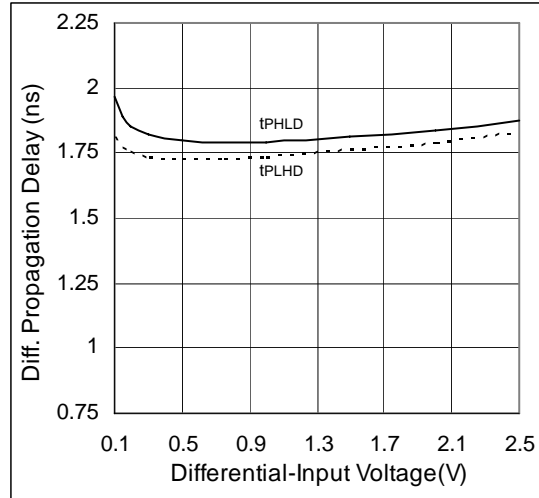


Figure 13. Differential Propagation Delay vs. Load

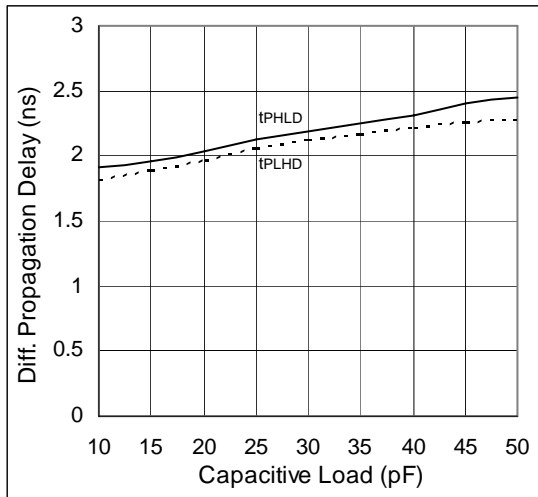


Figure 14. Differential Pulse Skew vs. Vcc

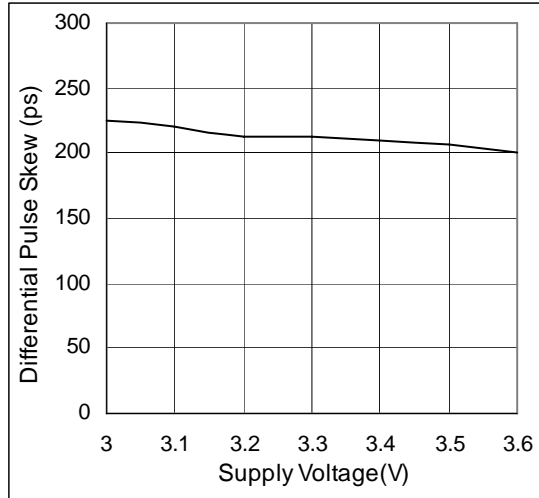


Figure 15. Transition Time vs. Capacitive Load

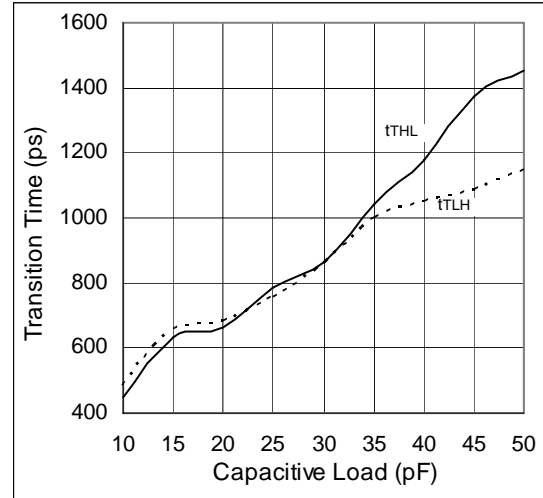


Figure 16. Transition Time vs. Vcc

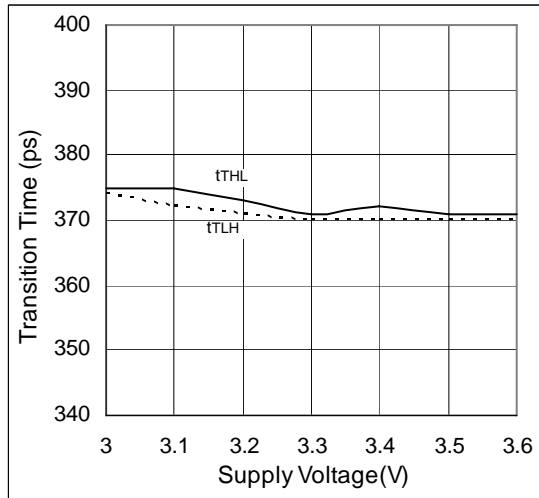
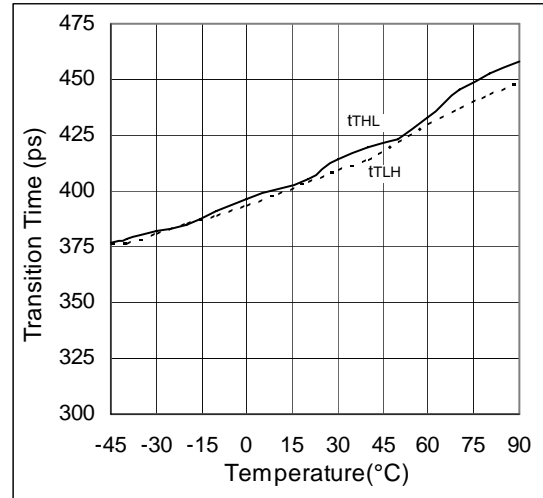


Figure 17. Transition Time vs. Temperature



8 Detailed Description

The AS1155/58 and AS1153/57 are 260Mbps, single/dual-channel LVDS receivers intended for high-speed, point-to-point, low-power applications. Each independent channel accepts and converts an LVDS input to an LVTTTL/LVCMOS output. The devices are capable of detecting differential signals from 100mV to 1V within an input voltage range of 0 to 2.4V.

The 250 to 450mV differential output of an LVDS driver is nominally centered around 1.25V. Due to the receiver input voltage range, a $\pm 1V$ voltage shift in the signal relative to the receiver is allowed. Thus, a difference in ground references of the transmitter and the receiver, as well as the common mode effect of coupled noise, can be tolerated.

LVDS Interface

The LVDS Interface Standard is a signaling method defined for point-to-point communication over a controlled-impedance medium as defined by the *ANSI TIA/EIA-644* and *IEEE 1596.3* standards. The LVDS standard uses a lower voltage swing than other common communication standards, resulting in higher data rates, reduced power consumption and EMI emissions, and less susceptibility to noise.

The devices fully comply with the LVDS standard input voltage range of 0 to +2.4V referenced to receiver ground.

The AS1157/58 has an integrated termination resistors connected internally across each receiver input. This internal termination saves board space, eases layout, and reduces stub length compared to an external termination resistor. In other words, the transmission line is terminated on the IC.

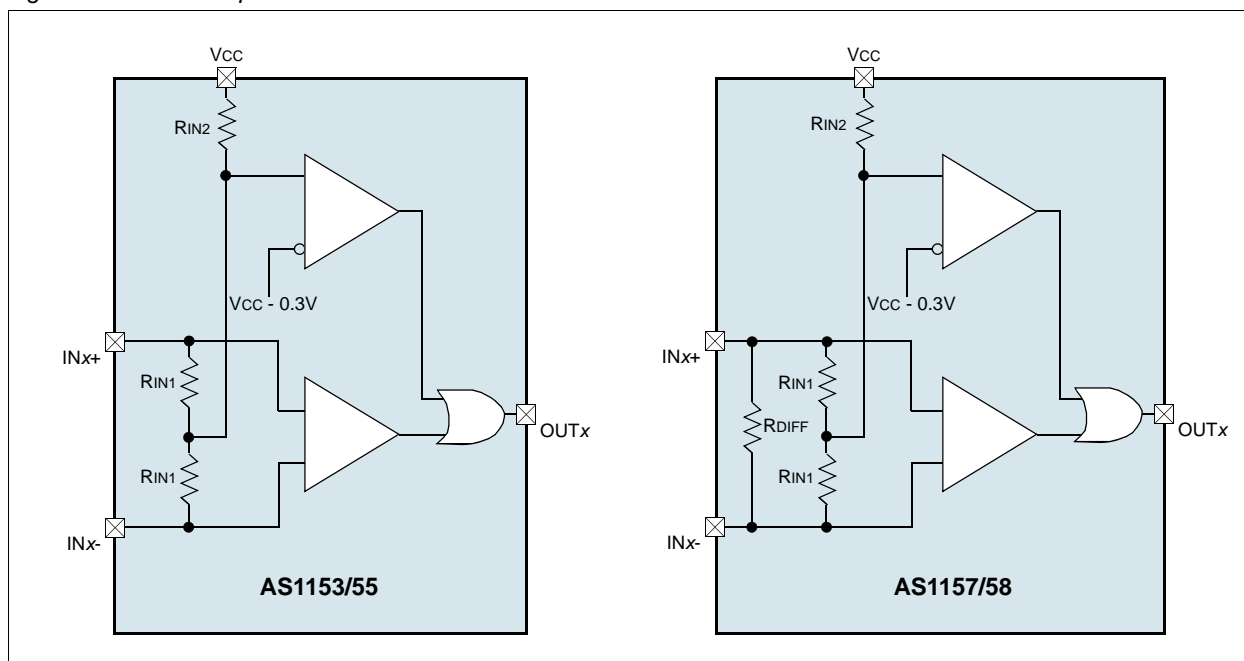
Failsafe Circuit

The devices contain an integrated Failsafe circuit to prevent noise at inputs that are open, undriven and terminated, or undriven and shorted.

Open or undriven terminated input conditions can occur if there is a cable failure or when the LVDS driver outputs are high impedance. A short condition also can occur because of a cable failure. The Failsafe circuit of the AS1153/55 and AS1157/58 automatically sets the output high if any of these conditions are true.

The Failsafe input circuit (see Figure 18) samples the input common-mode voltage and compares it to $V_{CC} - 0.3V$ (nominal). If the input is driven to levels specified in the LVDS standards, the input common-mode voltage is less than $V_{CC} - 0.3V$ and the Failsafe circuit is not activated. If the inputs are open, undriven and shorted, or undriven and parallel terminated, there is no input current. In this case, a pullup resistor in the Failsafe circuit pulls both inputs above $V_{CC} - 0.3V$, activating the Failsafe circuit and thus forcing the device output high.

Figure 18. Failsafe Input Circuit

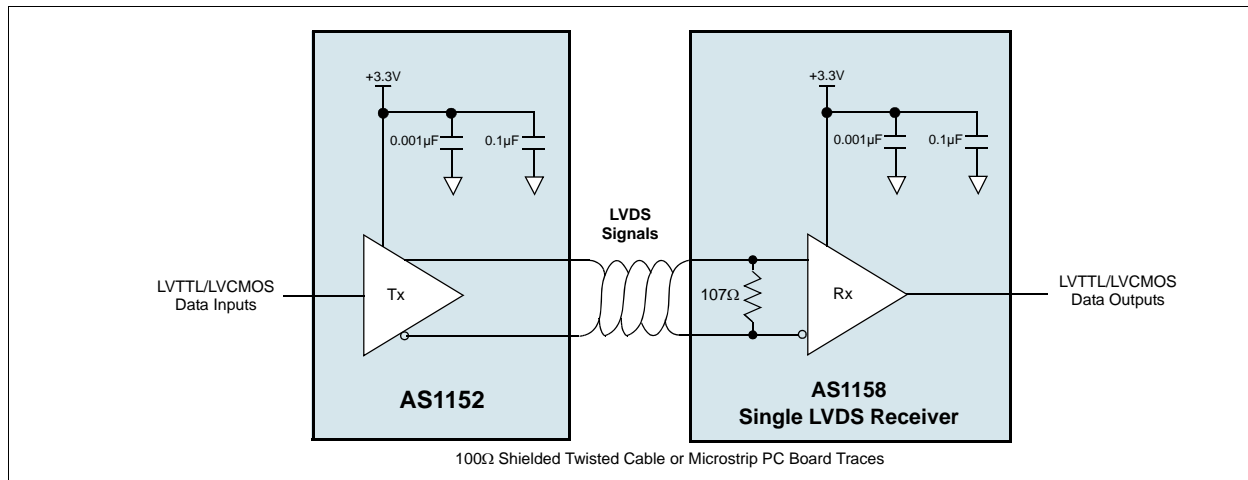


9 Applications

Table 5. Function Table

Input		Output
INx+	INx-	OUTx
$V_{ID} \geq +100\text{mV}$		H
$V_{ID} \leq +100\text{mV}$		L
AS1153/55 – Open, undriven short, or undriven 100 Ω parallel termination		H
AS1157/58 – Open or undriven short		

Figure 19. Typical Application Circuit



Power-Supply Bypassing

To bypass VCC, use high-frequency surface-mount ceramic 0.1 μF and 0.001 μF capacitors in parallel as close to the device as possible, with the smaller valued capacitor closest to pin VCC.

Differential Traces

Input trace characteristics can adversely affect the performance of the AS1155/58 and AS1153/57.

- Use controlled-impedance PC board traces to match the cable characteristic impedance. The termination resistor must also be matched to this characteristic impedance.
- Eliminate reflections and ensure that noise couples as common mode by running differential traces close together.
- Reduce skew by using matched trace lengths. Tight skew control is required to minimize emissions and proper data recovery of the devices.
- Route each channel's differential signals very close to each other for optimal cancellation of their respective external magnetic fields. Use a constant distance between the differential traces to avoid irregularities in differential impedance.
- Avoid 90° turns (use two 45° turns).
- Minimize the number of vias to further prevent impedance irregularities.

Cables and Connectors

Supported transmission media include printed circuit board traces, backplanes, and cables.

- Use cables and connectors with matched differential impedance (typically 100Ω) to minimize impedance mismatches.
- Balanced cables such as twisted pair offer superior signal quality and tend to generate less EMI due to magnetic field canceling effects. Balanced cables pick up noise as common mode, which is rejected by the LVDS receiver.
- Avoid the use of unbalanced cables such as ribbon cable or simple coaxial cable.

Termination

Due to the high data rates of LVDS drivers, matched termination will prevent the generation of any signal reflections, and reduce EMI.

- The AS1157/58 has integrated termination resistors connected across the inputs of each receiver. The value of the integrated resistor is specified in Table 3.
- The AS1153/55 requires an external termination resistor. The termination resistor should match the differential impedance of the transmission line and be placed as close to the receiver inputs as possible. Termination resistance values may range between 90 to 132Ω depending on the characteristic impedance of the transmission medium. Use 1% surface-mount resistors.

Board Layout

The device should be placed as close to the interface connector as possible to minimize LVDS trace length.

- Keep the LVDS and any other digital signals separated from each other to reduce crosstalk.
- Use a four-layer PC board that provides separate power, ground, LVDS signals, and input signals.
- Isolate the input LVDS signals from each other and the output LVCMOS/LVTTL signals from each other to prevent coupling.
- Separate the input LVDS signals from the output signals planes with the power and ground planes for best results.

Figure 20. Propagation Delay and Transition Time Test Circuit

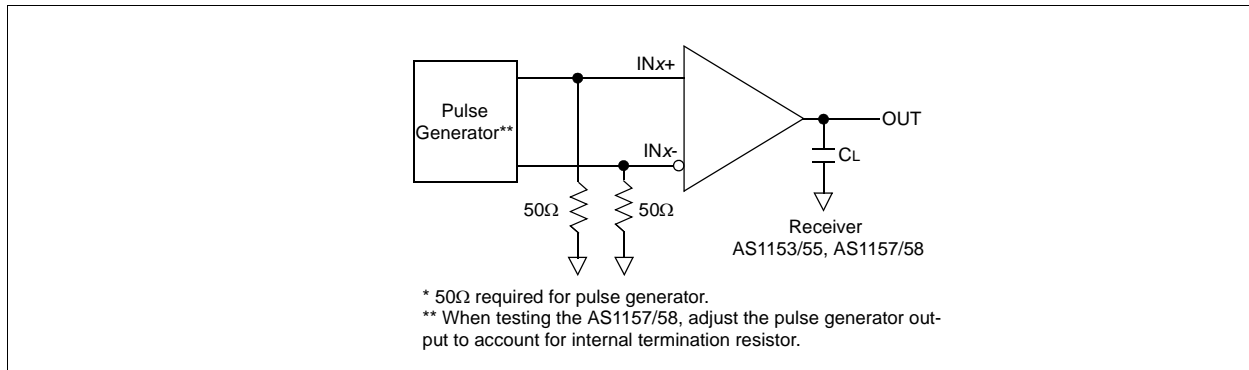
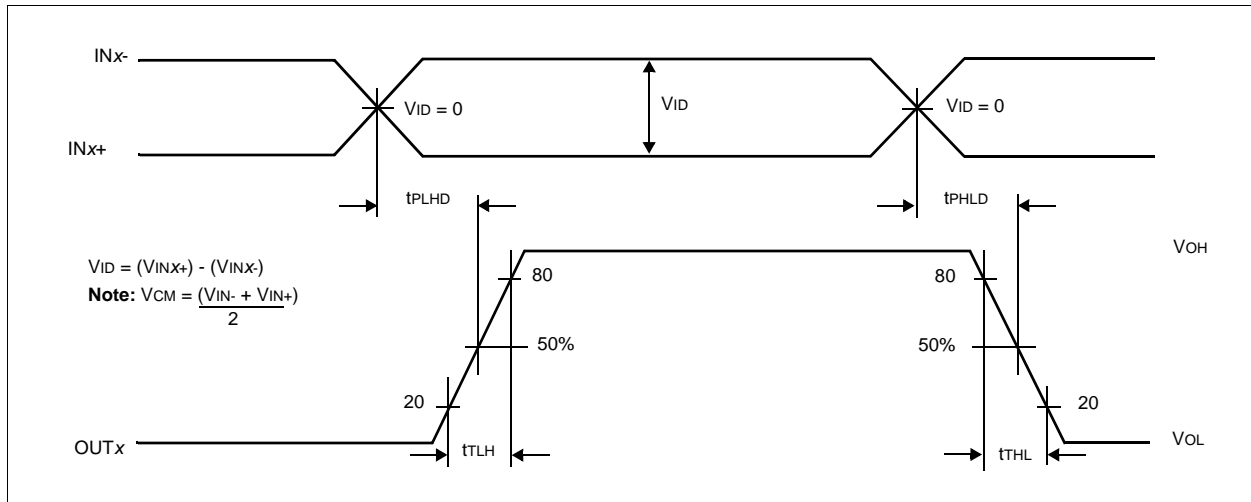


Figure 21. Propagation Delay and Transition Time Waveforms



10 Package Drawings and Markings

The AS1155/58 and AS1153/57 are available in a 8-pin SOIC package.

Figure 22. 8-pin SOIC Package Diagram

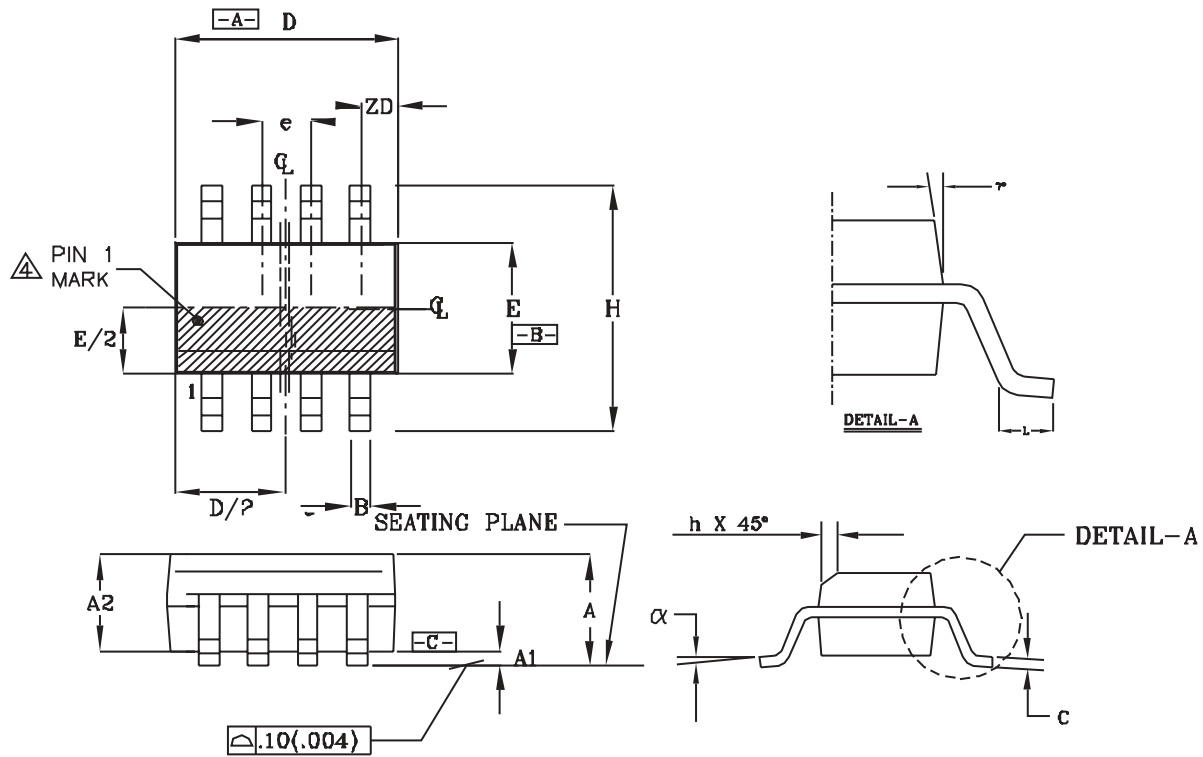


Table 6. 8-pin SOIC Package Dimensions

SOIC - 8LD					
Symbol	MILLIMETERS		Symbol	MILLIMETERS	
	MIN	MAX		MIN	MAX
A1	0.10	0.25	h	0.25	0.50
B	0.36	0.48	L	0.41	1.27
D	4.80	4.98	A	1.52	1.72
E	3.81	3.99		0°	8°
e	1.27 BSC		ZD	0.53 REF	
H	5.80	6.20	A2	1.37	1.57

Note:

- Lead coplanarity should be 0 to 0.10MM max.
- Package surface finishing:
Top: Matte (Charmilles #18~30)
All Sides: Matte (Charmilles #18~30)
Bottom: Smooth or Matte (Charmilles #18~30)
- All dimension excluding Mold Flashes and End Flash from the package body shall not exceed 0.25MM per side (D)
- Details of PIN #1 identifier are optional, but must be located within the zone indicated.

11 Ordering Information

Part Number	Marking	Description	Delivery Form	Package Type
AS1155	AS1155	Single LVDS Receiver	Tubes	8-pin SOIC
AS1155-T	AS1155	Single LVDS Receiver	Tape and Reel	8-pin SOIC
AS1158	AS1158	Single LVDS Receiver, with termination	Tubes	8-pin SOIC
AS1158-T	AS1158	Single LVDS Receiver, with termination	Tape and Reel	8-pin SOIC
AS1153	AS1153	Dual LVDS Receiver	Tubes	8-pin SOIC
AS1153-T	AS1153	Dual LVDS Receiver	Tape and Reel	8-pin SOIC
AS1157	AS1157	Dual LVDS Receiver, with termination	Tubes	8-pin SOIC
AS1157-T	AS1157	Dual LVDS Receiver, with termination	Tape and Reel	8-pin SOIC

Copyrights

Copyright © 1997-2007, austriamicrosystems AG, Schloss Premstaetten, 8141 Unterpremstaetten, Austria-Europe. Trademarks Registered ®. All rights reserved. The material herein may not be reproduced, adapted, merged, translated, stored, or used without the prior written consent of the copyright owner.

All products and companies mentioned are trademarks or registered trademarks of their respective companies.

Disclaimer

Devices sold by austriamicrosystems AG are covered by the warranty and patent indemnification provisions appearing in its Term of Sale. austriamicrosystems AG makes no warranty, express, statutory, implied, or by description regarding the information set forth herein or regarding the freedom of the described devices from patent infringement. austriamicrosystems AG reserves the right to change specifications and prices at any time and without notice. Therefore, prior to designing this product into a system, it is necessary to check with austriamicrosystems AG for current information. This product is intended for use in normal commercial applications. Applications requiring extended temperature range, unusual environmental requirements, or high reliability applications, such as military, medical life-support or life-sustaining equipment are specifically not recommended without additional processing by austriamicrosystems AG for each application. For shipments of less than 100 parts the manufacturing flow might show deviations from the standard production flow, such as test flow or test location.

The information furnished here by austriamicrosystems AG is believed to be correct and accurate. However, austriamicrosystems AG shall not be liable to recipient or any third party for any damages, including but not limited to personal injury, property damage, loss of profits, loss of use, interruption of business or indirect, special, incidental or consequential damages, of any kind, in connection with or arising out of the furnishing, performance or use of the technical data herein. No obligation or liability to recipient or any third party shall arise or flow out of austriamicrosystems AG rendering of technical or other services.



Contact Information

Headquarters

austriamicrosystems AG
A-8141 Schloss Premstaetten, Austria

Tel: +43 (0) 3136 500 0
Fax: +43 (0) 3136 525 01

For Sales Offices, Distributors and Representatives, please visit:

<http://www.austriamicrosystems.com/contact>