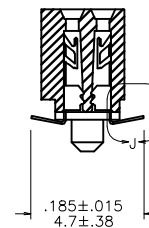
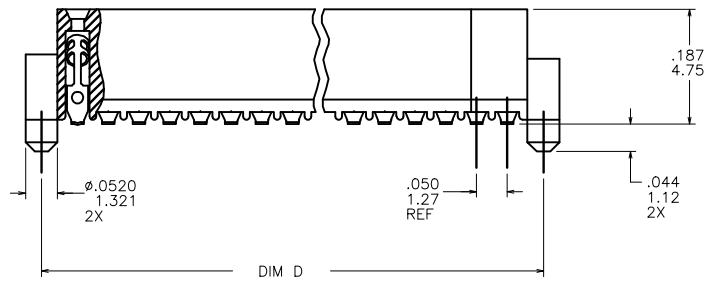
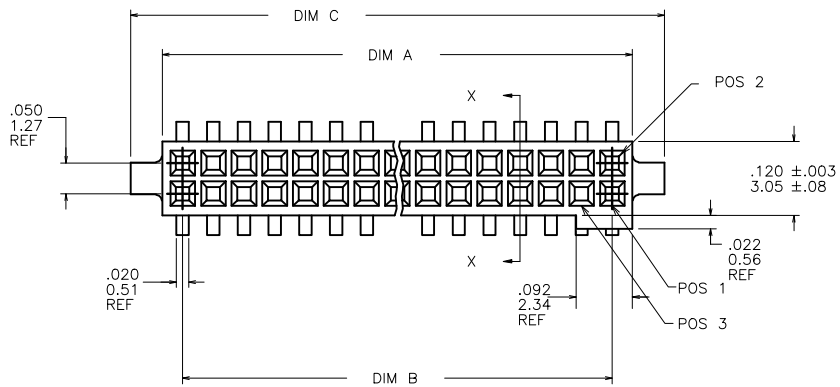
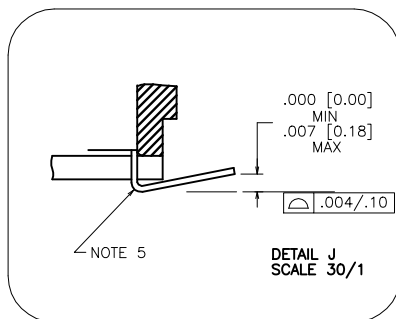


PRODUCT NUMBER
SEE TABLE



SECTION X-X



mat'l. code		surface		tolerance		projection		product family	
-		ISO 1302		ISO 406 ISO 1101				RIB CAGE	
lir	ecm no	dr	date	tolerance unless otherwise specified				title	
X	V11674	CRG	02/28/02	linear	XX±.01/XX±0.3	INCH/MM		.050cc VERT. SMT.	
Y	V20420	CRG	2/28/02	±z	XXX±.005/XXX±0.13	scale 1:1		W/LOC. & POL. FEATURE	
AA	M05-0123	MHT	6/06/05		XXXX1.0020/XXXX±0.051			dwg no	
AB	M06-0284	AEA	7/27/06	dr	M. CLOUSER	6/26/91		sheet 1 of 3 size	
AC	M08-0053	CMR	2/27/08	eng	B. BARUFFALO	6/26/91		87024 A3	
AD	M09-0058	CMR	4/06/09	chr	B. BARUFFALO	6/26/91		type	
AE	M09-0071	MHT	4/30/09	app	B. BARUFFALO	6/26/91		Product Customer Drawing	
sheet	revision	AE	AE	AE					
index	sheet	1	2	3					



FCIconnect.com

Copyright FCI

form A3

PRODUCT NO. NOTE 9	SIZE	DIM A	DIM B	DIM C	DIM D	SPECIAL PACKAGING	TAPE WIDTH PITCH	PIECES PER REEL
87024-605	2 X 5	.266/6.756	.200/5.08	.370/9.398	.3200/8.128	NOTE 6	24mm / 12mm	750
-610	2 X 10	.516/13.106	.450/11.43	.620/15.748	.5700/14.478	NOTE 6	24mm / 12mm	750
-610P	2 X 10	.516/13.106	.450/11.43	.620/15.748	.5700/14.478	NOTE 8	24mm / 16mm	500
-615	2 X 15	.766/19.456	.700/17.78	.870/22.098	.8200/20.828	NOTE 6	44mm / 12mm	500
-620	2 X 20	1.016/25.806	.950/24.13	1.120/28.448	1.0700/27.178	NOTE 7	-----	
-625	2 X 25	1.266/32.156	1.200/30.48	1.370/34.798	1.3200/33.528	NOTE 6	56mm / 12mm	500
-630	2 X 30	1.516/38.506	1.450/36.83	1.620/41.148	1.5700/39.878	NOTE 6 & 7	56mm / 12mm	500
-635	2 X 35	1.766/44.856	1.700/43.18	1.870/47.498	1.8200/46.228	NO	-----	
-640	2 X 40	2.016/51.206	1.950/49.53	2.120/53.848	2.0700/52.578	NOTE 6 & 7	56mm / 12mm	500
-645	2 X 45	2.266/57.556	2.200/55.88	2.370/60.198	2.3200/58.928	NO	-----	
87024-650	2 X 50	2.516/63.906	2.450/62.23	2.620/66.548	2.5700/65.278	NOTE 7	-----	
87024-605LF	2 X 5	.266/6.756	.200/5.08	.370/9.398	.3200/8.128	NOTE 6	24mm / 12mm	750

NOTES:

- ① HOUSING MATERIAL:
LCP GLASS FILLED FLAME RETARDANT PER UL 94V-0
COLOR: NATURAL
- ② TERMINAL MATERIAL: BeCu
- ③ TERMINAL PLATING:
30u"/.76u MIN HARD GOLD OVER Ni ON CONTACT ZONES,
100u"/2.54u MIN TIN LEAD OVER Ni IN SOLDERING ZONES,
OTHERWISE GOLD FLASH OR UNPLATED.
LEAD FREE OPTION:
30u"/.76u MIN HARD GOLD OVER Ni ON CONTACT ZONES,
100u"/2.54u MIN TIN OVER Ni IN SOLDERING ZONES,
OTHERWISE GOLD FLASH OR UNPLATED.
- 4 APPLICATION INFORMATION:
A. RECOMMENDED MOUNTING PAD PATTERN IS
SHOWN IN FIGURE "A".
B. MATING PINS TO BE .0176/-.447 TO .0181/-.459 DIA.
C. MATING PIN TIPS TO BE IN TRUE POSITION TO MATING
GRID WITHIN .006/-.15 DIA.
D. SUGGESTED MATING PIN LENGTH .130/3.30
±.010/-.25.
- ⑤ LEAD TIPS TO BE ABOVE HEEL UP TO .007/0.18 MAX.
COPLANARITY TO BE MEASURED AT LOWEST POINT (HEEL).
- ⑥ ADD "TR" TO END OF DASH NUMBER FOR TAPE AND
REEL PACKAGING WITH CAP.
TOOLED ONLY FOR NOTED CONNECTORS.
- ⑦ ADD "CT" TO END OF DASH NUMBER FOR CONNECTOR WITH CAP FOR
VACUUM PICKUP IN TUBE.
- ⑧ CUSTOMER SPECIAL, TAPE AND REEL PACKAGING, TOOLED
ONLY FOR NOTED CONNECTOR.
- ⑨ ADD "LF" SUFFIX AT THE END OF PART NUMBER FOR LEAD FREE OPTION.
10. IF LF P/N THE PRODUCT MEETS EUROPEAN UNION DIRECTIVES AND OTHER
COUNTRY REGULATION AS DESCRIBED IN GS-22-008.
11. THE HOUSING WILL WITHSTAND EXPOSURE TO 260°C PEAK TEMPERATURE
FOR 20 SECONDS IN A CONVECTION, INFRA-RED OR VAPOR PHASE REFLOW
OVEN. SEE APPLICATION NOTES/PROCEDURES IF THEY ARE AVAILABLE.

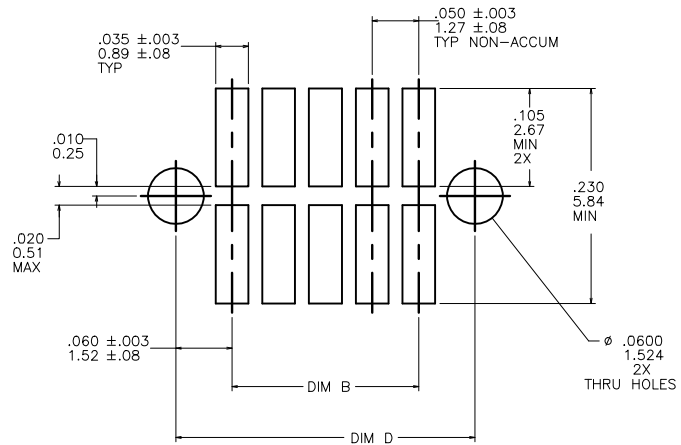


FIGURE A
RECOMMENDED
P.C.B. LAYOUT

mat'l. code	surface	tolerance	projection	product family
-	ISO 1302	ISO 406 ISO 1101	ASME Y14.5	RIB CAGE
tolerances unless otherwise specified				
linear	XX±.01/XX±0.3	INCH/MM		
angular	XXX±.005/XXX±0.13			
σ±z	XXXX.0020/XXXX±0.051	scale 1:1		
dr	M. CLOUSER	6/26/91		
engr	B. BARUFFALO	6/26/91		
chr	B. BARUFFALO	6/26/91		
appd	B. BARUFFALO	6/26/91		
sheet	revision			
index	sheet			

title
RIB CAGE

.050cc VERT. SMT.
W/LOC. & POL. FEATURE

dwg no 87024 sheet 2 of 3 size A3

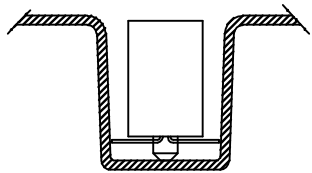
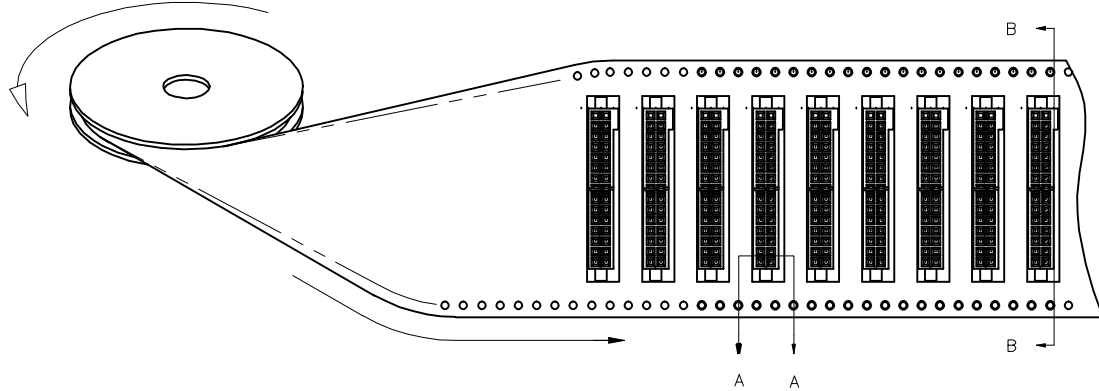
type Product Customer Drawing

1 | 2 | 3 | 4 | 5 | 6

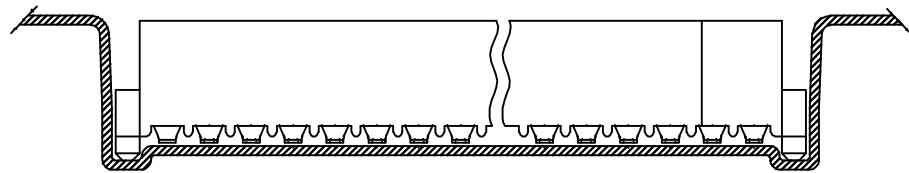
UNREELING DIRECTION

REFERENCE ONLY

TAPE WIDTH'S 32mm AND ABOVE HAS BOTH FEED TRACKS,
BELOW 32mm HAS TOP FEED TRACK ONLY.



SECTION A-A



SECTION B-B



Copyright FCI

mat'l. code		surface		tolerance		projection		product family	
-		ISO 1302		ISO 406 ISO 1101				RIB CAGE	
Int' ecn no		dr		date		INCH/MM		file	
						<input checked="" type="checkbox"/> INCH <input type="checkbox"/> MM		.050cc VERT. SMT. W/LOC. & POL. FEATURE	
AE						scale 1:1		dwg no	
		angles		linear				sheet 3 of 3 size	
				$\sigma \pm z$				87024 A3	
		dr		6/26/91				type	
		eng		6/26/91				Product Customer Drawing	
		chr		6/26/91					
		appd		6/26/91					
sheet		revision							
index		sheet							

1 | 2 | 3 | 4 | 5 | 6

form: A3