



# TAI-SAW TECHNOLOGY CO., LTD.

No. 3, Industrial 2nd Rd., Ping-Chen Industrial District,  
Taoyuan, 324, Taiwan, R.O.C.

TEL: 886-3-4690038 FAX: 886-3-4697532  
E-mail: [tstsales@mail.taisaw.com](mailto:tstsales@mail.taisaw.com) Web: [www.taisaw.com](http://www.taisaw.com)

## Approval Sheet For Product Specification

Issued Date:

Product Name: SAW Filter 403.966MHz SMD3.8X3.8mm

TST Parts No.: TA0340A

Customer Parts No.: \_\_\_\_\_

Company: _____
Division: _____
Approved by : _____
Date: _____

Checked by: Jacky Huang

Approval by: Francis Chen

Date: 2004/3/12



# TAI-SAW TECHNOLOGY CO., LTD.

No. 3, Industrial 2nd Rd., Ping-Chen Industrial District,  
Taoyuan, 324, Taiwan, R.O.C.

TEL: 886-3-4690038 FAX: 886-3-4697532

E-mail: [tstsales@mail.taisaw.com](mailto:tstsales@mail.taisaw.com) Web: [www.taisaw.com](http://www.taisaw.com)

## SAW Filter 403.966 MHz

MODEL NO.: TA0340A

REV. NO.:1

### A. MAXIMUM RATING:

1. Input Power Level: 10 dBm
2. DC voltage: 12 V
3. Operating Temperature: -40°C to +85°C
4. Storage Temperature: -40°C to +85°C

RoHS Compliant  
Lead free  
Lead-free soldering

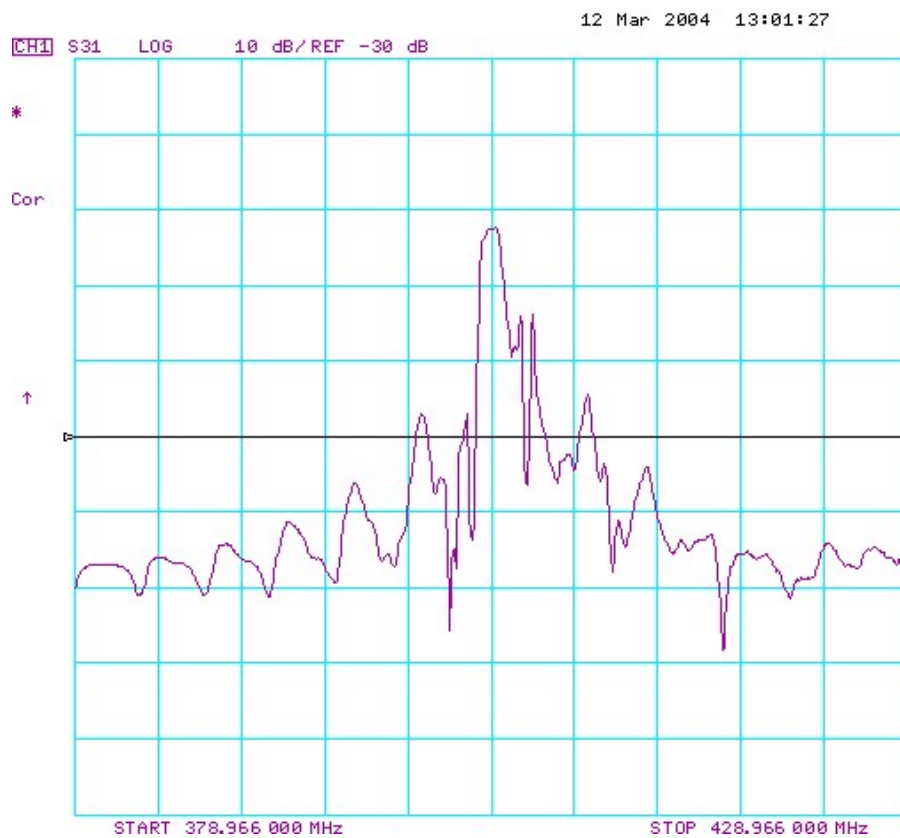
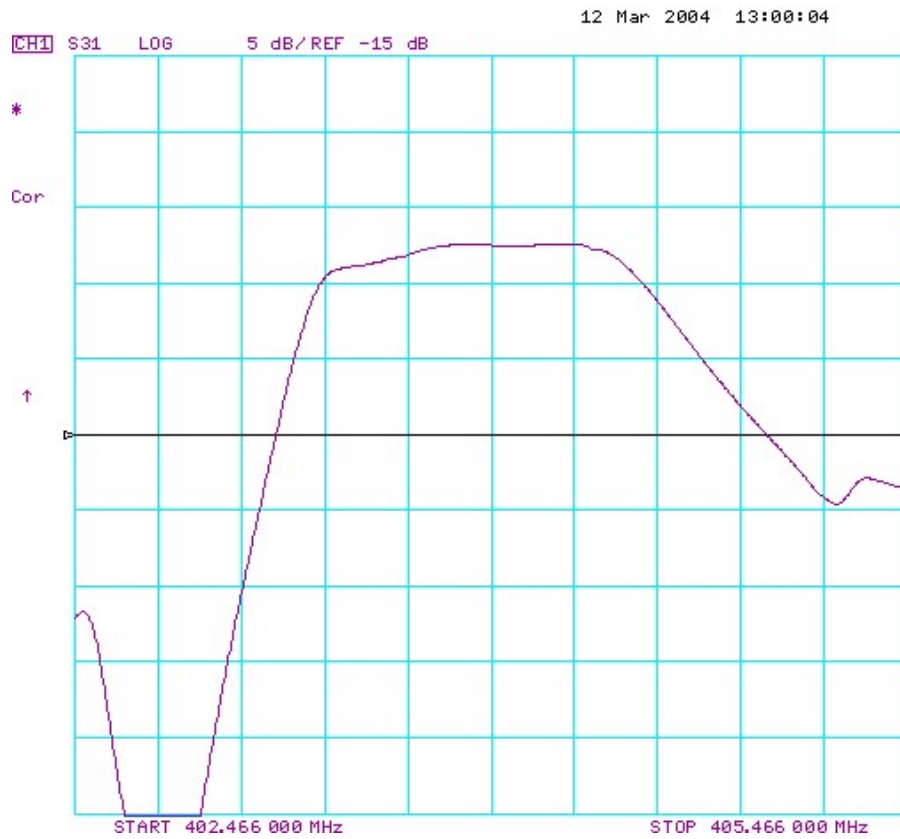
### B. ELECTRICAL CHARACTERISTICS:

Reference temperature: TA = -40 to 85°C

Item	Min.	Typ.	Max.	Note
Center frequency $F_c$ (MHz)	-	403.966	-	1
Minimum I.L. (dB) $IL_{min}$	-	2.4	3.0	
Pass band (relative to $IL_{min}$ ) 403.466~404.466 MHz (dB)	-	-	3.0	1
Pass bandwidth (relative to $IL_{min}$ ) $BW_3$ (KHz)	1000	1200	-	
Attenuation:( relative to $IL_{min}$ ) (dB )				
10~384.046 MHz (dB )	40	50	-	1
384.046~398.046 MHz (dB )	30	40	-	
398.046~402.466 MHz (dB )	15	20	-	
405.466~412.046 MHz (dB )	10	15	-	
412.046~520.046 MHz (dB )	25	30	-	
520.046~1000 MHz (dB )	45	50	-	
Impedance at $F_c$ ; Input $Z_{IN}=R_{IN}/C_{IN}$ Output $Z_{OUT}=R_{OUT}/C_{OUT}$	279Ω // 4.1 pF 279Ω // 4.1 pF			

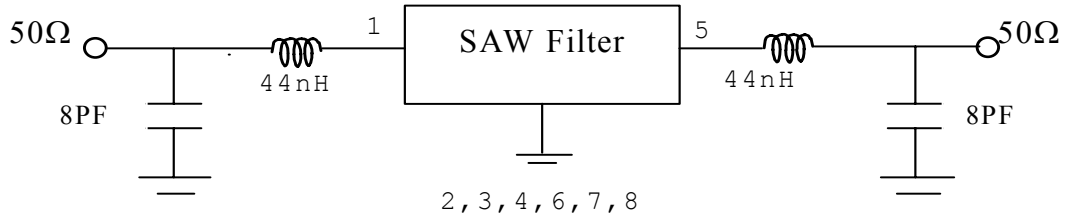
Note1. The standard definitions is in JIS C 6703

### C. FREQUENCY CHARACTERISTICS:

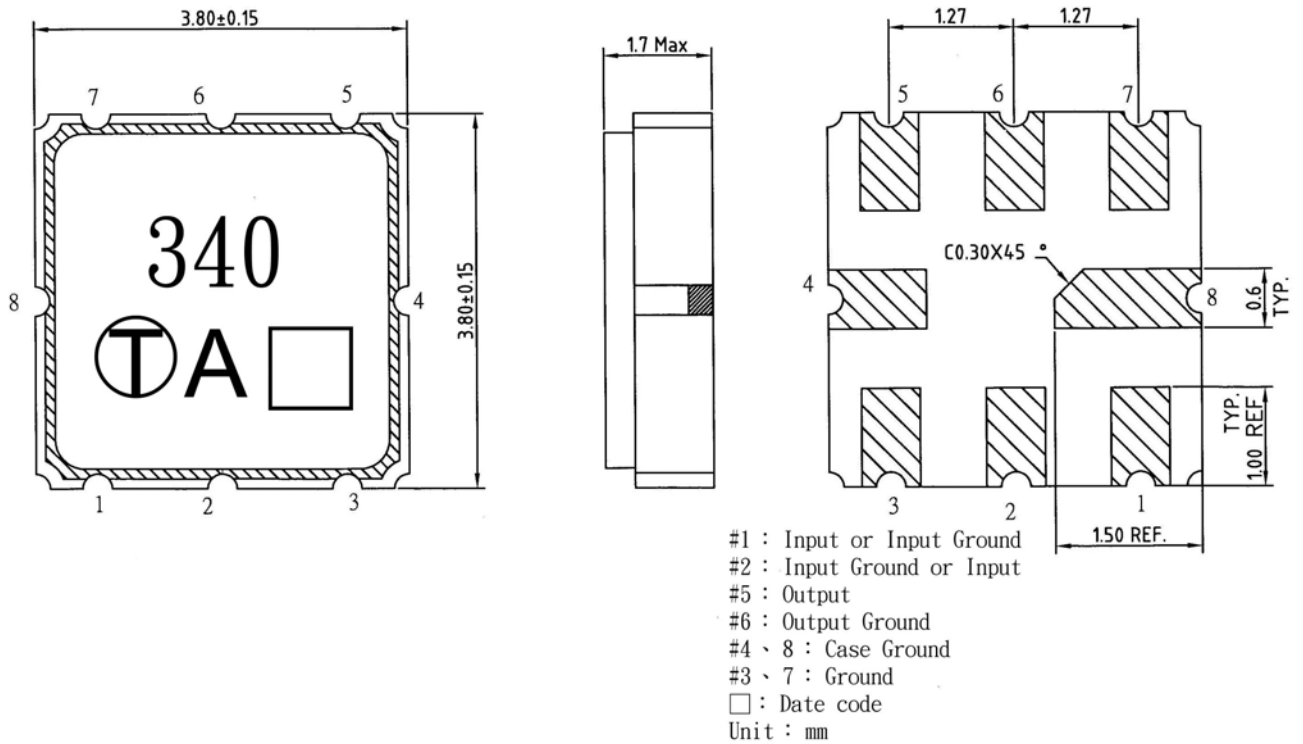


D. MEASUREMENT CIRCUIT:

HP Network analyzer

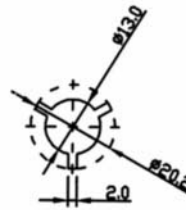
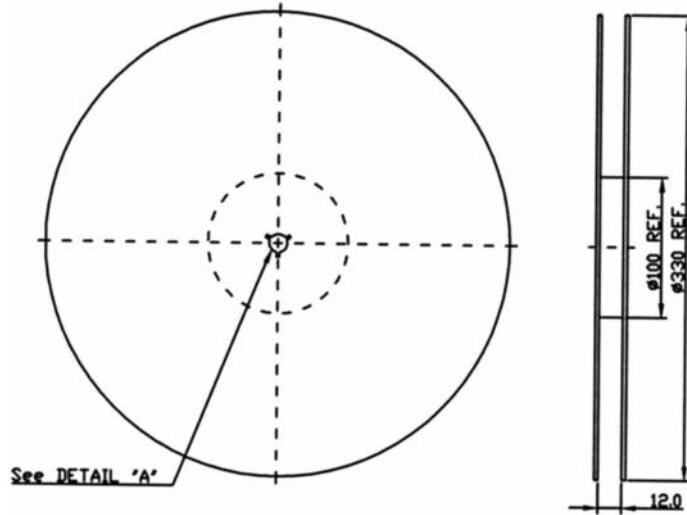


E. OUTLINE DRAWING:



F. PACKING:

1. REEL DIMENSION



2. TAPE DIMENSION

