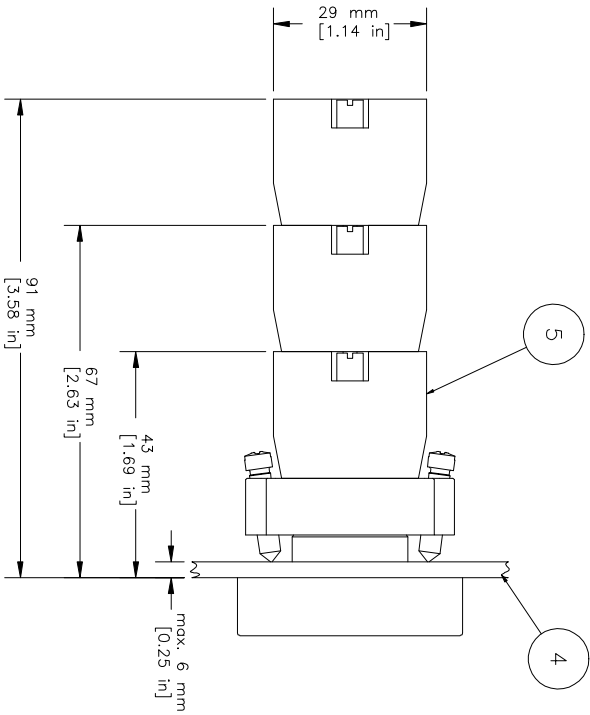
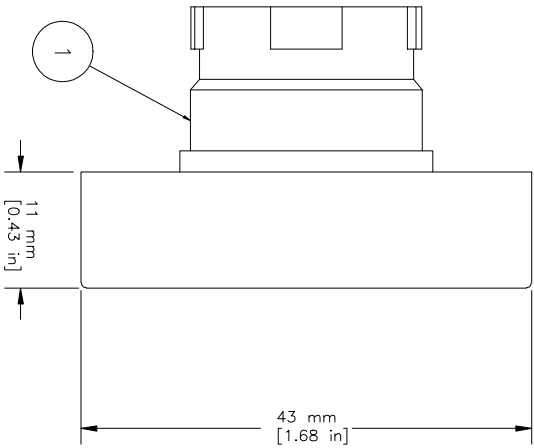
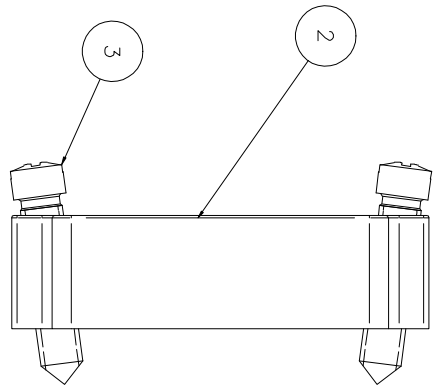
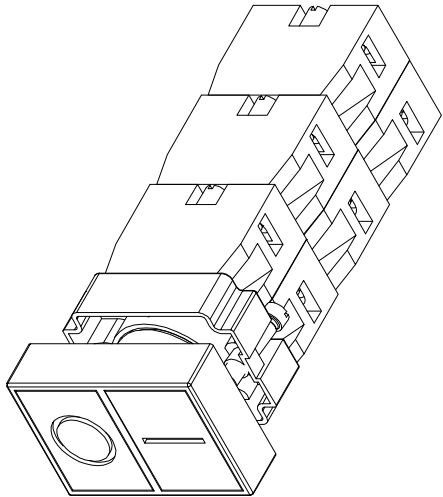


REVISIONS FOR DWG # 1PB-2ATFX-FX-10				
REV	CH. NO.	DESCRIPTION	DATE	REVISED BY
-	-	ORIGINAL DESIGN	10/25/07	Phil E.



ITEM	DESCRIPTION	CAT. NO.	COLOR	MIN. QTY.	MAX. QTY.
1	Twin Touch/ I/O marked, flush (comes with 2BRK)	2ATF3-F4-10 2ATF8-F2-10 2ATF1-F1-10	Green-Red Yellow-Black White-Black	1 1 1	1 1 1
2	Mounting Bracket	2BRK	-	1	1
3	Mounting Bracket Screws	Incl. in 2BRK	-	2	2
4	Panel	-	-	-	-
		S1	Green	1	6
		S2	Red	1	6
		S3	Green/Gray	1	6
5	Switch Contacts	S4	Red/Gray	1	6

UNLESS OTHERWISE SPECIFIED  
 • ALL DIMENSIONS ARE IN MILLIMETERS  
 • THIRD ANGLE PROJECTION



This Drawing is the property of  
**Attech Corp.**  
 35 Royal Road  
 Flemington NJ 08822-6000  
 (908) 806-9400 • Fax (908) 806-9490

AND IS A CONFIDENTIAL DISCLOSURE  
 LENT WITHOUT CONSIDERATION OTHER  
 THAN THE BORROWER'S AGREEMENT  
 THAT IT SHALL NOT BE REPRODUCED,  
 COPIED, LENT, OR DISPOSED OF  
 DIRECTLY OR INDIRECTLY NOR USED  
 FOR ANY PURPOSE OTHER THAN THAT  
 FOR WHICH IT IS SPECIFICALLY  
 FURNISHED.

TITLE: 22mm Twin Touch Metal Non-Illuminated Operators Flush 2ATFX-FY-10 (x=color)			
DRAWN BY: Philip Ernstberger	10/25/07	DRAWING NO.:	1PB-2ATFX-FX-10
CHECKED BY: Laszlo Gyorgypal	10/25/07	SCALE:	-
RELEASED BY: Laszlo Gyorgypal	10/25/07	SHEET:	1 OF 1
		REV.:	-

TOLERANCE	±1 mm
XX	±0.5 mm
XX.X	±0.2 mm
XX.XX	- mm
ALL	- mm

M-H-R-C