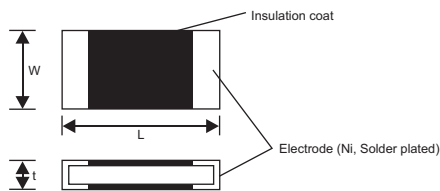


DIMENSION

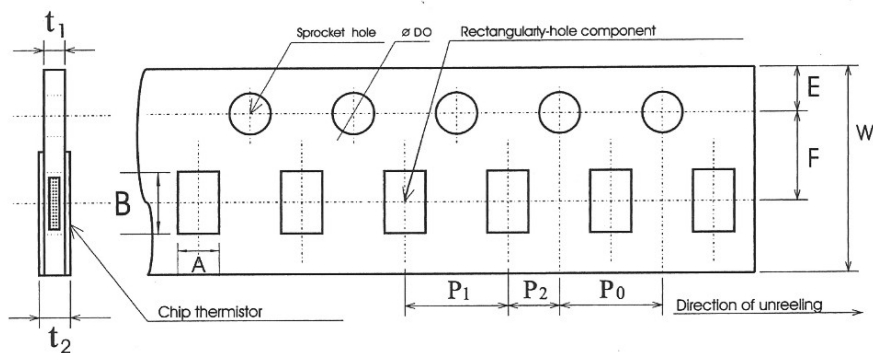
Size	Code	L	W	T
0603	ST16	1.6±0.2	0.8±0.2	1.0max
0805	ST20	2.0±0.2	1.25±0.2	1.2max



SPECIFICATIONS

Size	Part Number	Zero Power Resistance at 25°C (Ω)	B-Constant (25/85) (K)	Resistance Tolerance (±%)	Thermal Dissipation Constant (mW/°C)	Thermal Time Constant (sec)	Operating Temperature (°C)
0603	ST16-502	5K	3500	1,2,3,5%	1.7	5	-40 ~ +125°C
	ST16-103	10K	3450	1,2,3,5%	1.7	5	-40 ~ +125°C
	ST16-103	10K	4100	1,2,3,5%	1.7	5	-40 ~ +125°C
	ST16-473	47K	4100	1,2,3,5%	1.7	5	-40 ~ +125°C
	ST16-503	50K	3950	1,2,3,5%	1.7	5	-40 ~ +125°C
	ST16-683	68K	4100	1,2,3,5%	1.7	5	-40 ~ +125°C
	ST16-104	100K	4100	1,2,3,5%	1.7	5	-40 ~ +125°C
	ST16-154	150K	4100	1,2,3,5%	1.7	5	-40 ~ +125°C
0805	ST20-204	200K	4100	1,2,3,5%	1.7	5	-40 ~ +125°C
	ST20-202	2K	3500	1,2,3,5%	2	5	-40 ~ +125°C
	ST20-502	5K	3500	1,2,3,5%	2	5	-40 ~ +125°C
	ST20-103	10K	3450	1,2,3,5%	2	5	-40 ~ +125°C
	ST20-103	10K	4100	1,2,3,5%	2	5	-40 ~ +125°C
	ST20-473	47K	4100	1,2,3,5%	2	5	-40 ~ +125°C
	ST20-503	50K	3950	1,2,3,5%	2	5	-40 ~ +125°C
	ST20-683	68K	4100	1,2,3,5%	2	5	-40 ~ +125°C
	ST20-104	100K	4100	1,2,3,5%	2	5	-40 ~ +125°C
	ST20-154	150K	4100	1,2,3,5%	2	5	-40 ~ +125°C
ST20-204	200K	4100	1,2,3,5%	2	5	-40 ~ +125°C	

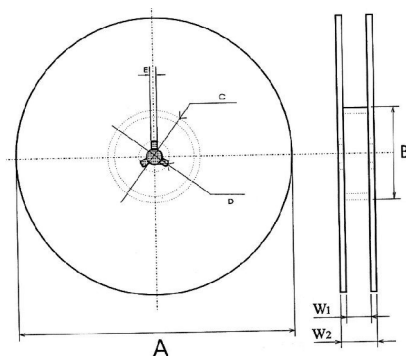
TAPING



Unit: mm

Code	A	B	W	F	E	P1	P2	P0	D0	t1	t2
ST16	1.1±0.2	1.9±0.2	8.0±0.2	3.5±0.05	1.75±0.1	4.0±0.10	2.0±0.05	4.0±0.1	1.5 ^{-0.1} ₋₀	1.0max	1.4max
ST20	1.65±0.2	2.4±0.2									

REEL



Unit: mm

Code	A	B	C	D	E	W1	W2
ST16, ST20	180 ⁺⁰ ₋₃	60 ⁺¹ ₋₀	13±0.2	21±0.8	2.0±0.5	9.0±0.3	11.4±1.0