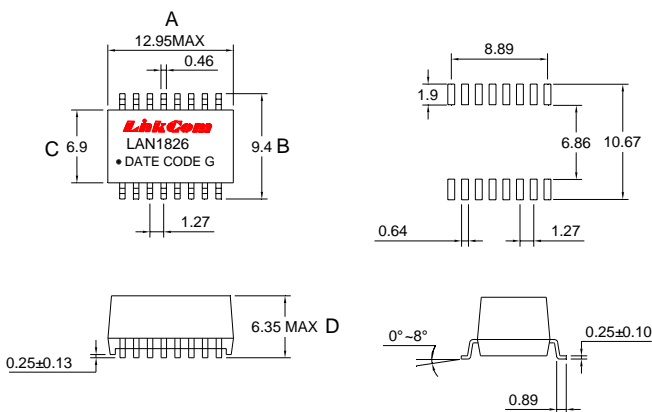


10/100BASE-Tx Magnetics Module

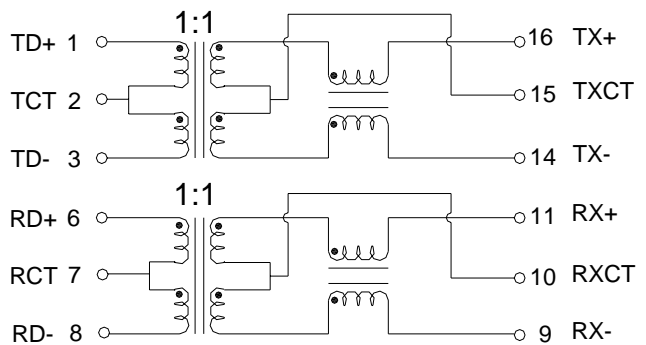
- Meets IEEE 802.3 standard
- RoHS Compliant
- Single port configuration
- Design for 100base-Tx transmission over UTP-5 cable
- Operating Temperature: -40°C ~+85°C

| Electrical Specification @25°C | | | |
|--------------------------------|--|------------|------------|
| OCL: | 350uH Min. @100KHz/0.1V with 8mA DC Bias | | |
| Hi-POT : | 1500Vrms. | | |
| Turn Ratio: | 1CT:1CT±3% | | |
| D.C.R: | 0.9ohm Max. | | |
| Insertion Loss: | 0.1-100MHz : -1.0dB Max. | | |
| Return Loss: | 30MHz | 60MHz | 80MHz |
| | -20dB Typ. | -14dB Typ. | -12dB Typ. |
| D.C.M.R. : | 30MHz | 50MHz | 100MHz |
| | -42dB Typ. | -37dB Typ. | -32dB Typ. |
| Cross Talk : | 30MHz | 60MHz | 100MHz |
| | -45dB Typ. | -40dB Typ. | -35dB Typ. |

Dimensions



Schematic



Units: mm
Unless otherwise specified, all tolerances are ±0.25