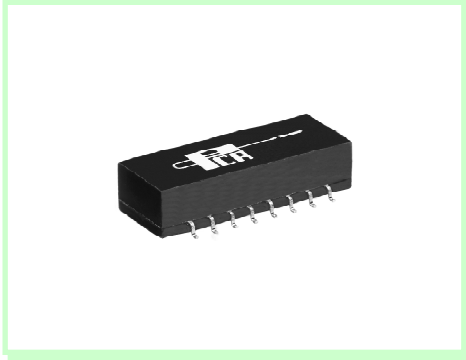


Token Ring / Fiber Application Filter Module

EPT7101G



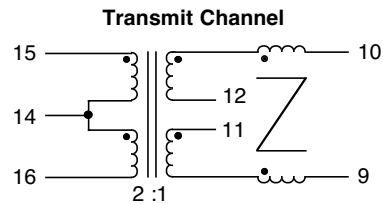
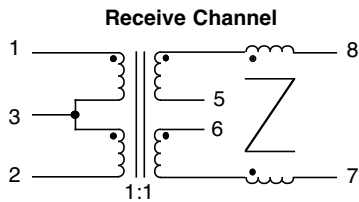
- Optimized for Micro Linear ML6680 to Fiber Chip Set •
- Complies with or exceeds IEEE 802.3 •

Electrical Parameters @ 25° C

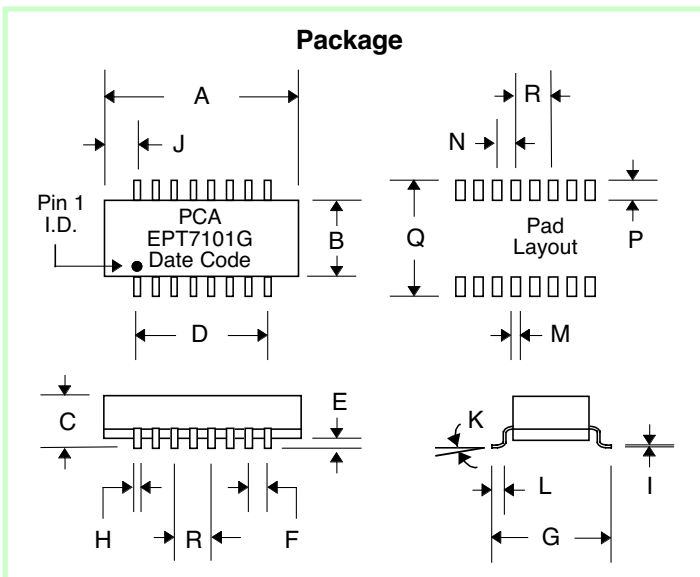
OCL (μ H Min.) @ 70°C	Insertion Loss (dB Max.)						Return Loss (dB Min.)				Common Mode Rejection (dB Min.)						Crosstalk (dB Min.) [Between Channels]	
	1-8 MHz		16 MHz		24 MHz		1-17 MHz		17-25 MHz		1-5 MHz		20 MHz		200 MHz		5-16 MHz	24 MHz
Cable Side	Xmit	Rcv	Xmit	Rcv	Xmit	Rcv	Xmit	Rcv	Xmit	Rcv	Xmit	Rcv	Xmit	Rcv	Xmit	Rcv		
1100	-0.8	-0.8	-1	-1	-1.8	-1.8	-16	-16	-9	-9	-30	-30	-30	-30	-20	-20	-50	-40

• Isolation : 2000 Vrms • Cable Impedance : 100 Ω •

Schematic



Package



Dimensions

Dim.	(Inches)			(Millimeters)		
	Min.	Max.	Nom.	Min.	Max.	Nom.
A	.975	.985	.980	24.77	25.15	24.90
B	.387	.393	.390	9.83	9.96	9.91
C	.223	.243	.233	5.66	6.17	5.92
D	---	---	.600	---	---	15.27
E	.010	.015	.0125	.254	.381	.318
F	---	---	.100	---	---	2.54
G	.490	.510	.500	12.45	12.95	12.70
H	.018	.022	.020	.457	.558	.508
I	.008	.012	.010	.203	.305	.254
J	---	---	.145	---	---	3.68
K	0°	8°	---	0°	8°	---
L	.025	.045	.035	.635	1.14	.889
M	---	---	.030	---	---	.762
N	---	---	.100	---	---	2.54
P	---	---	.092	---	---	2.34
Q	---	---	.560	---	---	14.22
R	---	---	.200	---	---	5.08