

HOW TO ORDER:

EXAMPLE: 250-014 Z1 14 - 6 P X

BASIC PART NUMBER 250-014

MATERIAL DESIGNATION
 FT - FUSED TIN OVER FERROUS STEEL
 Z1 - PASSIVATED STAINLESS STEEL

SHELL SIZE 14

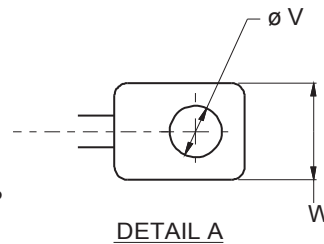
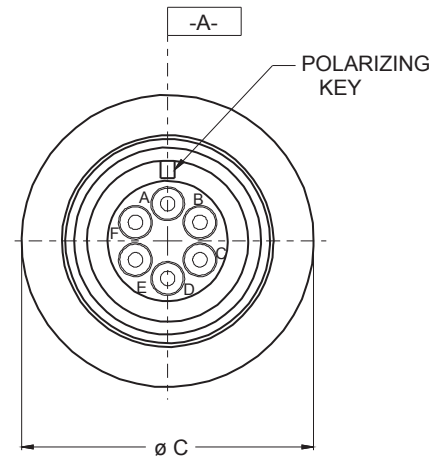
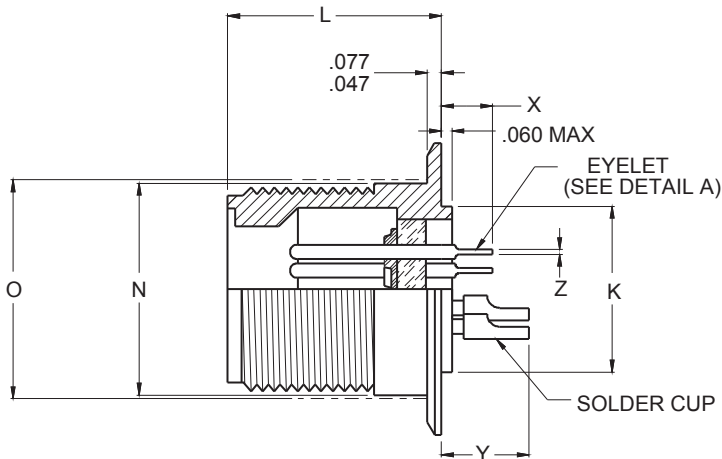
INSERT ARRANGEMENT PER MIL-STD-1651 -

TERMINATION TYPE 6

P - SOLDER CUP
 X - EYELET

ALTERNATE INSERT POSITION P X

W, X, Y, OR Z
 OMIT FOR NORMAL



CONTACT SIZE	X MAX.	Y MAX.	Z MIN.	V MIN.	W MAX.
16	.219 (5.6)	.375 (9.5)	.020 (0.5)	.065 (1.7)	.115 (2.9)
12	.281 (7.1)	.516 (13.1)	.020 (0.5)	.096 (2.4)	.190 (4.8)
8	-	.719 (18.3)	-	-	-
4	-	.980 (24.9)	-	-	-
0	-	.980 (24.9)	-	-	-

NOTES:

- MATERIAL/FINISH:
 SHELL: FT - FUSED TIN OVER CARBON STEEL
 Z1 - PASSIVATED STAINLESS STEEL
 CONTACTS: 52 NICKEL ALLOY/ GOLD PLATE
 SEALS: SILICONE ELASTOMER
 INSULATION: GLASS BEADS, NOIBN
- ASSEMBLY TO BE IDENTIFIED WITH GLENAIR'S NAME, PART NUMBER AND DATE CODE SPACE PERMITTING.
- PERFORMANCE:
 HERMETICITY: $<1 \times 10^{-6}$ SCCHE/SEC @ 1 ATMOSPHERE DIFFERENTIAL
 DIELECTRIC WITHSTANDING VOLTAGE: SEE TABLE ON SHEET #2
 INSULATION RESISTANCE: 5000 MEGOHMS MIN @ 500VDC
- GLENAIR 250-014 WILL MATE WITH ANY MIL-C-5015 SERIES THREADED COUPLING PLUG OF SAME SIZE AND INSERT POLARIZATION

250-014
Hermetic Receptacle, Solder Mount
MIL-DTL-5015 Type (MS3143)



MIL-DTL-5015

PATTERN NUMBER	CONTACT SIZE AND QUANTITY					SERVICE RATING
	16 GA	12 GA	8 GA	4 GA	0 GA	
8S-1	1					A
10S-2	1					A
10SL-3	3					INST
10SL-4	4					A
12S-3	2					A
12S-4	1					D
14S-1	3					A
14S-2	4					INST
14S-4	1					O
14S-5	5					INST
14S-6	6					INST
14S-7	3					A
14S-9	2					A
16S-1	7					A
16S-3	1					B
16S-4	2					D
16S-5	3					A
16S-6	3					A
16S-8	5					A
16-9	2	2				A
16-10		3				A
16-11		2				A
18-1	10					A/INST
18-4		4				D
18-8	7	1				A
18-9	5	2				INST
18-10		4				A
18-11		5				A
18-12	6					A
20-4		4				D
20-7	8					D/A
20-8	4					INST
20-14		3				A
20-15		7				A
20-16	7	2				A
20-17	1	5				A
20-18	6	3				A
20-19			3			A

PATTERN NUMBER	CONTACT SIZE AND QUANTITY					SERVICE RATING
	16 GA	12 GA	8 GA	4 GA	0 GA	
20-22	3		3			A
20-24	2		2			A
20-27	14					A
20-29	17					A
20-33	11					A
22-2			3			D
22-5	4	2				D
22-9		3				E
22-14	19					A
22-18	8					A/D
22-19	14					A
22-20	9					A
22-22			4			A
22-23		8				D/A
24-2		7				D
24-4	3					D
24-7	14	2				A
24-10			7			A
24-11		6	3			A
24-19	12					A
24-20	9	2				D
24-27	7					E
24-28	24					INST
28-9	6	6				D
28-11	18	4				A
28-12	26					A
28-15	35					A
28-17	15					B/D/A
28-20	4	10				A
28-21	37					A
32-6	3	2	3	2		A
32-7	28	7				INST/A
32-8	24	6				A
32-15		6			2	D
32-17				4		D
36-5					4	A
36-7	40	7				A
36-9	14	14	2	1		A
36-10	48					A

SIZE	C ∅ ±.010 (±0.3)	K ∅ ±.010 (±0.3)	L MAX		∅ N +.000 -.062 (+0 - 1.6)	∅ O (REF) MTG HOLE
			CONTACT SIZE			
			16, 12 & 8	4 & 0		
8S	.750 (19.1)	.428 (10.9)	.730 (18.5)		.532 (13.5)	.562 (14.3)
10S	.875 (22.2)	.490 (12.4)	.730 (18.5)		.656 (16.7)	.688 (17.5)
10SL	.875 (22.2)	.490 (12.4)	.730 (18.5)		.656 (16.7)	.688 (17.5)
12S	1.000 (25.4)	.646 (16.4)	.730 (18.5)		.782 (19.9)	.812 (20.6)
12	1.000 (25.4)	.646 (16.4)	.915 (23.2)		.782 (19.9)	.812 (20.6)
14S	1.125 (28.6)	.709 (18.0)	.730 (18.5)		.906 (23.0)	.938 (23.8)
14	1.125 (28.6)	.709 (18.0)	.915 (23.2)		.906 (23.0)	.938 (23.8)
16S	1.250 (31.8)	.834 (21.2)	.730 (18.5)	1.040 (26.4)	1.032 (26.2)	1.062 (27.0)
16	1.250 (31.8)	.834 (21.2)	.915 (23.2)		1.032 (26.2)	1.062 (27.0)
18	1.375 (34.9)	.959 (24.4)			1.156 (29.4)	1.188 (30.2)
20	1.500 (38.1)	1.146 (29.1)			1.282 (32.6)	1.312 (33.3)
22	1.625 (41.3)	1.240 (31.5)			1.406 (35.7)	1.438 (36.5)
24	1.750 (44.5)	1.365 (34.7)			1.532 (38.9)	1.562 (39.7)
28	2.000 (50.8)	1.615 (41.0)			1.782 (45.3)	1.812 (46.0)
32	2.250 (57.2)	1.865 (47.4)			2.032 (51.6)	2.062 (52.4)
36	2.500 (63.5)	2.115 (53.7)			2.282 (58.0)	2.312 (58.7)
40	2.750 (69.9)	2.365 (60.1)			2.532 (64.3)	2.562 (65.1)
44	3.000 (76.2)	2.615 (66.4)			2.782 (70.7)	2.812 (71.4)
48	3.250 (82.6)	2.865 (72.8)	.915 (23.2)	1.040 (26.4)	3.032 (77.0)	3.062 (77.8)

SERVICE RATING	WORKING VOLTAGES (VOLTS-RMS)
INST	200
A	500
D	900
E	1250
B	1750
C	3000