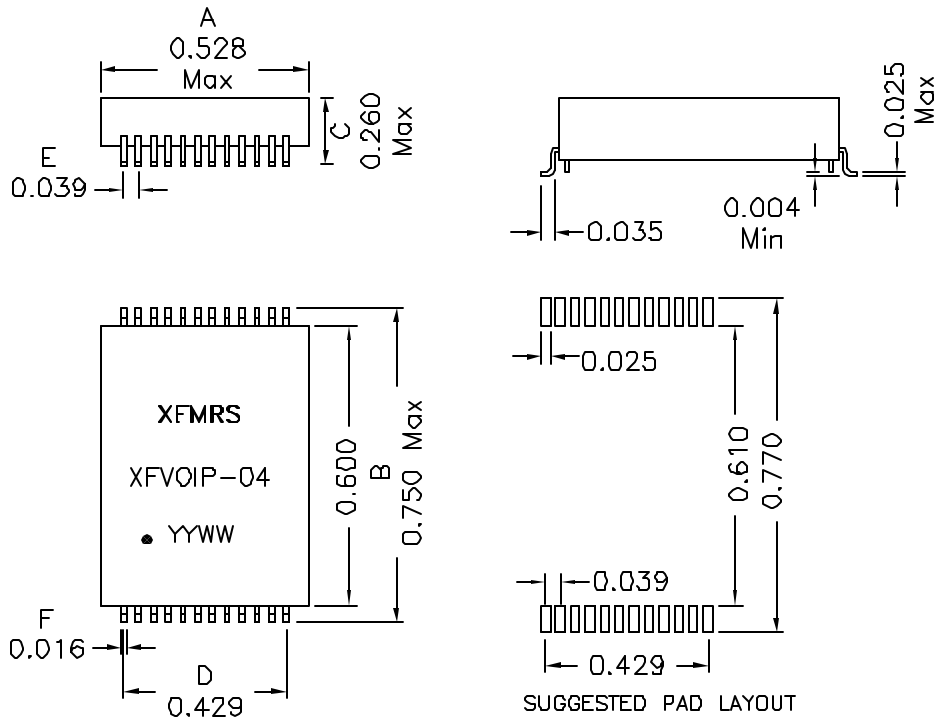
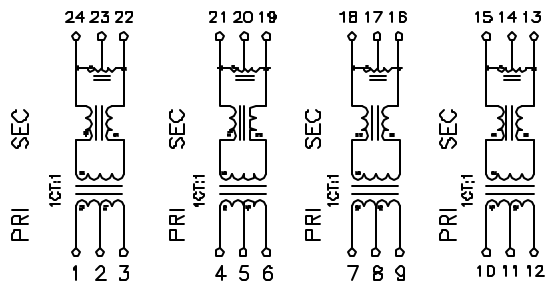


### 1. Mechanical Dimensions:



### 2. Schematic:



### 3. Electrical Specifications: @25°C

- ISOLATION: 1500 Vrms
- INSERTION LOSS: -1.1dB Max @1MHz-100MHz
- PRI OCL: 350 uH Min @100KHz 100mV 8mADC
- PRI Q: 12 Min @100KHz 100mV
- RETURN LOSS: -16dB Min @1-30MHz
  - 14dB Min @40MHz
  - 13dB Min @50MHz
  - 12dB Min @60-80MHz
- Differential to Common Mode Rejection:
  - 43dB Min @30MHz
  - 37dB Min @60MHz
  - 33dB Min @100MHz
- Crosstalk: -43dB Min @30MHz
  - 37dB Min @60MHz
  - 33dB Min @100MHz

**Notes:**

1. Solderability: Leads shall meet MIL-STD-202C, Method 208H for solderability.
2. Flammability: UL94V-0
3. ASTM oxygen index: > 28%
4. Insulation System: Class F 155°C, UL file E151558
5. Operating Temperature Range: All listed parameters are to be within tolerance from -40°C to +85°C
6. Storage Temperature Range: -55°C to +125°C
7. Aqueous wash compatible
8. SMD Lead Coplanarity: ±0.004\*(0.102mm)
9. Electrical and mechanical specifications 100% tested
10. RoHS Compliant Component

DOC. REV: A/7

**PROPRIETARY**

Document is the property of XFMRs Group & is not allowed to be duplicated without authorization.

<b>XFMRs Inc</b> www.XFMRs.com	Title: VOICE OVER IP MAGNETICS		
	UNLESS OTHERWISE SPECIFIED TOLERANCES:		P/N: XFVOIP-04
.xxx ±0.010	DWN.	Juan Mao	Jun-17-08
Dimensions in INCH	CHK.	YK Liao	Jun-17-08
SCALE 2:1 SHT 1 OF 1	APP.	Joe Huff	Jun-17-08