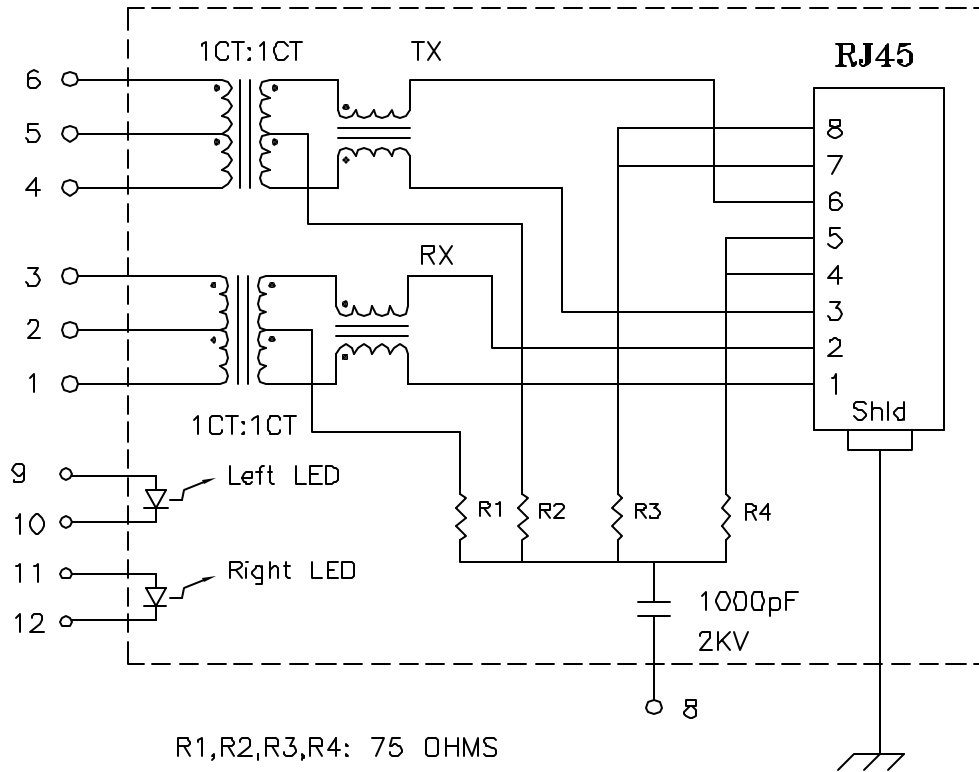


## Schematic( LEFT PORT ): 10/100Mb



### Electrical Specifications: @25°C

Isolation Voltage: 1500 Vrms (Input to Output)  
 Isolation Voltage: 500 Vrms (P1+2+3 to P4+5+6)  
 Turns Ratio: TX 1CT:1CT  $\pm 3\%$  RX 1CT:1CT  $\pm 3\%$   
 CABLE SIDE OCL: 350uH Minimum @100KHz 100mV 8mADC  
 Insertion Loss (300KHz-100MHz): -1.0dB Maximum  
 Return Loss: @30MHz -20dB Minimum  
 @80MHz -15dB Typ

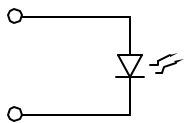
Complete the Combo P/N as follows:

Replace 'x' & 'u' in the part number with one of the LED color letters:

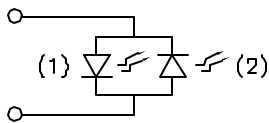
Y=Yellow  
 G=Green  
 A=Amber  
 R=Red  
 N=Yellow(1)/Green(2) Bicolor  
 M=Green(1)/Yellow(2) Bicolor

'x' = Left LED Color  
 'u' = Right LED Color

Single Color LED:



Bi-Color LED:



DOC REV: A/4

#### Notes:

- Solderability: Leads shall meet MIL-STD-202G, Method 208H for solderability.
- Flammability: UL94V-0
- ASTM oxygen Index: > 28%
- Insulation System: Class F 155°C. UL file E151556
- Operating Temperature Range: All listed parameters are to be within tolerance from -40°C to +85°C
- Storage Temperature Range: -55°C to +125°C
- Aqueous wash compatible
- Electrical and mechanical specifications 100% tested
- RoHS Compliant Component

**XFMRs Inc.**

www.XFMRs.com

UNLESS OTHERWISE SPECIFIED  
 TOLERANCES:  
 .xxx  $\pm 0.010$

Dimensions in Inch

SHEET 2 OF 3

Title: For CLxu2-4MS Series

P/N: XFATM10B-CLxu2-4MS REV. A

DWN.

罗振江

Aug-02-06

CHK.

廖玉坤

Aug-02-06

APP.

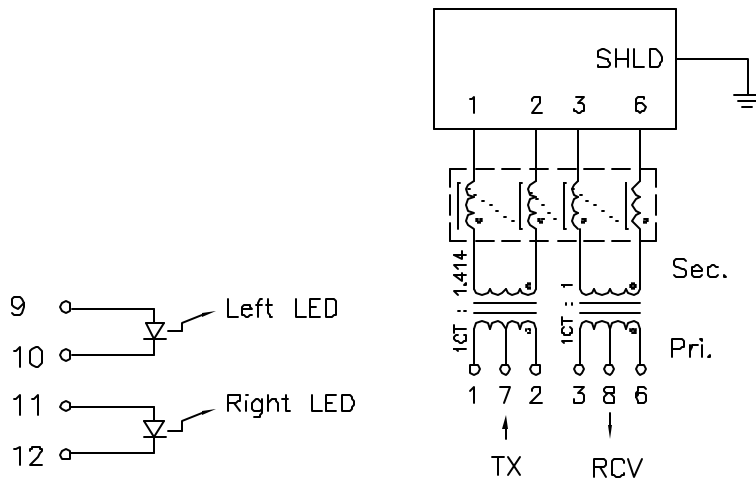
MS

Aug-02-06

**PROPRIETARY:**

Document is the property of XFMRs Group & is not allowed to be duplicated without authorization.

## Schematic( RIGHT PORT): 10Base-T



### Electrical Specification: @25°

Isolation: 1500 Vrms (PRI to SEC)

Isolation: 500 Vrms (TX to RCV)

Turns Ratio: 1CT:1.414 ±2% (TX) 1CT:1 ±2% (RCV)

OCL: (P6-P3)=(J6-J3), 200uH Min @10KHz 10mV

(P2-P1), 100uH Min @10KHz 10mV

LL: (P6-P3), 0.3uH Max @1MHz 10mV with J6 & J3 shorted

(P2-P1), 0.3uH Max @1MHz 10mV with J2 & J1 shorted

Cw/w: (P6,P3) to (J6,J3), 20pF Max @1MHz 10mV

Cw/w: (P2,P1) to (J2,J1), 20pF Max @1MHz 10mV

DCR: (J6-J3)=(J2-J1), 1.0 Ohms Max

DCR: (P6-P8)=(P8-P3), 0.5 Ohms Max

DCR: (P2-P7)=(P7-P1), 0.3 Ohms Max

CMR CHOKE OCL: 18uH Typical @100KHz 50mV

DOC REV: A/4

**PROPRIETARY:**

Document is the property of XFMRS Group & is not allowed to be duplicated without authorization.

<b>XFMRS Inc.</b> www.XFMRS.com		Title: For CLxu2-4MS Series	
UNLESS OTHERWISE SPECIFIED		P/N: XFATM10B-CLxu2-4MS	REV. A
TOLERANCES: .xxx ±0.010		DWN. 罗振江	Aug-02-06
Dimensions in Inch		CHK. 廖玉坤	Aug-02-06
SCALE 1.5:1 SHT 3 OF 3		APP. MS	Aug-02-06

