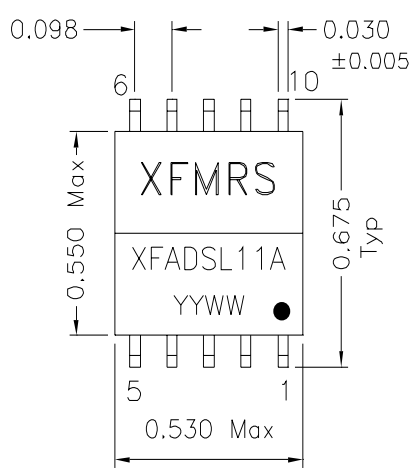
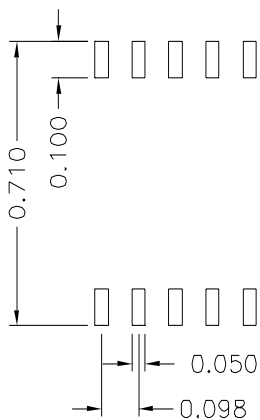


1. Dimensions:



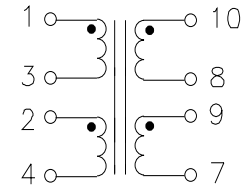
CO-PLANARITY: 0.004 Max



Suggested PCB Layout

2.Schematic:

Line Side Chip Side



3.Electrical Specifications: @25°C

Isolation: 2500Vrms

PIN1-4 OCL: 470uH±5% @10KHz 100mV

(CONNECT PIN2-3)

URNS RATIO: (10-7):(1-4)=1CS:1CS ±2%

DCR: 1-3,2-4 0.60 Ohms ±15%

DCR: 9-7,1-8 0.67 Ohms ±15%

DC Current: 100mA Max

Leakage L: 1-4 10uH Max @ 100KHz, 0.1V (Short 10-7)

Cw/w: 1-10 30pF Max @100KHz, 0.1V (Tie 3-2 & 8-9)

Long. Bal.: 20KHz-1.1MHz 40dB Min

Note: Designed to meet the requirements of UL1950 for Supplementary Insulation in a Primary circuit with a Working Voltage of 250Vrms.

DOC. REV A/1

XFMRS Inc	Title: ADSL TRANSFORMER		
	UNLESS OTHERWISE SPECIFIED	P/N: XFADSL11A	REV. A
TOLERANCES: .xxx ±0.010	DWN.	李清儿	Jun-14-98
Dimensions in INCH	CHK.	孙小悦	Jun-14-98
SHEET 1 OF 1	APP.	Joe Huff	Jun-15-98