

EMI Filtering TVS For USB Port

FEATURES

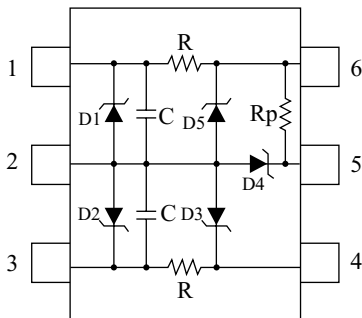
- EMI/RFI filtering.
- ESD Protection to IEC 61000-4-2 Level 4.
- Low insertion loss.
- Good attenuation of high frequency signals.
- Low clamping voltage.
- Low operating and leakage current.

MAXIMUM RATING (Ta=25 °C)

CHARACTERISTIC	SYMBOL	RATING	UNIT
Power Dissipation	*P _D	200	mW
Junction Temperature	T _j	150	°C
Storage Temperature	T _{stg}	-55 ~ 150	°C

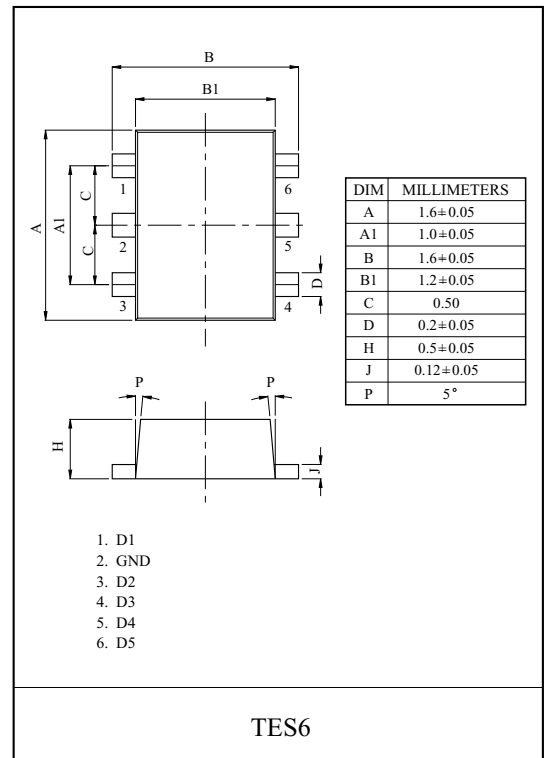
* Total Package Power Dissipation

EQUIVALENT CIRCUIT



ELECTRICAL CHARACTERISTICS (Ta=25 °C)

CHARACTERISTIC	SYMBOL	TEST CONDITION	MIN.	TYP.	MAX.	UNIT
Reverse Stand-Off Voltage	V _{RWM}	-	-	-	5	V
Reverse Breakdown Voltage	V _{BR}	I _t =1mA	6	-	-	V
Reverse Leakage Current	I _R	V _{RWM} =3.3V	-	-	0.5	μA
Resistance	R	Between Input and Output	-	22	-	Ω
	R _p	Between Pin5 and Pin 6	-	1.5	-	kΩ
Capacitance	C	V _R =2.5V, Between I/O Pins and GND	-	47	-	pF



MARKING

