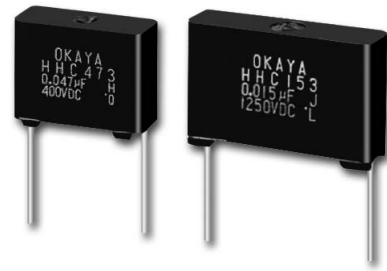


Features

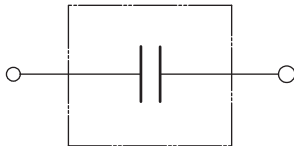
- Compact size and resin case.
- Best for high frequency and high current.



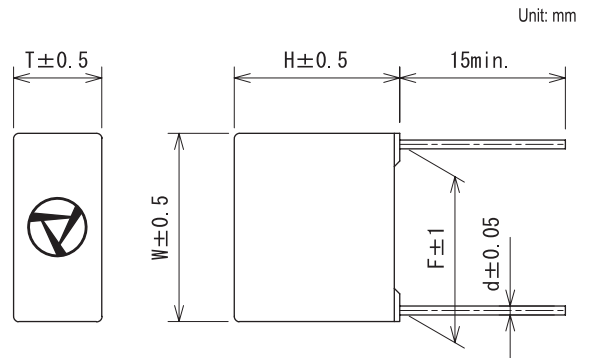
Applications

- High frequency circuit, High voltage resonant circuit, Snubber circuit and Protection of semiconductors such as IGBT, IPM and MOSFET.

Circuit



Dimensions



Electrical Specifications

Operating Temperature: -40 ~ +105°C

Capacitance		400V					630V					1250V					Dissipation factor	Test voltage	Insulation resistance
Model#	µF	W	H	T	F	d	W	H	T	F	d	W	H	T	F	d			
102	0.001																		
122	0.0012																		
152	0.0015												12.0	5.0					
182	0.0018																		
222	0.0022																		
272	0.0027																		
332	0.0033											17.0	12.5	5.5	15.0				
392	0.0039												12.5	5.5					
472	0.0047												12.5	5.5					
562	0.0056												13.5	6.5		0.8			
682	0.0068												13.5	6.5					
822	0.0082												15.0	8.0					
103	0.01							12.0	5.0				15.0	8.0					
123	0.012							12.5	5.5				16.0	6.5					
153	0.015							12.5	5.5				16.0	6.5					
183	0.018							12.5	5.5	15.0			17.5	8.0	22.5				
223	0.022							12.5	5.5				17.5	8.0					
273	0.027							13.5	6.5				19.5	10.0					
333	0.033		12.0	5.0				15.0	8.0				19.5	10.0					
393	0.039		13.5	6.5	15.0			15.0	8.0										
473	0.047	17.0	13.5	6.5				15.0	8.0										
563	0.056		15.0	8.0				16.0	6.5										
683	0.068		15.0	8.0				16.0	6.5										
823	0.082		16.0	6.5		0.8		17.5	8.0										
104	0.1		16.0	6.5				17.5	8.0										
124	0.12		17.5	8.0	22.5		25.0	19.5	10.0	22.5									
154	0.15	25.0	17.5	8.0				19.5	10.0										
184	0.18		19.5	10.0				19.5	10.0										
224	0.22		19.5	10.0				19.5	10.0										

● Model Numbering System

