

## Flash

## 3V Only 8 Mbit Serial Flash Memory with Dual

### ■ FEATURES

- Single supply voltage 2.7~3.6V
- Standard, Dual SPI
- Speed
  - Read max frequency: 33MHz
  - Fast Read max frequency: 50MHz; 100MHz
  - Fast Read Dual max frequency: 50MHz / 100MHz (100MHz / 200MHz equivalent Dual SPI)
- Low power consumption
  - Active current: 35 mA
  - Standby current: 30 μA
- Reliability
  - 100,000 typical program/erase cycles
  - 20 years Data Retention
- Program
  - Byte programming time: 7 μs (typical)
  - Page programming time: 1.5 ms (typical)
- Erase
  - Chip erase time 10 sec (typical)
  - Block erase time 1 sec (typical)
  - Sector erase time 90 ms (typical)
- Page Programming
  - 256 byte per programmable page
- Auto Address Increment (AAI) WORD Programming
  - Decrease total chip programming time over Byte Program operations
- Lockable 4K bytes OTP security sector
- SPI Serial Interface
  - SPI Compatible: Mode 0 and Mode 3
- End of program or erase detection
- Write Protect ( $\overline{WP}$ )
- Hold Pin ( $\overline{HOLD}$ )
- All Pb-free products are RoHS-Compliant

### ■ ORDERING INFORMATION

Product ID	Speed	Package		COMMENTS
F25L08PA-50PIG	50MHz	8 lead SOIC	150mil	Pb-free
F25L08PA-100PIG	100MHz	8 lead SOIC	150mil	Pb-free
F25L08PA-50PAIG	50MHz	8 lead SOIC	200mil	Pb-free
F25L08PA-100PAIG	100MHz	8 lead SOIC	200mil	Pb-free
F25L08PA-50DIG	50MHz	8 lead PDIP	300mil	Pb-free
F25L08PA-100DIG	100MHz	8 lead PDIP	300mil	Pb-free

### ■ GENERAL DESCRIPTION

The F25L08PA is a 8Megabit, 3V only CMOS Serial Flash memory device. The device supports the standard Serial Peripheral Interface (SPI), and a Dual SPI. ESMT's memory devices reliably store memory data even after 100,000 programming and erase cycles.

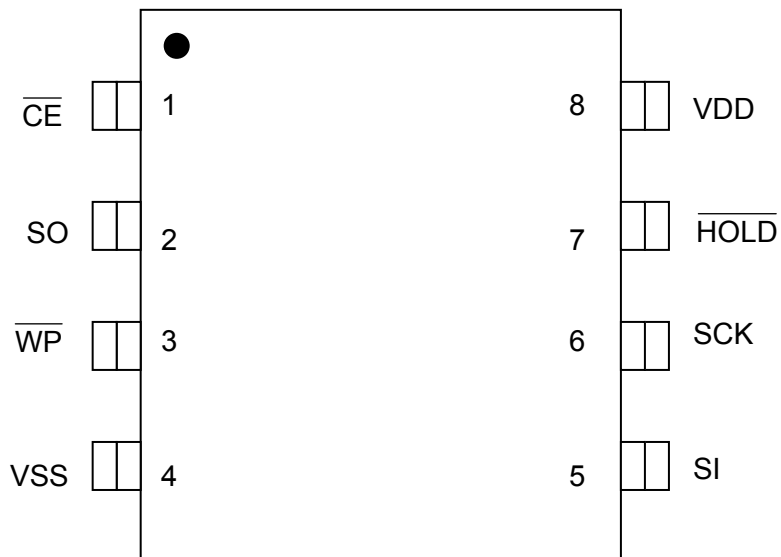
The memory array can be organized into 4,096 programmable pages of 256 byte each. 1 to 256 byte can be programmed at a time with the Page Program instruction. The device also can be programmed to decrease total chip programming time with Auto Address Increment (AAI) programming.

The device features sector erase architecture. The memory array is divided into 256 uniform sectors with 4K byte each; 16 uniform blocks with 64K byte each. Sectors can be erased individually without affecting the data in other sectors. Blocks can be erased individually without affecting the data in other blocks. Whole chip erase capabilities provide the flexibility to revise the data in the device. The device has Sector, Block or Chip Erase but no page erase.

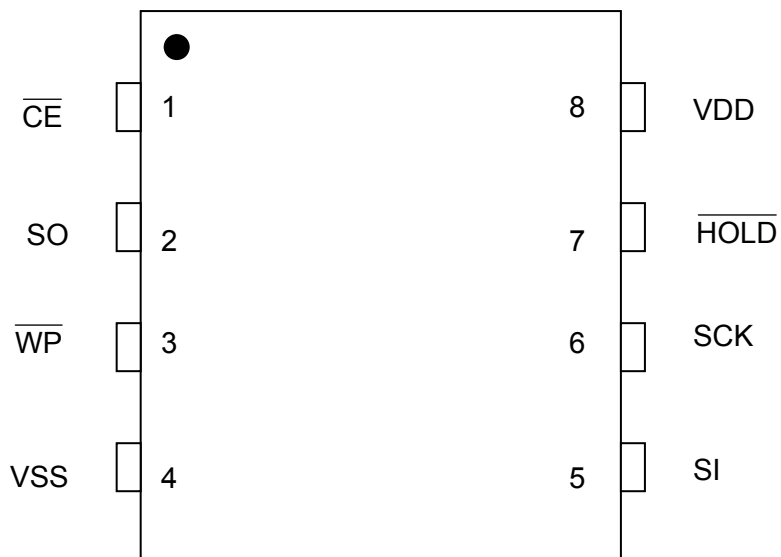
The sector protect/unprotect feature disables both program and erase operations in any combination of the sectors of the memory.

■ PIN CONFIGURATIONS

8-PIN SOIC



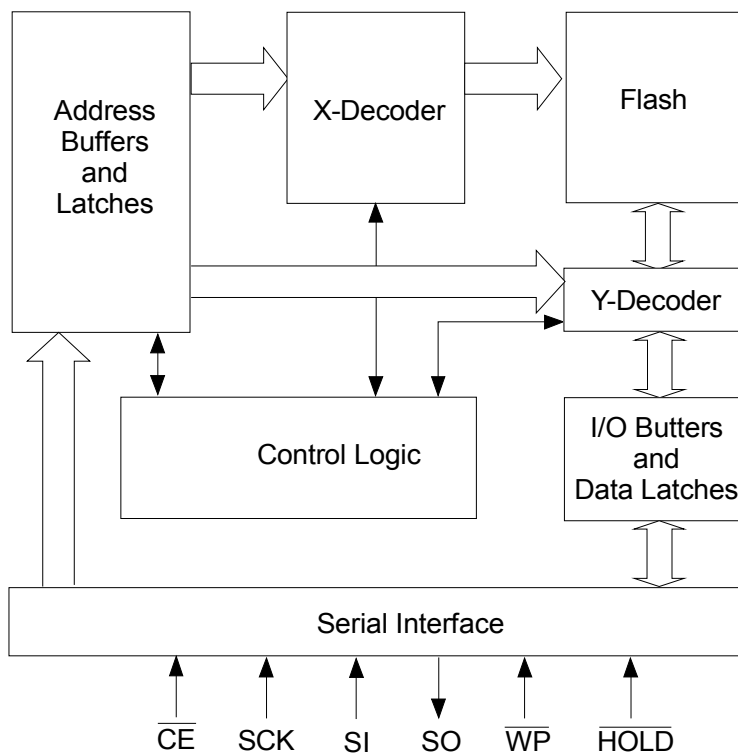
8-PIN PDIP



■ PIN DESCRIPTION

Symbol	Pin Name	Functions
SCK	Serial Clock	To provide the timing for serial input and output operations
SI	Serial Data Input	To transfer commands, addresses or data serially into the device. Data is latched on the rising edge of SCK.
SO	Serial Data Output	To transfer data serially out of the device. Data is shifted out on the falling edge of SCK.
$\overline{CE}$	Chip Enable	To activate the device when $\overline{CE}$ is low.
$\overline{WP}$	Write Protect	The Write Protect ( $\overline{WP}$ ) pin is used to enable/disable BPL bit in the status register.
$\overline{HOLD}$	Hold	To temporality stop serial communication with SPI flash memory without resetting the device.
VDD	Power Supply	To provide power.
VSS	Ground	

■ FUNCTIONAL BLOCK DIAGRAM



■ SECTOR STRUCTURE

Table 1: F25L08PA Sector Address Table

Block	Sector	Sector Size (Kbytes)	Address range	Block Address			
				A19	A18	A17	A16
15	255	4KB	0FF000H – 0FFFFFH	1	1	1	1
	:	:	:				
14	240	4KB	0F0000H – 0F0FFFH	1	1	1	0
	239	4KB	0EF000H – 0EFFFFH				
13	224	4KB	0E0000H – 0E0FFFH	1	1	0	1
	223	4KB	0DF000H – 0DFFFFH				
12	208	4KB	0D0000H – 0D0FFFH	1	1	0	0
	207	4KB	0CF000H – 0CFFFFH				
11	192	4KB	0C0000H – 0C0FFFH	1	0	1	1
	191	4KB	0BF000H – 0BFFFFH				
10	176	4KB	0B0000H – 0B0FFFH	1	0	1	0
	175	4KB	0AF000H – 0AFFFFH				
9	160	4KB	0A0000H – 0A0FFFH	1	0	0	1
	159	4KB	09F000H – 09FFFFH				
8	144	4KB	090000H – 090FFFH	1	0	0	0
	143	4KB	08F000H – 08FFFFH				
7	128	4KB	080000H – 080FFFH	0	1	1	1
	127	4KB	07F000H – 07FFFFH				
6	112	4KB	070000H – 070FFFH	0	1	1	0
	111	4KB	06F000H – 06FFFFH				
5	96	4KB	060000H – 060FFFH	0	1	0	1
	95	4KB	05F000H – 05FFFFH				
4	80	4KB	050000H – 050FFFH	0	1	0	0
	79	4KB	04F000H – 04FFFFH				
3	64	4KB	040000H – 040FFFH	0	0	1	1
	63	4KB	03F000H – 03FFFFH				
	48	4KB	030000H – 030FFFH				

Table 1: F25L08PA Sector Address Table - Continued

Block	Sector	Sector Size (Kbytes)	Address range	Block Address			
				A19	A18	A17	A16
2	47	4KB	02F000H – 02FFFFH	0	0	1	0
	:	:	:				
	32	4KB	020000H – 020FFFH				
1	31	4KB	01F000H – 01FFFFH	0	0	0	1
	:	:	:				
	16	4KB	010000H – 010FFFH				
0	15	4KB	00F000H – 00FFFFH	0	0	0	0
	:	:	:				
	0	4KB	000000H – 000FFFH				

■ STATUS REGISTER

The software status register provides status on whether the flash memory array is available for any Read or Write operation, whether the device is Write enabled, and the state of the memory Write protection. During an internal Erase or Program operation,

the status register may be read only to determine the completion of an operation in progress. Table 2 describes the function of each bit in the software status register.

Table 2: Software Status Register

Bit	Name	Function	Default at Power-up	Read/Write
0	BUSY	1 = Internal Write operation is in progress 0 = No internal Write operation is in progress	0	R
1	WEL	1 = Device is memory Write enabled 0 = Device is not memory Write enabled	0	R
2	BP0	Indicate current level of block write protection (See Table 3)	1	R/W
3	BP1	Indicate current level of block write protection (See Table 3)	1	R/W
4	BP2	Indicate current level of block write protection (See Table 3)	1	R/W
5	RESERVED	Reserved for future use	0	N/A
6	AAI	Auto Address Increment Programming status 1 = AAI programming mode 0 = Page Program mode	0	R
7	BPL	1 = BP2,BP1,BP0 are read-only bits 0 = BP2,BP1,BP0 are read/writable	0	R/W

Note:

1. Only BP0, BP1, BP2 and BPL are writable.
2. All register bits are volatility
3. All area are protected at power-on (BP2=BP1=BP0=1)

## WRITE ENABLE LATCH (WEL)

The Write-Enable-Latch bit indicates the status of the internal memory Write Enable Latch. If this bit is set to “1”, it indicates the device is Write enabled. If the bit is set to “0” (reset), it indicates the device is not Write enabled and does not accept any memory Write (Program/ Erase) commands. This bit is automatically reset under the following conditions:

- Power-up
- Write Disable (WRDI) instruction completion
- Page Program instruction completion
- Auto Address Increment (AAI) Programming is completed and reached its highest unprotected memory address
- Sector Erase instruction completion
- Block Erase instruction completion
- Chip Erase instruction completion
- Write Status Register instructions

## BUSY

The Busy bit determines whether there is an internal Erase or Program operation in progress. A “1” for the Busy bit indicates the device is busy with an operation in progress. A “0” indicates the device is ready for the next valid operation.

## Auto Address Increment (AAI)

The Auto-Address-Increment-Programming-Status bit provides status on whether the device is in AAI Programming mode or Page Program mode. The default at power up is Page Program mode.

**Table 3: F25L08PA Block Protection Table**

Protection Level	Status Register Bit			Protected Memory Area	
	BP2	BP1	BP0	Block Range	Address Range
0	0	0	0	None	None
Upper 1/16	0	0	1	Block 15	F0000H – FFFFFH
Upper 1/8	0	1	0	Block 14~15	E0000H – FFFFFH
Upper 1/4	0	1	1	Block 12~15	C0000H – FFFFFH
Upper 1/2	1	0	0	Block 8~15	80000H – FFFFFH
All Blocks	1	0	1	Block 0~15	00000H – FFFFFH
All Blocks	1	1	0	Block 0~15	00000H – FFFFFH
All Blocks	1	1	1	Block 0~15	00000H – FFFFFH

## Block Protection (BP2, BP1, BP0)

The Block-Protection (BP2, BP1, BP0) bits define the size of the memory area, as defined in Table 3, to be software protected against any memory Write (Program or Erase) operations. The Write Status Register (WRSR) instruction is used to program the BP2, BP1, BP0 bits as long as  $\overline{WP}$  is high or the Block-Protection-Look (BPL) bit is 0. Chip Erase can only be executed if Block-Protection bits are all 0. After power-up, BP2, BP1 and BP0 are set to 1.

## Block Protection Lock-Down (BPL)

$\overline{WP}$  pin driven low ( $V_{IL}$ ), enables the Block-Protection-Lock-Down (BPL) bit. When BPL is set to 1, it prevents any further alteration of the BPL, BP2, BP1, and BP0 bits. When the  $\overline{WP}$  pin is driven high ( $V_{IH}$ ), the BPL bit has no effect and its value is “Don’t Care”. After power-up, the BPL bit is reset to 0.

■ HOLD OPERATION

$\overline{\text{HOLD}}$  pin is used to pause a serial sequence underway with the SPI flash memory without resetting the clocking sequence. To activate the  $\overline{\text{HOLD}}$  mode,  $\overline{\text{CE}}$  must be in active low state. The  $\overline{\text{HOLD}}$  mode begins when the  $\overline{\text{SCK}}$  active low state coincides with the falling edge of the  $\overline{\text{HOLD}}$  signal. The HOLD mode ends when the  $\overline{\text{HOLD}}$  signal's rising edge coincides with the  $\overline{\text{SCK}}$  active low state.

If the falling edge of the  $\overline{\text{HOLD}}$  signal does not coincide with the  $\overline{\text{SCK}}$  active low state, then the device enters Hold mode when the  $\overline{\text{SCK}}$  next reaches the active low state.

Similarly, if the rising edge of the  $\overline{\text{HOLD}}$  signal does not coincide with the  $\overline{\text{SCK}}$  active low state, then the device exits in

Hold mode when the  $\overline{\text{SCK}}$  next reaches the active low state. See Figure 1 for Hold Condition waveform.

Once the device enters Hold mode,  $\text{SO}$  will be in high impedance state while  $\text{SI}$  and  $\overline{\text{SCK}}$  can be  $V_{\text{IL}}$  or  $V_{\text{IH}}$ .

If  $\overline{\text{CE}}$  is driven active high during a Hold condition, it resets the internal logic of the device. As long as  $\overline{\text{HOLD}}$  signal is low, the memory remains in the Hold condition. To resume communication with the device,  $\overline{\text{HOLD}}$  must be driven active high, and  $\overline{\text{CE}}$  must be driven active low. See Figure 26 for Hold timing.

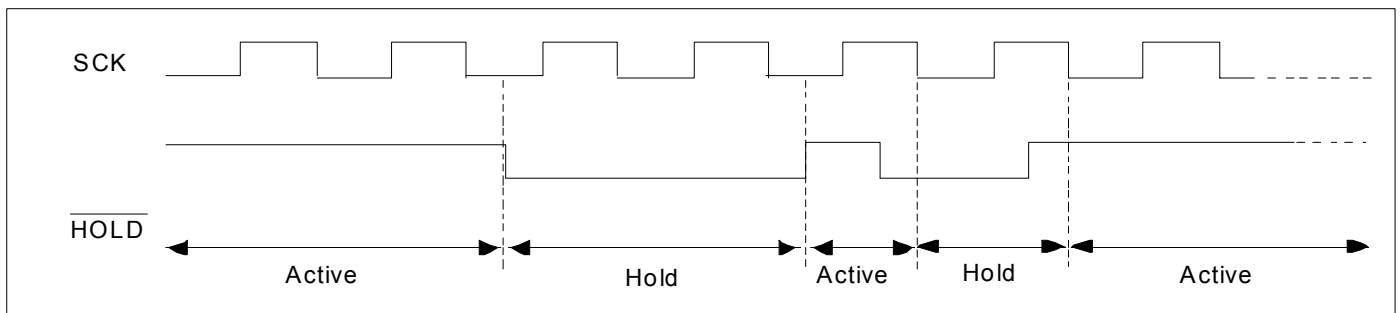


Figure 1: HOLD Condition Waveform

■ WRITE PROTECTION

F25L08PA provides software Write Protection.

The Write-Protect pin ( $\overline{\text{WP}}$ ) enables or disables the lock-down function of the status register. The Block-Protection bits (BP2, BP1, BP0, and BPL) in the status register provide Write protection to the memory array and the status register. See Table 3 for Block-Protection description.

Write Protect Pin ( $\overline{\text{WP}}$ )

The Write-Protect ( $\overline{\text{WP}}$ ) pin enables the lock-down function of the BPL bit (bit 7) in the status register. When  $\overline{\text{WP}}$  is driven low, the execution of the Write Status Register (WRSR) instruction is determined by the value of the BPL bit (see Table 4). When  $\overline{\text{WP}}$  is high, the lock-down function of the BPL bit is disabled.

Table 4: Conditions to Execute Write-Status-Register (WRSR) Instruction

$\overline{\text{WP}}$	BPL	Execute WRSR Instruction
L	1	Not Allowed
L	0	Allowed
H	X	Allowed

## ■ INSTRUCTIONS

Instructions are used to Read, Write (Erase and Program), and configure the F25L08PA. The instruction bus cycles are 8 bits each for commands (Op Code), data, and addresses. Prior to executing any Page Program, Auto Address Increment (AAI) Programming, Write Status Register, Sector Erase, Block Erase, or Chip Erase instructions, the Write Enable (WREN) instruction must be executed first. The complete list of the instructions is provided in Table 5. All instructions are synchronized off a high to low transition of  $\overline{CE}$ . Inputs will be accepted on the rising edge of SCK starting with the most significant bit.  $\overline{CE}$  must be driven

low before an instruction is entered and must be driven high after the last bit of the instruction has been shifted in (except for Read, Read ID, Read Status Register, Read Electronic Signature instructions). Any low to high transition on  $\overline{CE}$ , before receiving the last bit of an instruction bus cycle, will terminate the instruction in progress and return the device to the standby mode.

Instruction commands (Op Code), addresses, and data are all input from the most significant bit (MSB) first.

**Table 5: Device Operation Instructions**

Operation	Max. Freq	Bus Cycle <sup>1-3</sup>													
		1		2		3		4		5		6		N	
		S <sub>IN</sub>	S <sub>OUT</sub>	S <sub>IN</sub>	S <sub>OUT</sub>	S <sub>IN</sub>	S <sub>OUT</sub>	S <sub>IN</sub>	S <sub>OUT</sub>	S <sub>IN</sub>	S <sub>OUT</sub>	S <sub>IN</sub>	S <sub>OUT</sub>	S <sub>IN</sub>	S <sub>OUT</sub>
Read	33 MHz	03H	Hi-Z	A <sub>23</sub> -A <sub>16</sub>	Hi-Z	A <sub>15</sub> -A <sub>8</sub>	Hi-Z	A <sub>7</sub> -A <sub>0</sub>	Hi-Z	X	D <sub>OUT0</sub>	X	D <sub>OUT1</sub>	X	cont.
Fast Read		0BH	Hi-Z	A <sub>23</sub> -A <sub>16</sub>	Hi-Z	A <sub>15</sub> -A <sub>8</sub>	Hi-Z	A <sub>7</sub> -A <sub>0</sub>	Hi-Z	X	X	X	D <sub>OUT0</sub>	X	cont.
Fast Read Dual Output <sup>12,13</sup>		3BH		A <sub>23</sub> -A <sub>16</sub>		A <sub>15</sub> -A <sub>8</sub>		A <sub>7</sub> -A <sub>0</sub>		X		D <sub>OUT0-1</sub>		cont.	
Sector Erase <sup>4</sup> (4K Byte)		20H	Hi-Z	A <sub>23</sub> -A <sub>16</sub>	Hi-Z	A <sub>15</sub> -A <sub>8</sub>	Hi-Z	A <sub>7</sub> -A <sub>0</sub>	Hi-Z	-	-	-	-	-	-
Block Erase <sup>4</sup> (64K Byte)		D8H	Hi-Z	A <sub>23</sub> -A <sub>16</sub>	Hi-Z	A <sub>15</sub> -A <sub>8</sub>	Hi-Z	A <sub>7</sub> -A <sub>0</sub>	Hi-Z	-	-	-	-	-	-
Chip Erase		60H / C7H	Hi-Z	-	-	-	-	-	-	-	-	-	-	-	-
Page Program (PP)		02H	Hi-Z	A <sub>23</sub> -A <sub>16</sub>	Hi-Z	A <sub>15</sub> -A <sub>8</sub>	Hi-Z	A <sub>7</sub> -A <sub>0</sub>	Hi-Z	D <sub>IN0</sub>	Hi-Z	D <sub>IN1</sub>	Hi-Z	Up to 256 bytes	Hi-Z
Auto Address Increment word programming <sup>5</sup> (AAI)		ADH	Hi-Z	A <sub>23</sub> -A <sub>16</sub>	Hi-Z	A <sub>15</sub> -A <sub>8</sub>	Hi-Z	A <sub>7</sub> -A <sub>0</sub>	Hi-Z	D <sub>IN0</sub>	Hi-Z	D <sub>IN1</sub>	Hi-Z	-	-
Read Status Register (RDSR) <sup>6</sup>	50MHz	05H	Hi-Z	X	D <sub>OUT</sub>	-	-	-	-	-	-	-	-	-	-
Enable Write Status Register (EWSR) <sup>7</sup>		50H	Hi-Z	-	-	-	-	-	-	-	-	-	-	-	-
Write Status Register (WRSR) <sup>7</sup>		01H	Hi-Z	D <sub>IN</sub>	Hi-Z	-	-	-	-	-	-	-	-	-	-
Write Enable (WREN) <sup>10</sup>		06H	Hi-Z	-	-	-	-	-	-	-	-	-	-	-	-
Write Disable (WRDI)/ Exit secured OTP mode		04H	Hi-Z	-	-	-	-	-	-	-	-	-	-	-	-
Enter secured OTP mode (ENSO)	100MHz	B1H	Hi-Z	-	-	-	-	-	-	-	-	-	-	-	-
Read Electronic Signature (RES) <sup>8</sup>		ABH	Hi-Z	X	13H	-	-	-	-	-	-	-	-	-	-
RES in secured OTP mode & not lock down		ABH	Hi-Z	X	33H	-	-	-	-	-	-	-	-	-	-
RES in secured OTP mode & lock down		ABH	Hi-Z	X	73H	-	-	-	-	-	-	-	-	-	-
Jedec Read ID (JEDEC-ID) <sup>9</sup>		9FH	Hi-Z	X	8CH	X	20H	X	14H	-	-	-	-	-	-
Read ID (RDID) <sup>11</sup>		90H	Hi-Z	00H	Hi-Z	00H	Hi-Z	00H	Hi-Z	X	8CH	X	13H	-	-
								01H	Hi-Z	X	13H	X	8CH	-	-
Enable SO to output RY/ $\overline{BY}$ Status during AAI (EBSY)		70H	Hi-Z	-	-	-	-	-	-	-	-	-	-	-	-
Disable SO to output RY/ $\overline{BY}$ Status during AAI (DBSY)		80H	Hi-Z	-	-	-	-	-	-	-	-	-	-	-	-



## Note:

1. Operation:  $S_{IN}$  = Serial In,  $S_{OUT}$  = Serial Out, Bus Cycle 1 = Op Code
2. X = Dummy Input Cycles ( $V_{IL}$  or  $V_{IH}$ ); - = Non-Applicable Cycles (Cycles are not necessary); cont. = continuous
3. One bus cycle is eight clock periods.
4. Sector Erase addresses: use  $A_{MS} - A_{12}$ , remaining addresses can be  $V_{IL}$  or  $V_{IH}$   
Block Erase addresses: use  $A_{MS} - A_{16}$ , remaining addresses can be  $V_{IL}$  or  $V_{IH}$
5. To continue programming to the next sequential address location, enter the 8-bit command, followed by the data to be programmed.
6. The Read-Status-Register is continuous with ongoing clock cycles until terminated by a low to high transition on  $\overline{CE}$ .
7. The Enable-Write-Status-Register (EWSR) instruction and the Write-Status-Register (WRSR) instruction must work in conjunction of each other. The WRSR instruction must be executed immediately (very next bus cycle) after the EWSR instruction to make both instructions effective.
8. The Read-Electronic-Signature is continuous with on going clock cycles until terminated by a low to high transition on  $\overline{CE}$ .
9. The Jedec-Read-ID is output first byte 8CH as manufacture ID; second byte 20H as top memory type; third byte 14H as memory capacity.
10. The Write-Enable (WREN) instruction and the Write-Status-Register (WRSR) instruction must work in conjunction of each other. The WRSR instruction must be executed immediately (very next bus cycle) after the WREN instruction to make both instructions effective. Both EWSR and WREN can enable WRSR, user just need to execute one of it. A successful WRSR can reset WREN.
11. The Manufacture ID and Device ID output will repeat continuously until  $\overline{CE}$  terminates the instruction.
12. Dual commands use bidirectional IO pins.  $D_{OUT}$  and cont. are serial data out; others are serial data in.
13. Dual output data:  
 $IO_0 = (D_6, D_4, D_2, D_0), (D_6, D_4, D_2, D_0)$   
 $IO_1 = (D_7, D_5, D_3, D_1), (D_7, D_5, D_3, D_1)$   

$\underbrace{\hspace{10em}}_{DOUT0}$ 
 $\underbrace{\hspace{10em}}_{DOUT1}$

**Read (33MHz)**

The Read instruction supports up to 33 MHz, it outputs the data starting from the specified address location. The data output stream is continuous through all addresses until terminated by a low to high transition on  $\overline{CE}$ . The internal address pointer will automatically increment until the highest memory address is reached. Once the highest memory address is reached, the address pointer will automatically increment to the beginning (wrap-around) of the address space, i.e. for 8Mbit density, once

the data from address location FFFFFH had been read, the next output will be from address location 000000H.

The Read instruction is initiated by executing an 8-bit command, 03H, followed by address bits [A<sub>23</sub>-A<sub>0</sub>].  $\overline{CE}$  must remain active low for the duration of the Read cycle. See Figure 2 for the Read sequence.

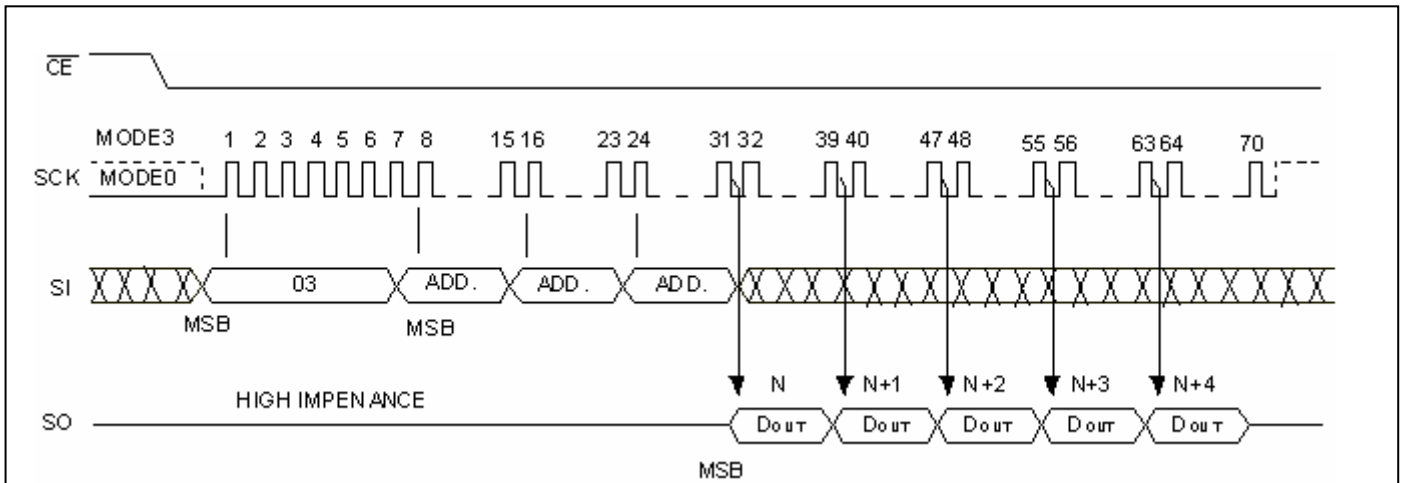


Figure 2: Read Sequence

**Fast Read (50 MHz; 100 MHz)**

The Fast Read instruction supporting up to 100 MHz is initiated by executing an 8-bit command, 0BH, followed by address bits [A<sub>23</sub>-A<sub>0</sub>] and a dummy byte.  $\overline{CE}$  must remain active low for the duration of the Fast Read cycle. See Figure 3 for the Fast Read sequence.

all addresses until terminated by a low to high transition on  $\overline{CE}$ . The internal address pointer will automatically increment until the highest memory address is reached. Once the highest memory address is reached, the address pointer will automatically increment to the beginning (wrap-around) of the address space, i.e. for 8Mbit density, once the data from address location FFFFFH has been read, the next output will be from address location 000000H.

Following a dummy byte (8 clocks input dummy cycle), the Fast Read instruction outputs the data starting from the specified address location. The data output stream is continuous through

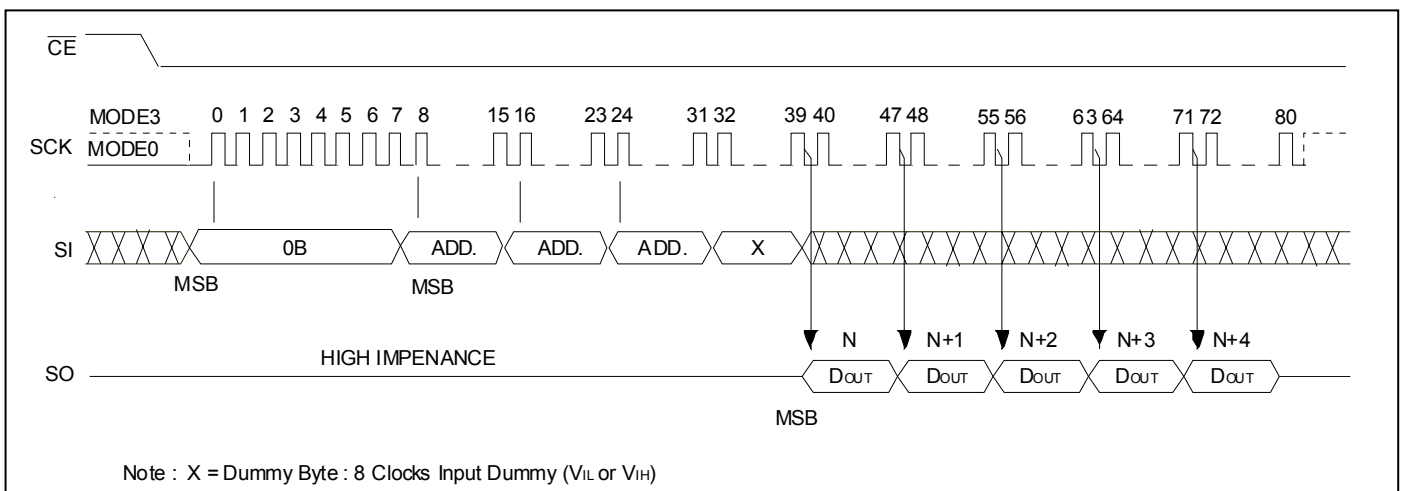


Figure 3: Fast Read Sequence

**Fast Read Dual Output (50 MHz; 100 MHz)**

The Fast Read Dual Output (3BH) instruction is similar to the standard Fast Read (0BH) instruction except the data is output on SI and SO pins. This allows data to be transferred from the device at twice the rate of standard SPI devices. This instruction is for quickly downloading code from Flash to RAM upon power-up or for applications that cache code-segments to RAM for execution.

The Fast Read Dual Output instruction is initiated by executing an 8-bit command, 3BH, followed by address bits [A<sub>23</sub>-A<sub>0</sub>] and a dummy byte.  $\overline{CE}$  must remain active low for the duration of the Fast Read Dual Output cycle. See Figure 4 for the Fast Read Dual Output sequence.

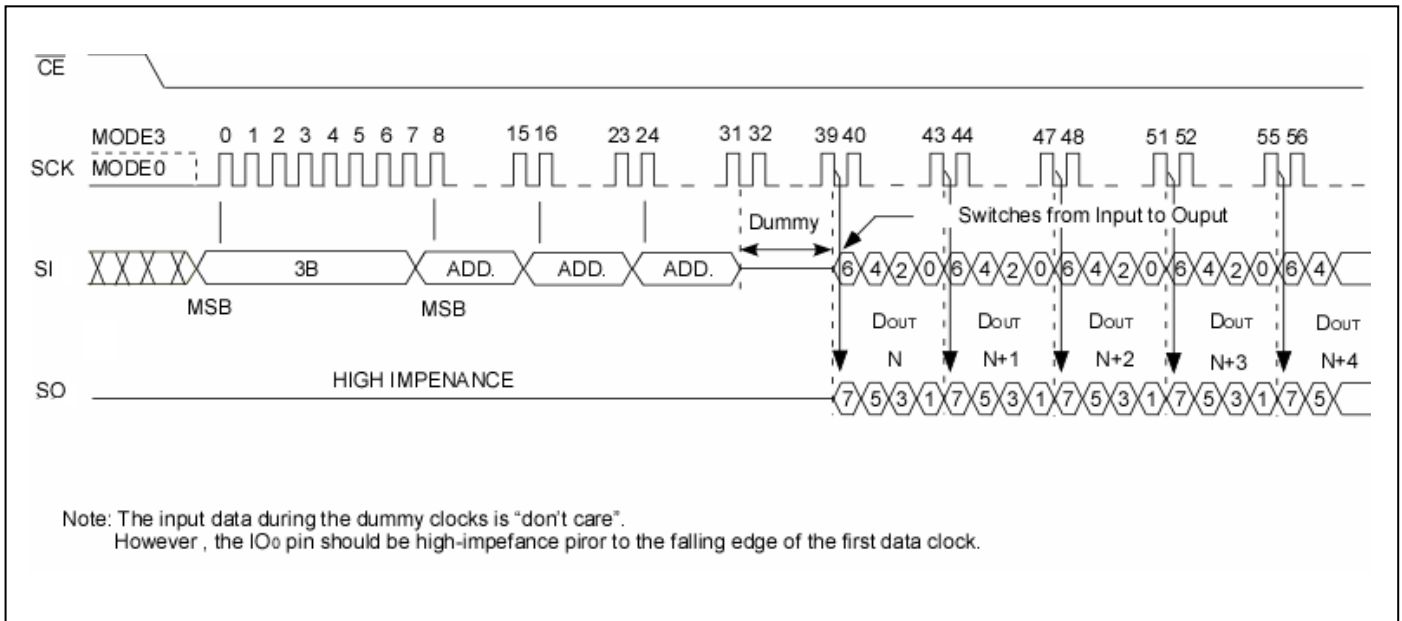


Figure 4: Fast Read Dual Output Sequence

**Page Program (PP)**

The Page Program instruction allows many bytes to be programmed in the memory. The bytes must be in the erased state (FFH) when initiating a Program operation. A Page Program instruction applied to a protected memory area will be ignored.

Prior to any Write operation, the Write Enable (WREN) instruction must be executed.  $\overline{CE}$  must remain active low for the duration of the Page Program instruction. The Page Program instruction is initiated by executing an 8-bit command, 02H, followed by address bits [A<sub>23</sub>-A<sub>0</sub>]. Following the address, at least one byte Data is input (the maximum of input data can be up to 256 bytes). If the 8 least significant address bits [A<sub>7</sub>-A<sub>0</sub>] are not all zero, all transmitted data that goes beyond the end of the current page are programmed from the start address of the same page (from the address whose 8 least significant bits [A<sub>7</sub>-A<sub>0</sub>] are all zero).

If more than 256 bytes Data are sent to the device, previously

latched data are discarded and the last 256 bytes Data are guaranteed to be programmed correctly within the same page. If less than 256 bytes Data are sent to device, they are correctly programmed at the requested addresses without having any effects on the other bytes of the same page.

$\overline{CE}$  must be driven high before the instruction is executed. The user may poll the Busy bit in the software status register or wait T<sub>PP</sub> for the completion of the internal self-timed Page Program operation. While the Page Program cycle is in progress, the Read Status Register instruction may still be accessed for checking the status of the Busy bit. It is recommended to wait for a duration of T<sub>BP</sub> before reading the status register to check the BUSY bit. The BUSY bit is a 1 during the Page Program cycle and becomes a 0 when the cycle is finished and the device is ready to accept other instructions again. After the Page Program cycle has finished, the Write-Enable-Latch (WEL) bit in the Status Register is cleared to 0. See Figure 7 for the Page Program sequence.

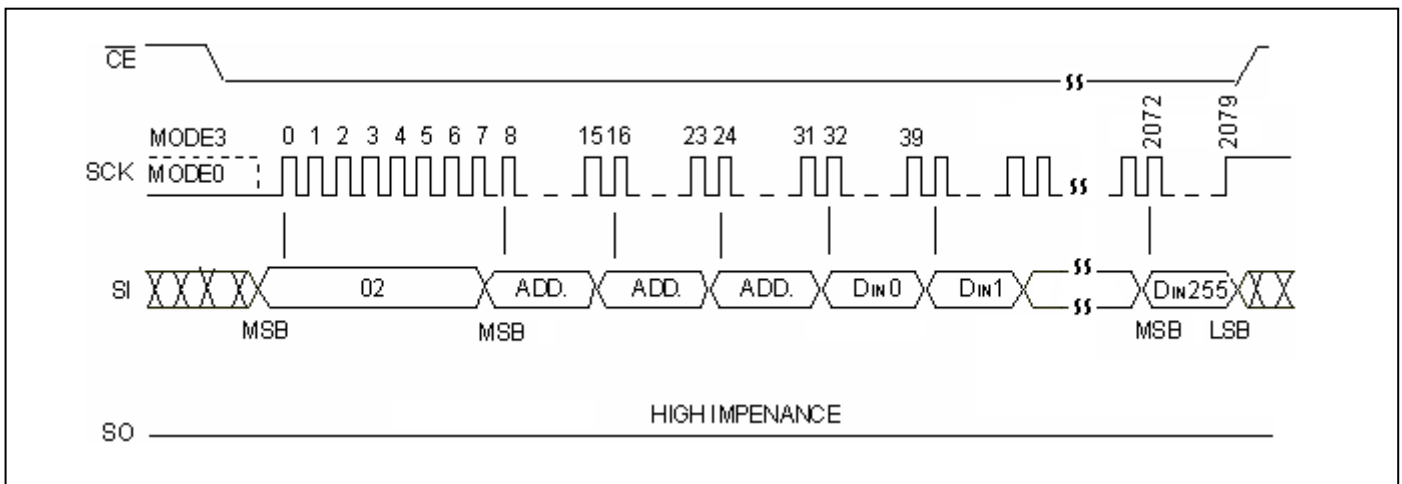


Figure 7: Page Program Sequence

**Auto Address Increment (AAI) WORD Program**

The AAI program instruction allows multiple bytes of data to be programmed without re-issuing the next sequential address location. This feature decreases total programming time when the multiple bytes or entire memory array is to be programmed. An AAI program instruction pointing to a protected memory area will be ignored. The selected address range must be in the erased state (FFH) when initiating an AAI program instruction. While within AAI WORD programming sequence, the only valid instructions are AAI WORD program operation, RDSR, WRDI. Users have three options to determine the completion of each AAI WORD program cycle: hardware detection by reading the SO; software detection by polling the BUSY in the software status register or wait T<sub>BP</sub>. Refer to End of Write Detection section for details.

Prior to any write operation, the Write Enable (WREN) instruction must be executed. The AAI WORD program instruction is initiated by executing an 8-bit command, ADH, followed by address bits [A<sub>23</sub>-A<sub>0</sub>]. Following the addresses, two bytes of data is input sequentially. The data is input sequentially from MSB (bit

7) to LSB (bit 0). The first byte of data (D0) will be programmed into the initial address [A<sub>23</sub>-A<sub>1</sub>] with A<sub>0</sub>=0; the second byte of data (D1) will be programmed into the initial address [A<sub>23</sub>-A<sub>1</sub>] with A<sub>0</sub>=1.  $\overline{CE}$  must be driven high before the AAI WORD program instruction is executed. The user must check the BUSY status before entering the next valid command. Once the device indicates it is no longer busy, data for next two sequential addresses may be programmed and so on. When the last desired byte had been entered, check the busy status using the hardware method or the RDSR instruction and execute the WRDI instruction, to terminate AAI. User must check BUSY status after WRDI to determine if the device is ready for any command. Please refer to Figure 10 and Figure 11.

There is no wrap mode during AAI programming; once the highest unprotected memory address is reached, the device will exit AAI operation and reset the Write-Enable-Latch bit (WEL = 0) and the AAI bit (AAI=0).

**End of Write Detection**

There are three methods to determine completion of a program cycle during AAI WORD programming: hardware detection by reading the SO, software detection by polling the BUSY bit in the

Software Status Register or wait T<sub>BP</sub>. The Hardware End of Write Detection method is described in the section below.

**Hardware End of Write Detection**

The Hardware End of Write Detection method eliminates the overhead of polling the BUSY bit in the Software Status Register during an AAI Word program operation. The 8-bit command, 70H, configures the SO pin to indicate Flash Busy status during AAI WORD programming (refer to Figure 8). The 8-bit command, 70H, must be executed prior to executing an AAI WORD program instruction. Once an internal programming operation begins, asserting  $\overline{CE}$  will immediately drive the status of the internal flash

status on the SO pin. A “0” Indicates the device is busy; a “1” Indicates the device is ready for the next instruction. De-asserting  $\overline{CE}$  will return the SO pin to tri-state. The 8-bit command, 80H, disables the SO pin to output busy status during AAI WORD program operation and return SO pin to output Software Status Register data during AAI WORD programming (refer to Figure 9).

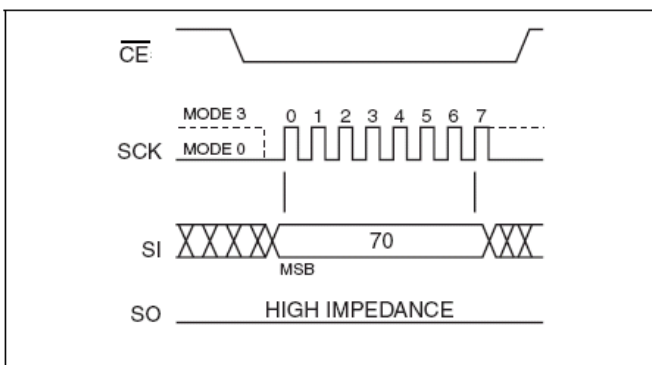


Figure 8: Enable SO as Hardware RY/BY during AAI Programming

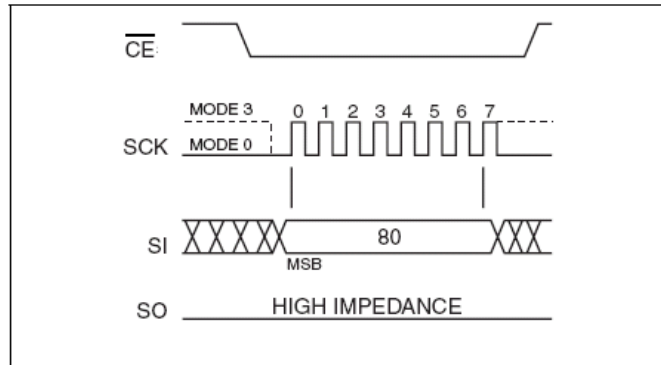


Figure 9: Disable SO as Hardware RY/BY during AAI Programming

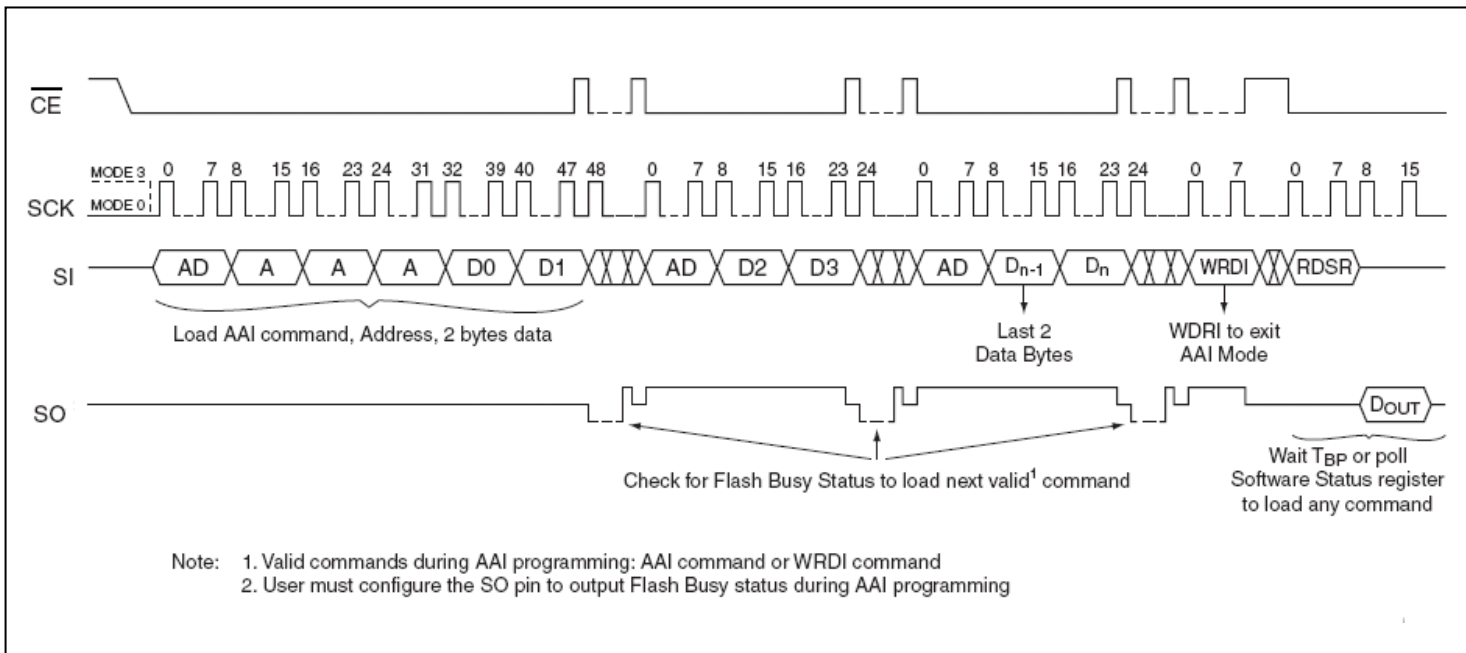


Figure 10: AAI Word Program Sequence with Hardware End of Write Detection

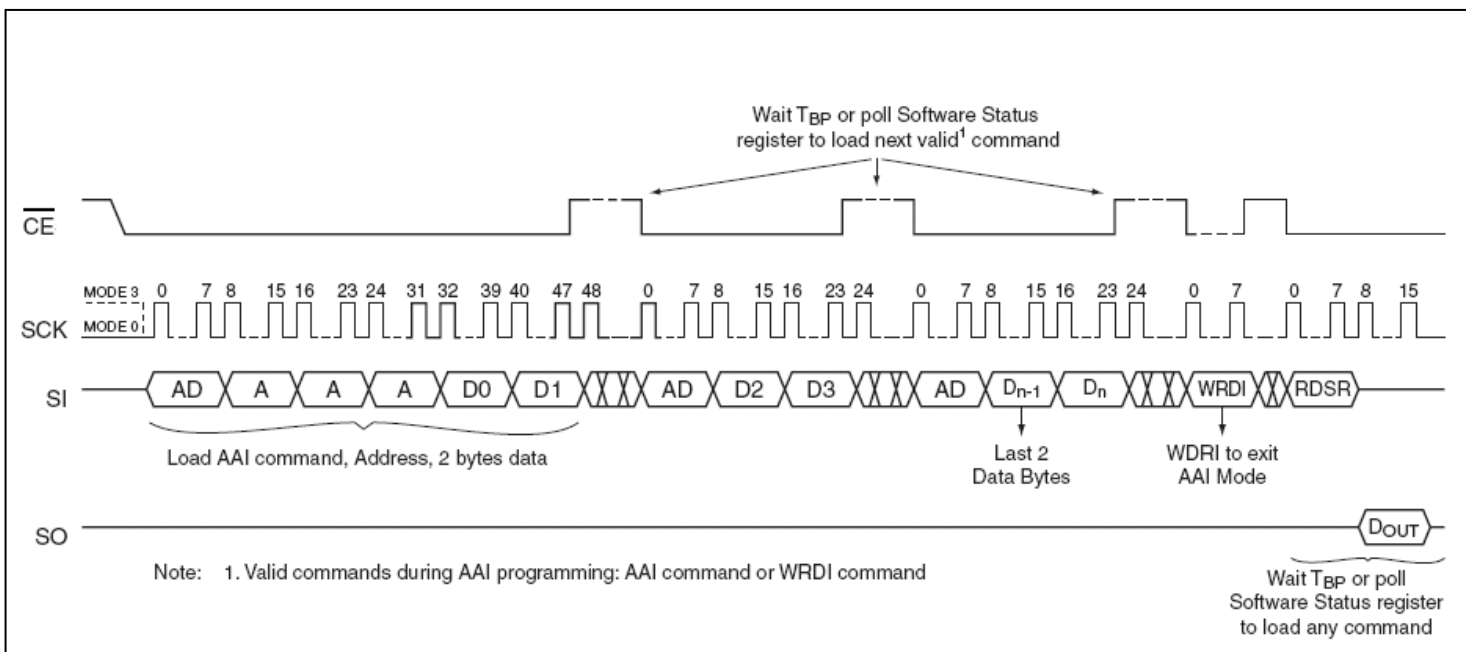


Figure 11: AAI Word Program Sequence with Software End of Write Detection

**64K Byte Block Erase**

The 64K-byte Block Erase instruction clears all bits in the selected block to FFH. A Block Erase instruction applied to a protected memory area will be ignored. Prior to any Write operation, the Write Enable (WREN) instruction must be executed.  $\overline{CE}$  must remain active low for the duration of the any command sequence. The Block Erase instruction is initiated by executing an 8-bit command, D8H, followed by address bits [A<sub>23</sub>

-A<sub>0</sub>]. Address bits [A<sub>MS</sub>-A<sub>16</sub>] (A<sub>MS</sub> = Most Significant address) are used to determine the block address (BA<sub>x</sub>), remaining address bits can be V<sub>IL</sub> or V<sub>IH</sub>.  $\overline{CE}$  must be driven high before the instruction is executed. The user may poll the Busy bit in the Software Status Register or wait T<sub>BE</sub> for the completion of the internal self-timed Block Erase cycle. See Figure 13 for the Block Erase sequence.

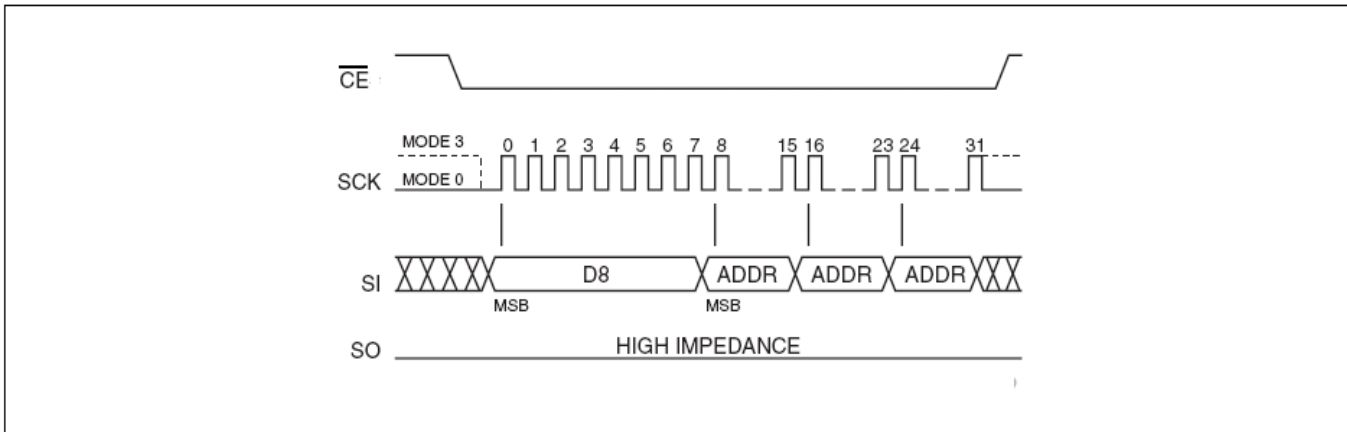


Figure 13: 64K-byte Block Erase Sequence

**4K Byte Sector Erase**

The Sector Erase instruction clears all bits in the selected sector to FFH. A Sector Erase instruction applied to a protected memory area will be ignored. Prior to any Write operation, the Write Enable (WREN) instruction must be executed.  $\overline{CE}$  must remain active low for the duration of the any command sequence. The Sector Erase instruction is initiated by executing an 8-bit command, 20H, followed by address bits [A<sub>23</sub>-A<sub>0</sub>]. Address bits

[A<sub>MS</sub>-A<sub>12</sub>] (A<sub>MS</sub> = Most Significant address) are used to determine the sector address (SA<sub>x</sub>), remaining address bits can be V<sub>IL</sub> or V<sub>IH</sub>.  $\overline{CE}$  must be driven high before the instruction is executed. The user may poll the Busy bit in the Software Status Register or wait T<sub>SE</sub> for the completion of the internal self-timed Sector Erase cycle. See Figure 14 for the Sector Erase sequence.

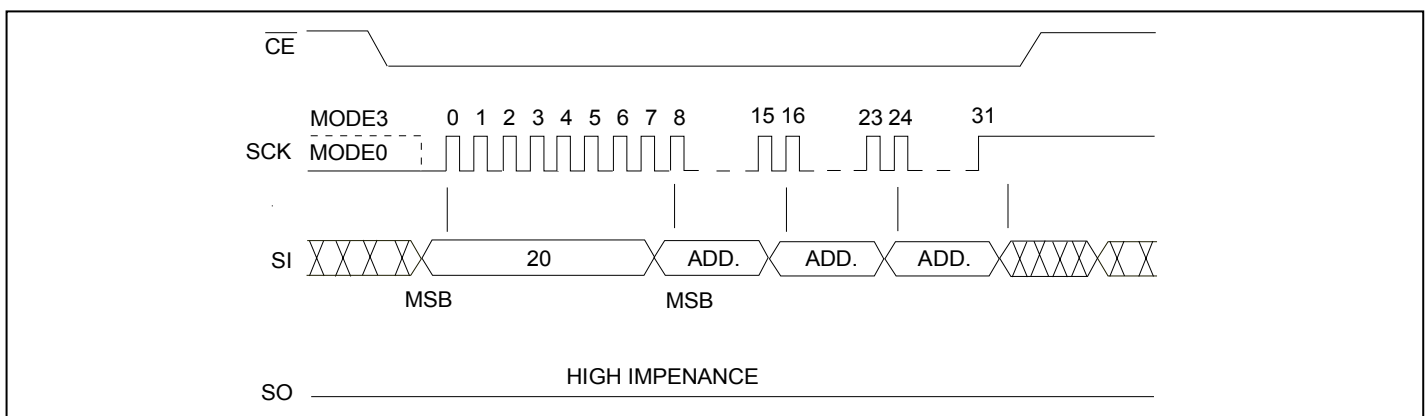


Figure 14: 32K-byte Sector Erase Sequence

**Chip Erase**

The Chip Erase instruction clears all bits in the device to FFH. A Chip Erase instruction will be ignored if any of the memory area is protected. Prior to any Write operation, the Write Enable (WREN) instruction must be executed.  $\overline{CE}$  must remain active low for the duration of the Chip-Erase instruction sequence. The Chip

Erase instruction is initiated by executing an 8-bit command, 60H or C7H.  $\overline{CE}$  must be driven high before the instruction is executed. The user may poll the Busy bit in the Software Status Register or wait  $T_{CE}$  for the completion of the internal self-timed Chip Erase cycle. See Figure 15 for the Chip Erase sequence.

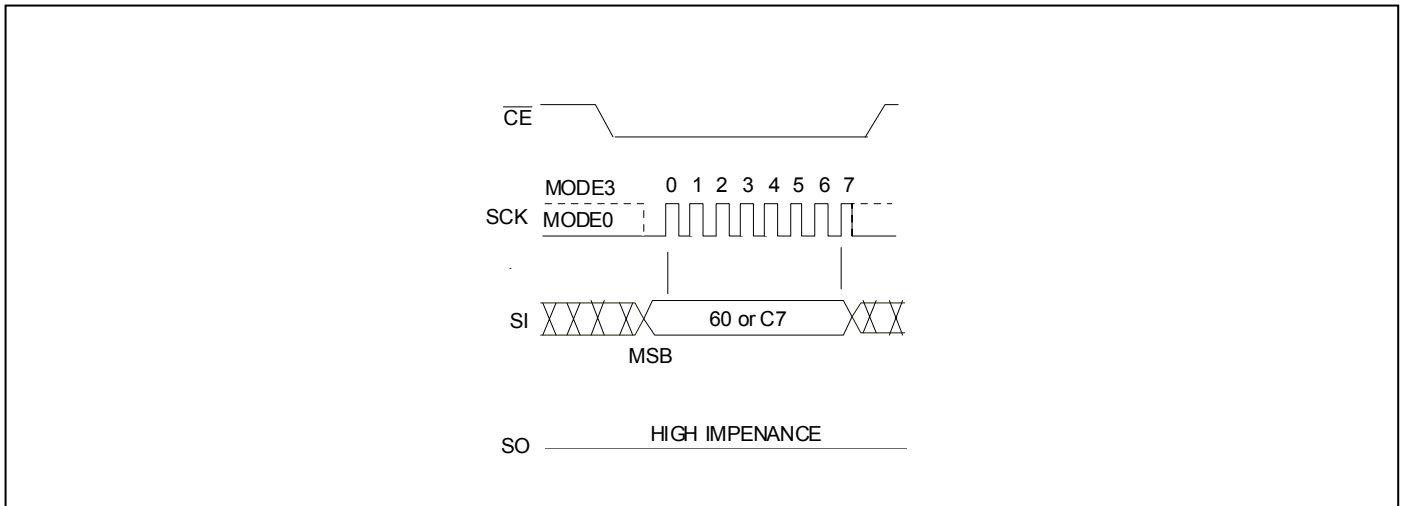


Figure 15: Chip Erase Sequence

**Read Status Register (RDSR)**

The Read Status Register (RDSR) instruction allows reading of the status register. The status register may be read at any time even during a Write (Program/Erase) operation. When a Write operation is in progress, the Busy bit may be checked before sending any new commands to assure that the new commands are properly received by the device.

$\overline{CE}$  must be driven low before the RDSR instruction is entered and remain low until the status data is read. Read Status Register is continuous with ongoing clock cycles until it is terminated by a low to high transition of the  $\overline{CE}$ . See Figure 16 for the RDSR instruction sequence.

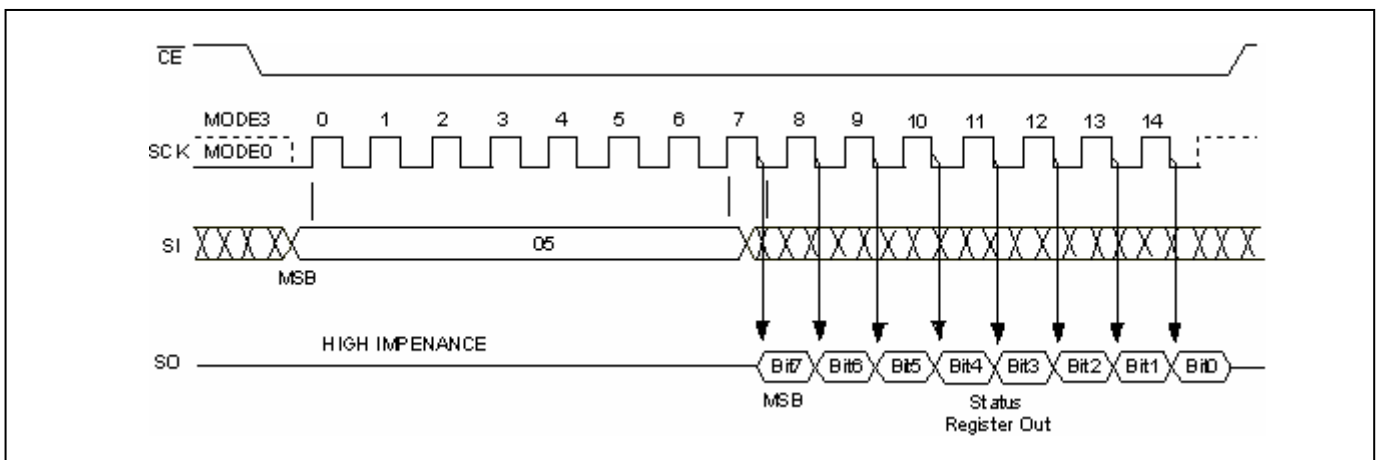


Figure 16: Read-Status-Register (RDSR) Sequence



**Write Enable (WREN)**

The Write Enable (WREN) instruction sets the Write-Enable-Latch bit in the Software Status Register to 1 allowing Write operations to occur.

The WREN instruction must be executed prior to any Write

(Program/Erase) operation.  $\overline{CE}$  must be driven high before the WREN instruction is executed.

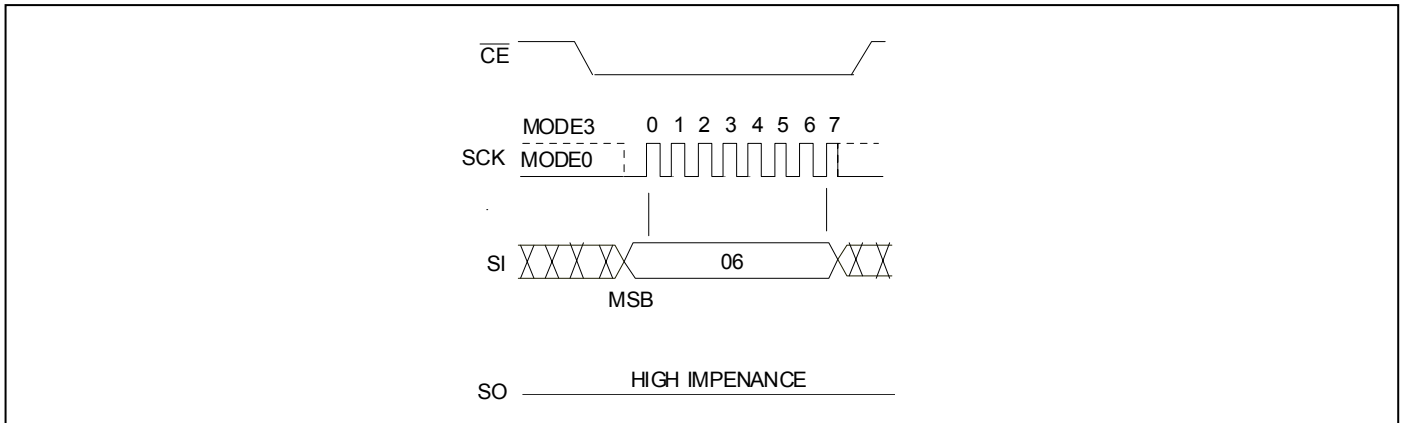


Figure 17: Write Enable (WREN) Sequence

**Write Disable (WRDI)**

The Write Disable (WRDI) instruction resets the Write-Enable-Latch bit to 0 disabling any new Write operations from occurring or exits from OTP mode to normal mode.

$\overline{CE}$  must be driven high before the WRDI instruction is executed.

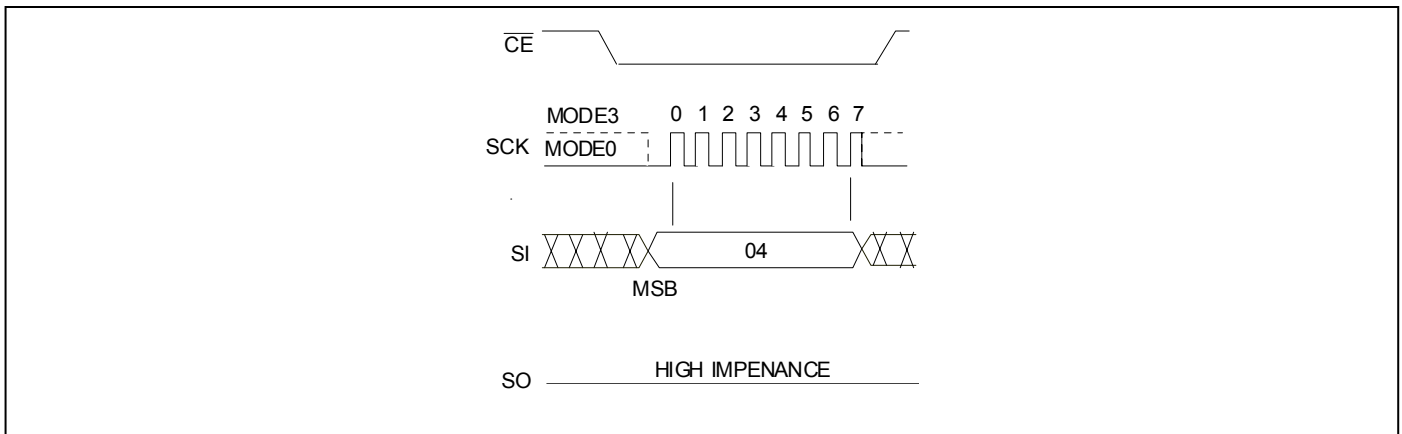


Figure 18: Write Disable (WRDI) Sequence

**Enable Write Status Register (EWSR)**

The Enable Write Status Register (EWSR) instruction arms the Write Status Register (WRSR) instruction and opens the status register for alteration. The Enable Write Status Register instruction does not have any effect and will be wasted, if it is not followed immediately by the Write Status Register (WRSR)

instruction.  $\overline{CE}$  must be driven low before the EWSR instruction is entered and must be driven high before the EWSR instruction is executed.

**Write Status Register (WRSR)**

The Write Status Register instruction writes new values to the BP2, BP1, BP0, and BPL bits of the status register.  $\overline{CE}$  must be driven low before the command sequence of the WRSR instruction is entered and driven high before the WRSR instruction is executed. See Figure 19 for EWSR or WREN and WRSR instruction sequences.

Executing the Write Status Register instruction will be ignored when  $\overline{WP}$  is low and BPL bit is set to "1". When the  $\overline{WP}$  is low, the BPL bit can only be set from "0" to "1" to lock down the status register, but cannot be reset from "1" to "0".

When  $\overline{WP}$  is high, the lock-down function of the BPL bit is disabled and the BPL, BP0, BP1, and BP2 bits in the status register can all be changed. As long as BPL bit is set to 0 or  $\overline{WP}$  pin is driven high ( $V_{IH}$ ) prior to the low-to-high transition of the  $\overline{CE}$  pin at the end of the WRSR instruction, the bits in the status register can all be altered by the WRSR instruction. In this case, a single WRSR instruction can set the BPL bit to "1" to lock down the status register as well as altering the BP0; BP1 and BP2 bits at the same time. See Table 4 for a summary description of  $\overline{WP}$  and BPL functions.

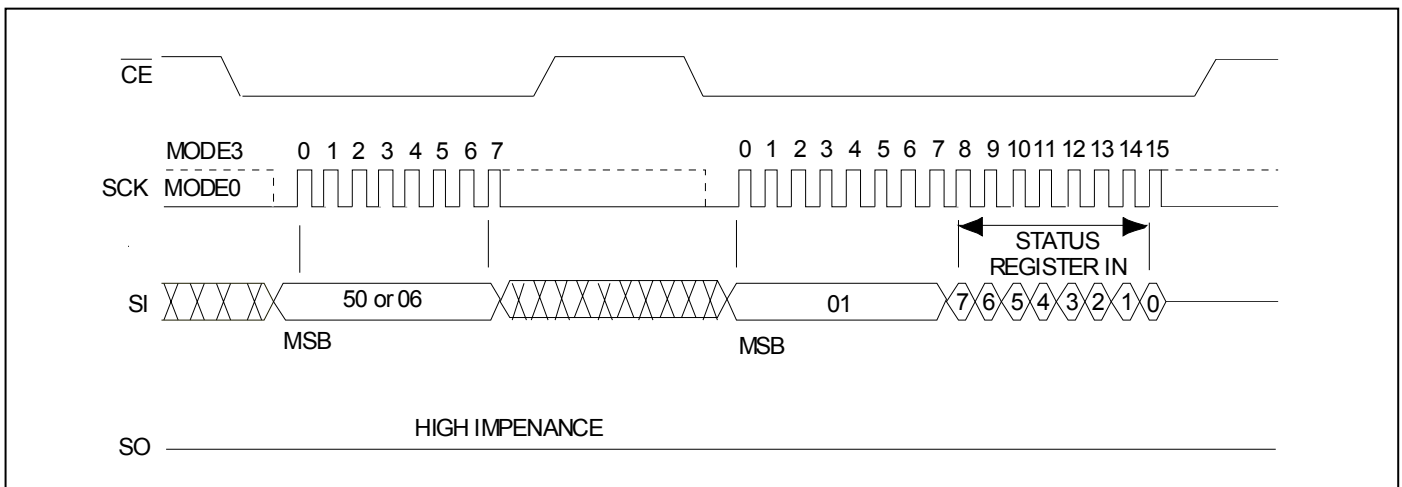


Figure 19: Enable Write Status Register (EWSR) or Write Enable (WREN) and Write Status Register (WRSR)

**Enter Secured OTP Mode (ENSO)**

The ENSO (B1H) instruction is for entering the additional 4K bytes secured OTP mode. The additional 4K bytes secured OTP sector is independent from main array, which may use to store unique serial number for system identifier. User must unprotect whole array (BP0=BP1=BP2=0), prior to any Program operation in OTP sector. After entering the secured OTP mode, only the secured OTP sector can be accessed and user can only follow the Read or Program procedure with OTP address range

(address bits  $[A_{23}-A_{12}]$  must be "0"). The secured OTP data cannot be updated again once it is lock down or has been programmed. In secured OTP mode, WRSR command will ignore the input data and lock down the secured OTP sector (OTP\_lock bit =1). To exit secured OTP mode, user must execute WRDI command. RES can be used to verify the secured OTP status as shown in Table 6.

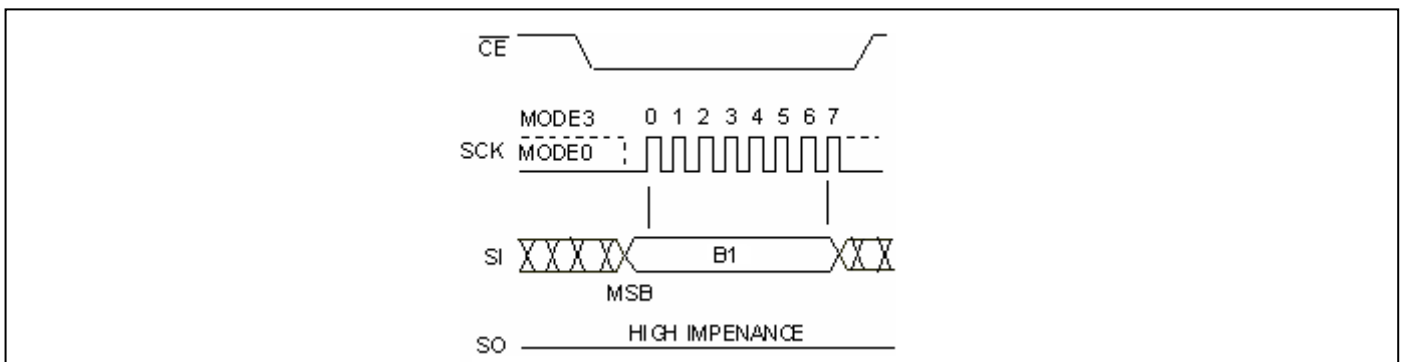


Figure 20: Enter OTP Mode (ENSO) Sequence

OTP Sector Address

Size	Address Range
4K bytes	000000H ~ 000FFFH

Note: The OTP sector is an independent Sector.

Read-Electronic-Signature (RES)

The RES instruction can be used to read the 8-bit Electronic Signature of the device on the SO pin. The RES instruction can provide access to the Electronic Signature of the device (except while an Erase, Program or WRSR cycle is in progress), Any

RES instruction executed while an Erase, Program or WRSR cycle is in progress is no decoded, and has no effect on the cycle in progress. In OTP mode, user also can execute RES to confirm the status.

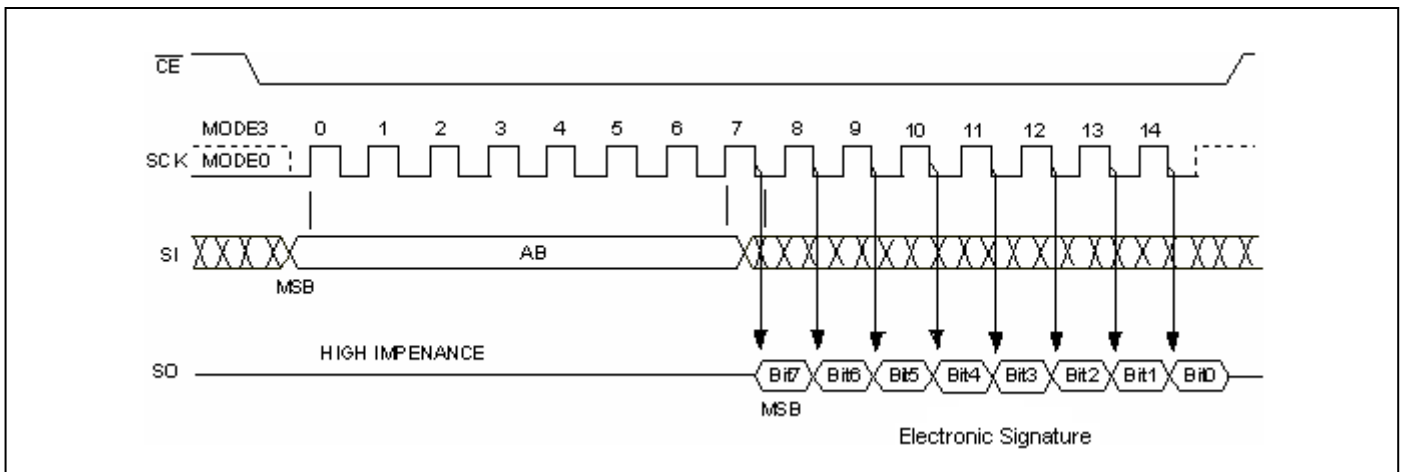


Figure 21: Read-Electronic-Signature (RES) Instruction

Table 6: Electronic Signature Data

Command	Mode	Electronic Signature Data
RES	Normal	13H
	In secured OTP mode & non lock down (OTP_lock =0)	33H
	In secured OTP mode & lock down (OTP_lock =1)	73H

**JEDEC Read-ID**

The JEDEC Read-ID instruction identifies the device as F25L08PA and the manufacturer as ESMT. The device information can be read from executing the 8-bit command, 9FH. Following the JEDEC Read-ID instruction, the 8-bit manufacturer's ID, 8CH, is output from the device. After that, a 16-bit device ID is shifted out on the SO pin. Byte1, 8CH, identifies the manufacturer as ESMT. Byte2, 20H, identifies the memory type as SPI Flash. Byte3, 14H, identifies the device as

F25L08PA. The instruction sequence is shown in Figure 22. The JEDEC Read ID instruction is terminated by a low to high transition on  $\overline{CE}$  at any time during data output. If no other command is issued after executing the JEDEC Read-ID instruction, issue a 00H (NOP) command before going into Standby Mode ( $\overline{CE} = V_{IH}$ ).

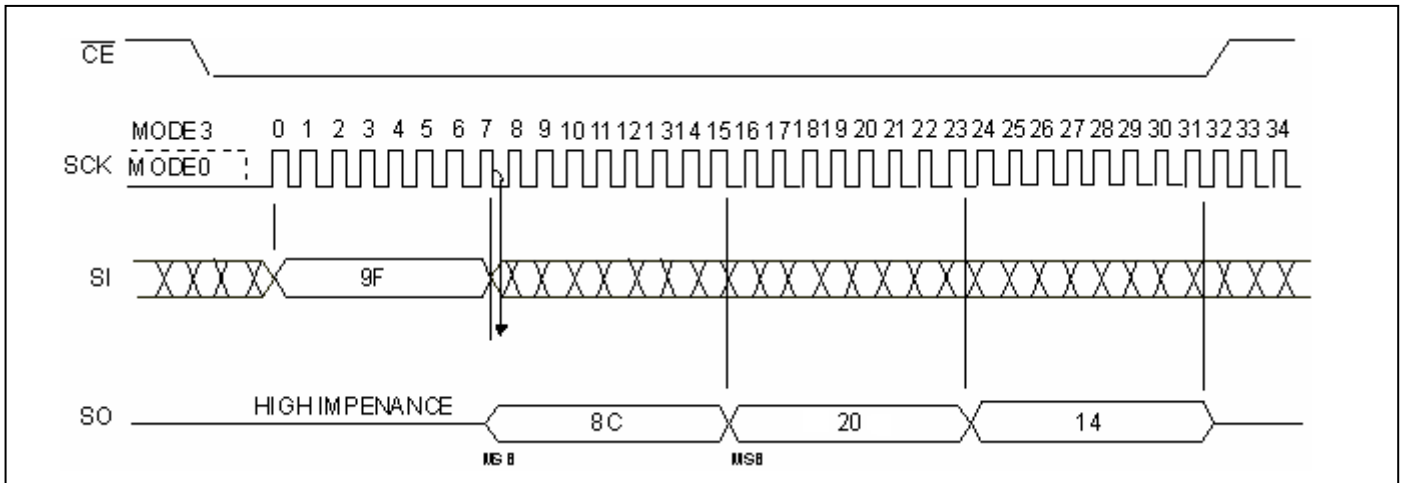


Figure 22: JEDEC Read-ID Sequence

Table 7: JEDEC Read-ID Data

Manufacturer's ID (Byte 1)	Device ID	
	Memory Type (Byte 2)	Memory Capacity (Byte 3)
8CH	20H	14H

**Read-ID (RDID)**

The Read-ID instruction (RDID) identifies the devices as F25L08PA and manufacturer as ESMT. This command is backward compatible to all ESMT SPI devices and should be used as default device identification when multiple versions of ESMT SPI devices are used in one design. The device information can be read from executing an 8-bit command, 90H, followed by address bits [A<sub>23</sub> -A<sub>0</sub>]. Following the Read-ID

instruction, the manufacturer's ID is located in address 00000H and the device ID is located in address 00001H. Once the device is in Read-ID mode, the manufacturer's and device ID output data toggles between address 00000H and 00001H until terminated by a low to high transition on  $\overline{CE}$ .

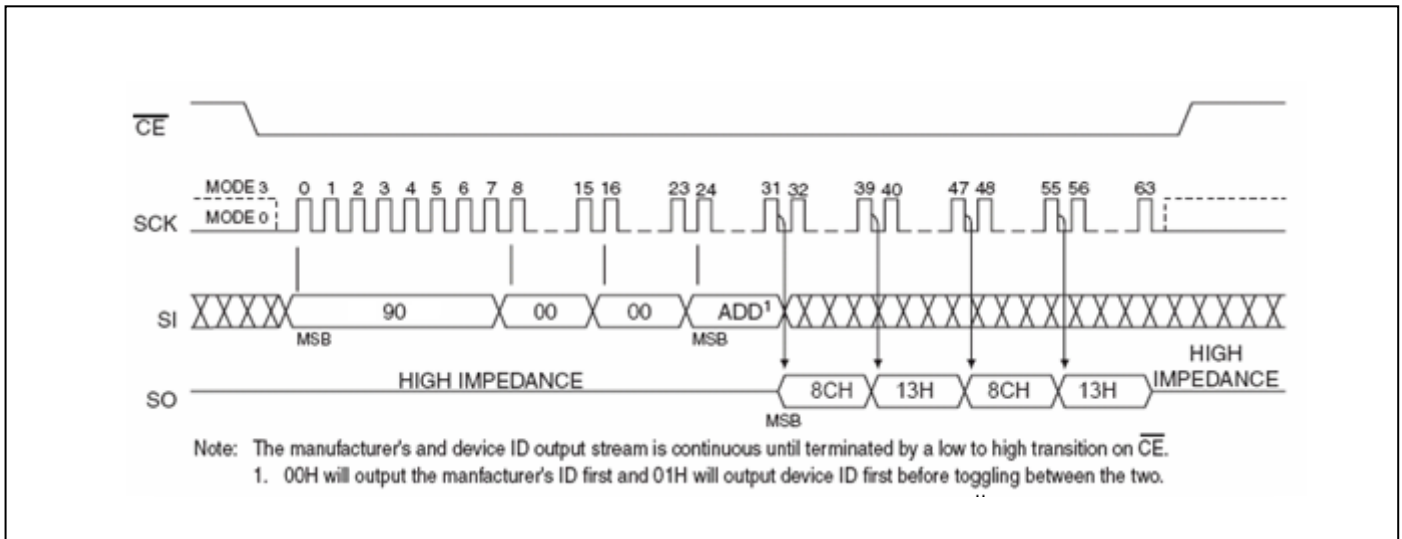


Figure 23: Read-ID Sequence

**Table 8: Product ID Data**

Address	Byte1	Byte2
00000H	8CH	13H
	Manufacturer's ID	Device ID ESMT F25L08PA
00001H	13H	8CH
	Device ID ESMT F25L08PA	Manufacturer's ID

■ ELECTRICAL SPECIFICATIONS

**Absolute Maximum Stress Ratings**

(Applied conditions are greater than those listed under “Absolute Maximum Stress Ratings” may cause permanent damage to the device. This is a stress rating only and functional operation of the device at these conditions or conditions greater than those defined in the operational sections of this datasheet is not implied. Exposure to absolute maximum stress rating conditions may affect device reliability.)

Storage Temperature .....	-65°C to +150°C
D. C. Voltage on Any Pin to Ground Potential .....	-0.5V to VDD+0.5V
Transient Voltage (<20 ns) on Any Pin to Ground Potential .....	-2.0V to VDD+2.0V
Package Power Dissipation Capability (T <sub>A</sub> = 25°C) .....	1.0W
Surface Mount Lead Soldering Temperature (3 Seconds) .....	240°C
Output Short Circuit Current (Note 1) .....	50 mA

( Note 1: Output shorted for no more than one second. No more than one output shorted at a time. )

**AC CONDITIONS OF TEST**

Input Rise/Fall Time .....	5 ns
Output Load .....	C <sub>L</sub> = 15 pF for ≥ 75MHz
.....	C <sub>L</sub> = 30 pF for ≤ 50MHz
See Figures 28 and 29	

**OPERATING RANGE**

Parameter	Symbol	Value	Unit
Operating Supply Voltage	V <sub>DD</sub> (for F <sub>CLK</sub> ≤ 50MHz)	2.7 ~ 3.6	V
	V <sub>DD</sub> (for F <sub>CLK</sub> = 100MHz)	3.0 ~3.6	
Ambient Operating Temperature	T <sub>A</sub>	-40 ~ 85	°C

**Table 9: DC OPERATING CHARACTERISTICS**

Symbol	Parameter	Limits			Test Condition
		Min	Max	Unit	
I <sub>DDR1</sub>	Read Current @33 MHz	Standard	15	mA	$\overline{CE} = 0.1 V_{DD}/0.9 V_{DD}$ , SO=open
		Dual	18		
I <sub>DDR2</sub>	Read Current @ 50MHz	Standard	20	mA	$\overline{CE} = 0.1 V_{DD}/0.9 V_{DD}$ , SO=open
		Dual	23		
I <sub>DDR3</sub>	Read Current @ 100MHz	Standard	25	mA	$\overline{CE} = 0.1 V_{DD}/0.9 V_{DD}$ , SO=open
		Dual	28		
I <sub>DDW</sub>	Program and Erase Current		35	mA	$\overline{CE} = V_{DD}$
I <sub>SB</sub>	Standby Current		30	μA	$\overline{CE} = V_{DD}$ , V <sub>IN</sub> = V <sub>DD</sub> or V <sub>SS</sub>
I <sub>LI</sub>	Input Leakage Current		1	μA	V <sub>IN</sub> =GND to V <sub>DD</sub> , V <sub>DD</sub> =V <sub>DD</sub> Max
I <sub>LO</sub>	Output Leakage Current		1	μA	V <sub>OUT</sub> =GND to V <sub>DD</sub> , V <sub>DD</sub> =V <sub>DD</sub> Max
V <sub>IL</sub>	Input Low Voltage		0.8	V	V <sub>DD</sub> =V <sub>DD</sub> Min
V <sub>IH</sub>	Input High Voltage	0.7 x V <sub>DD</sub>		V	V <sub>DD</sub> =V <sub>DD</sub> Max
V <sub>OL</sub>	Output Low Voltage		0.2	V	I <sub>OL</sub> =100 μA, V <sub>DD</sub> =V <sub>DD</sub> Min
V <sub>OH</sub>	Output High Voltage	V <sub>DD</sub> -0.2		V	I <sub>OH</sub> =-100 μA, V <sub>DD</sub> =V <sub>DD</sub> Min

**Table 10: LATCH UP CHARACTERISTIC**

Symbol	Parameter	Minimum	Unit	Test Method
I <sub>LTH</sub> <sup>1</sup>	Latch Up	100 + I <sub>DD</sub>	mA	JEDEC Standard 78

Note 1: This parameter is measured only for initial qualification and after a design or process change that could affect this parameter.

**Table 11: RECOMMENDED SYSTEM POWER-UP TIMINGS**

Symbol	Parameter	Minimum	Unit
T <sub>PU-READ</sub> <sup>1</sup>	V <sub>DD</sub> Min to Read Operation	10	μs
T <sub>PU-WRITE</sub> <sup>1</sup>	V <sub>DD</sub> Min to Write Operation	10	μs

**Table 12: CAPACITANCE (T<sub>A</sub> = 25°C, f=1 MHz, other pins open)**

Parameter	Description	Test Condition	Maximum
C <sub>OUT</sub> <sup>1</sup>	Output Pin Capacitance	V <sub>OUT</sub> = 0V	12 pF
C <sub>IN</sub> <sup>1</sup>	Input Capacitance	V <sub>IN</sub> = 0V	6 pF

Note 1: This parameter is measured only for initial qualification and after a design or process change that could affect this parameter.

**Table 13: AC OPERATING CHARACTERISTICS**

Symbol	Parameter	Normal 33MHz		Fast 50 MHz		Fast 100 MHz		Unit
		Min	Max	Min	Max	Min	Max	
F <sub>CLK</sub>	Serial Clock Frequency		33		50		100	MHz
T <sub>SCKH</sub>	Serial Clock High Time	13		9		5		ns
T <sub>SCKL</sub>	Serial Clock Low Time	13		9		5		ns
T <sub>CES</sub> <sup>1</sup>	$\overline{CE}$ Active Setup Time	5		5		5		ns
T <sub>CEH</sub> <sup>1</sup>	$\overline{CE}$ Active Hold Time	5		5		5		ns
T <sub>CHS</sub> <sup>1</sup>	$\overline{CE}$ Not Active Setup Time	5		5		5		ns
T <sub>CHH</sub> <sup>1</sup>	$\overline{CE}$ Not Active Hold Time	5		5		5		ns
T <sub>CPH</sub>	$\overline{CE}$ High Time	100		100		100		ns
T <sub>CHZ</sub>	$\overline{CE}$ High to High-Z Output		9		9		9	ns
T <sub>CLZ</sub>	SCK Low to Low-Z Output	0		0		0		ns
T <sub>DS</sub>	Data In Setup Time	3		3		3		ns
T <sub>DH</sub>	Data In Hold Time	3		3		3		ns
T <sub>HLS</sub>	$\overline{HOLD}$ Low Setup Time	5		5		5		ns
T <sub>HHS</sub>	$\overline{HOLD}$ High Setup Time	5		5		5		ns
T <sub>HLH</sub>	$\overline{HOLD}$ Low Hold Time	5		5		5		ns
T <sub>HHH</sub>	$\overline{HOLD}$ High Hold Time	5		5		5		ns
T <sub>HZ</sub>	$\overline{HOLD}$ Low to High-Z Output		9		9		9	ns
T <sub>LZ</sub>	$\overline{HOLD}$ High to Low-Z Output		9		9		9	ns
T <sub>OH</sub>	Output Hold from SCK Change	0		0		0		ns
T <sub>V</sub>	Output Valid from SCK		12		8		7	ns

Note 1: Relative to SCK.

## ■ ERASE AND PROGRAMMING PERFORMANCE

Parameter	Symbol	Limit		Unit
		Typ <sup>2</sup>	Max <sup>3</sup>	
Sector Erase Time	T <sub>SE</sub>	90	200	ms
Block Erase Time	T <sub>BE</sub>	1	2	s
Chip Erase Time	T <sub>CE</sub>	10	30	s
Byte Programming Time	T <sub>BP</sub>	7	30	us
Page Programming Time	T <sub>PP</sub>	1.5	5	ms
Chip Programming Time		25	100	s
Erase/Program Cycles <sup>1</sup>		100,000	-	Cycles
Data Retention		20	-	Years

### Notes:

1. Not 100% Tested, Excludes external system level over head.
2. Typical values measured at 25°C, 3V.
3. Maximum values measured at 85°C, V<sub>DD</sub>(min).



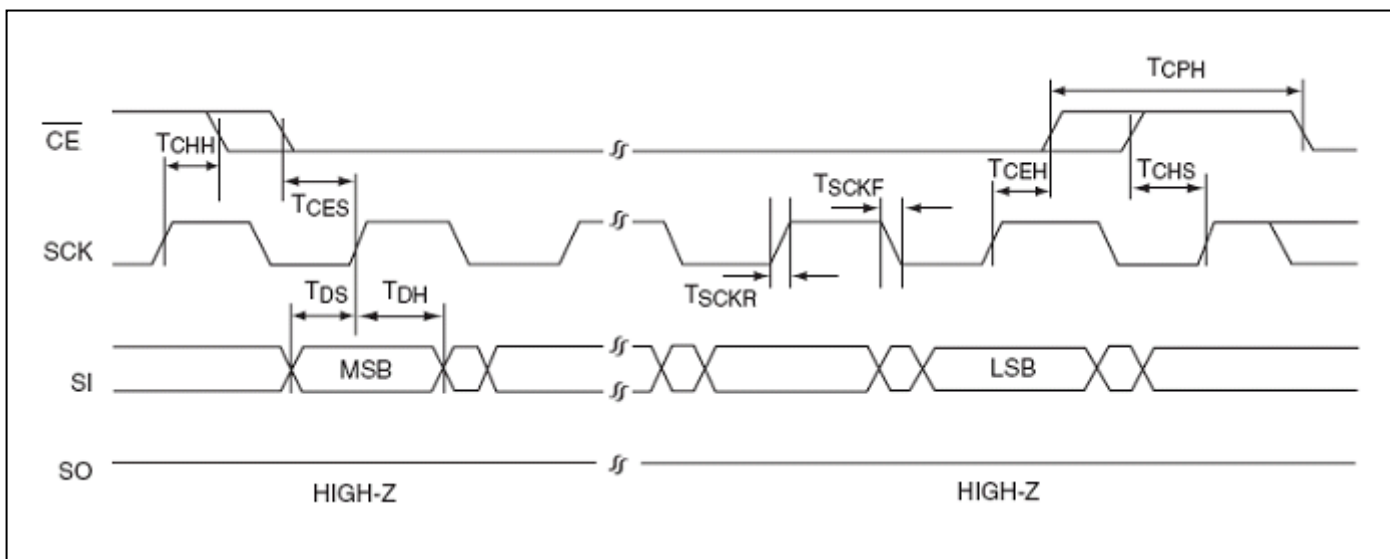


Figure 24: Serial Input Timing Diagram

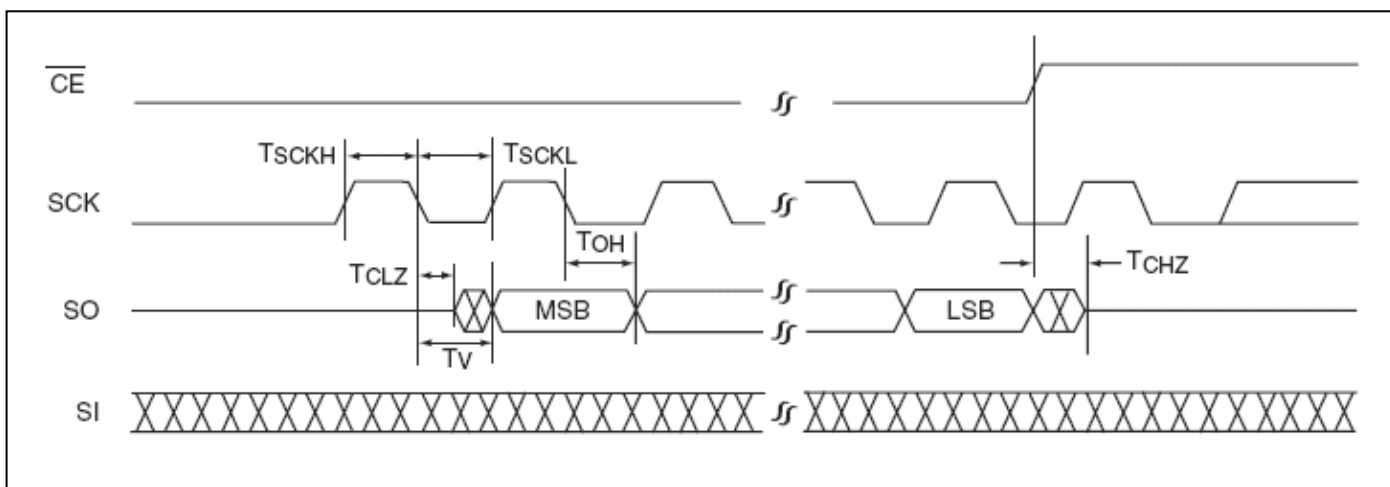


Figure 25: Serial Output Timing Diagram

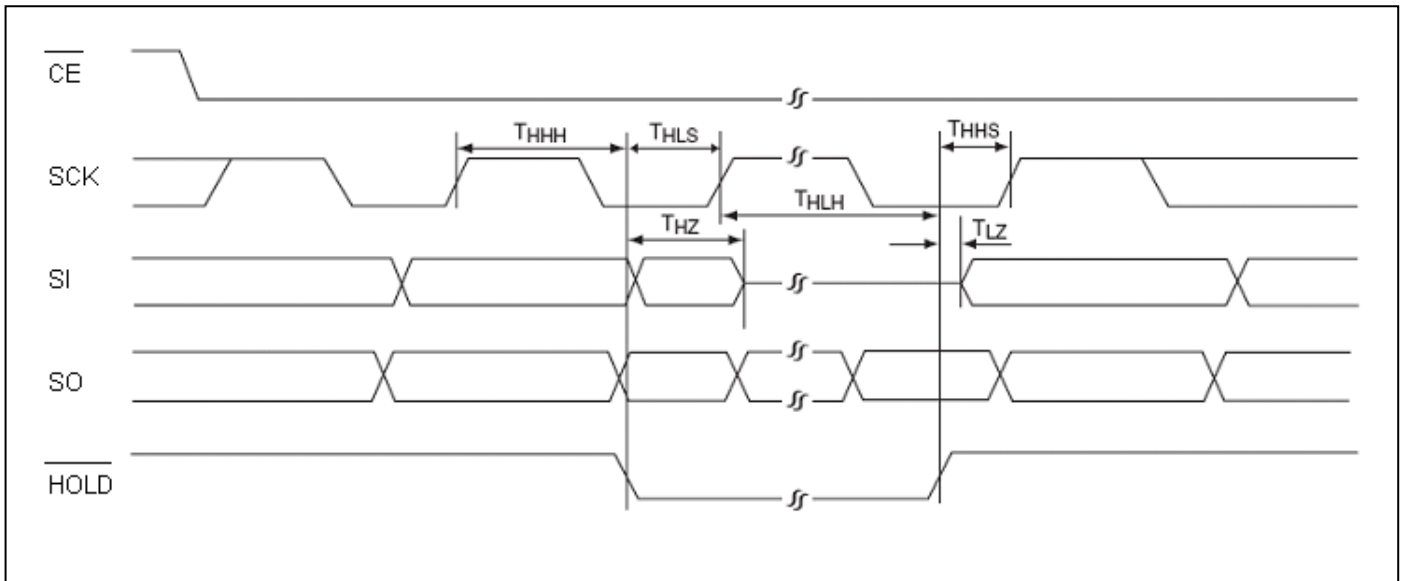


Figure 26: HOLD Timing Diagram

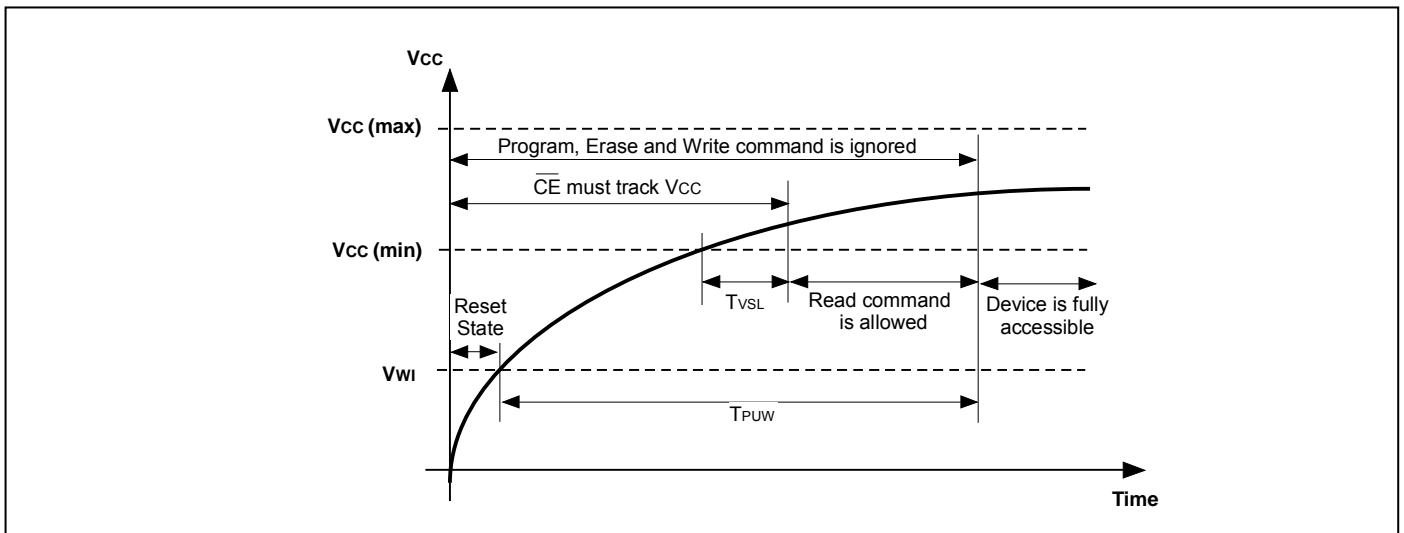


Figure 27: Power-Up Timing Diagram

Table 14: Power-Up Timing and Vwi Threshold

Parameter	Symbol	Min.	Max.	Unit
V <sub>cc</sub> (min) to $\overline{CE}$ low	T <sub>VSL</sub>	200		us
Time Delay before Write instruction	T <sub>PUW</sub>		10	ms
Write Inhibit Threshold Voltage	V <sub>wi</sub>	1	2	V

Note: These parameters are characterized only.

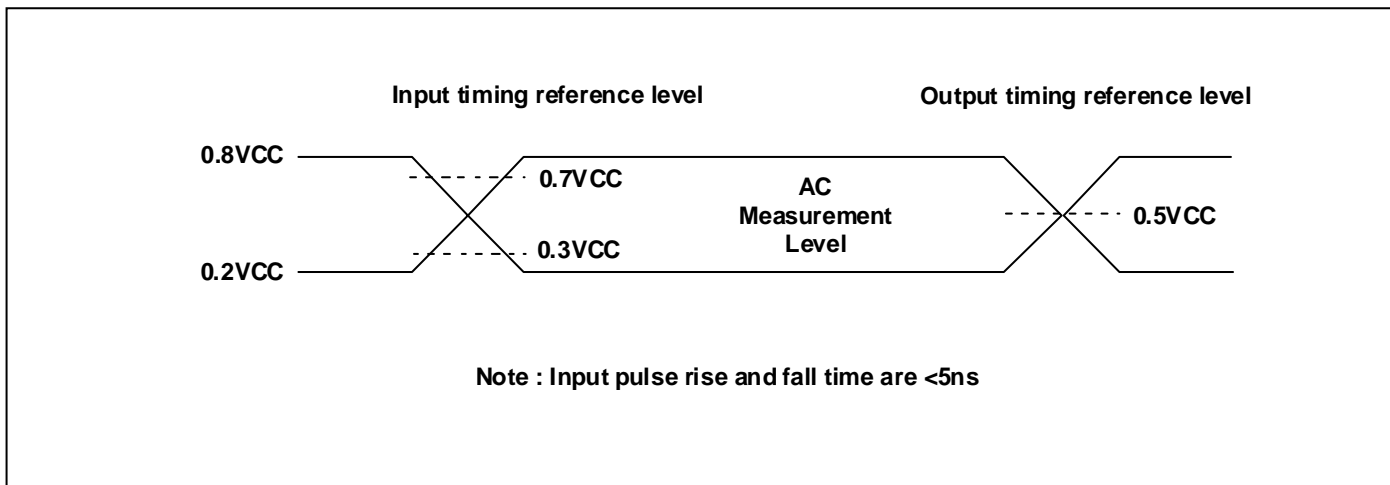


Figure 28: AC Input/Output Reference Waveforms

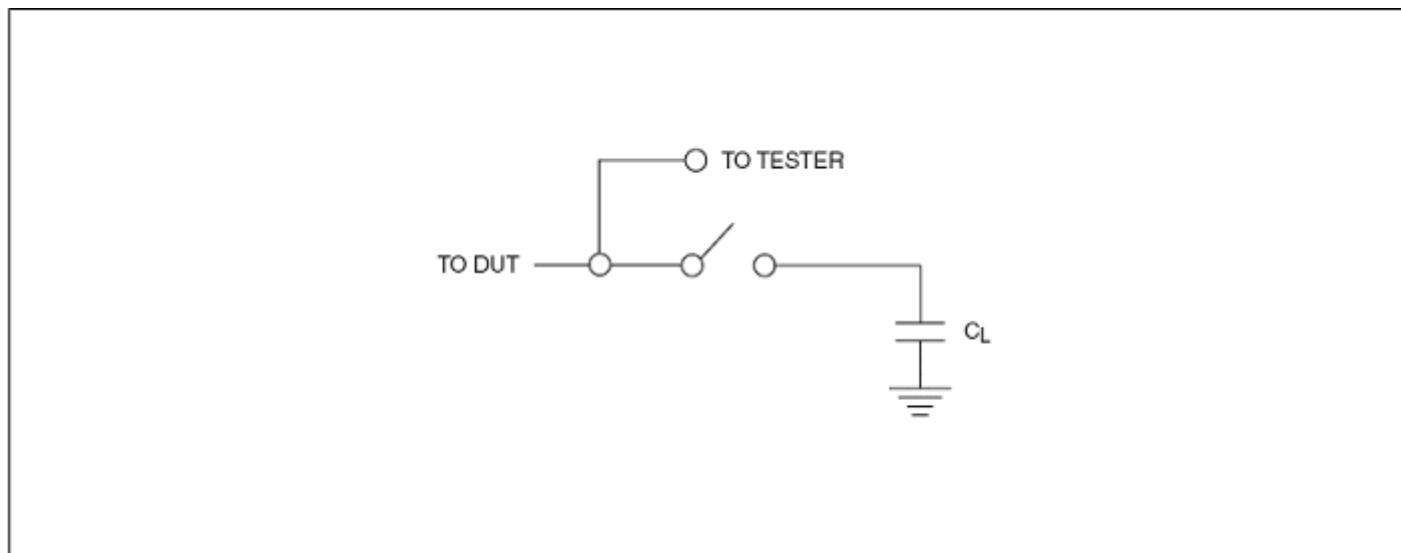
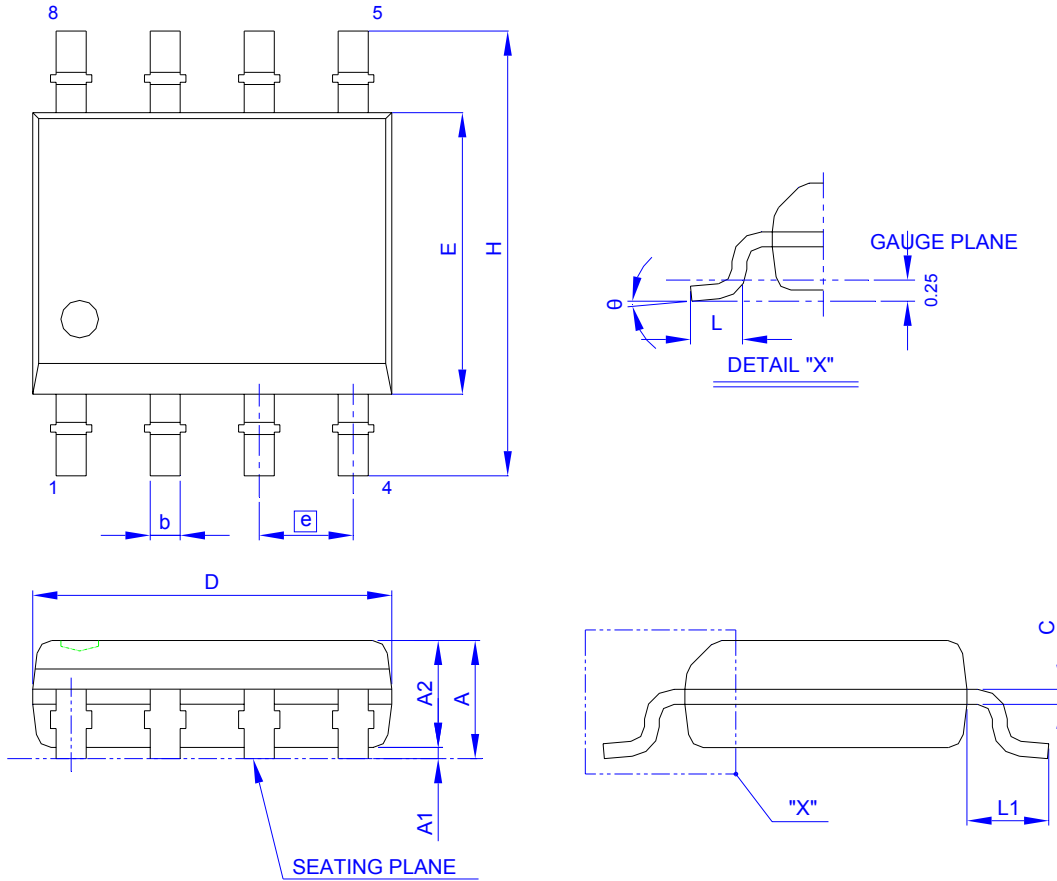


Figure 29: A Teat Load Example

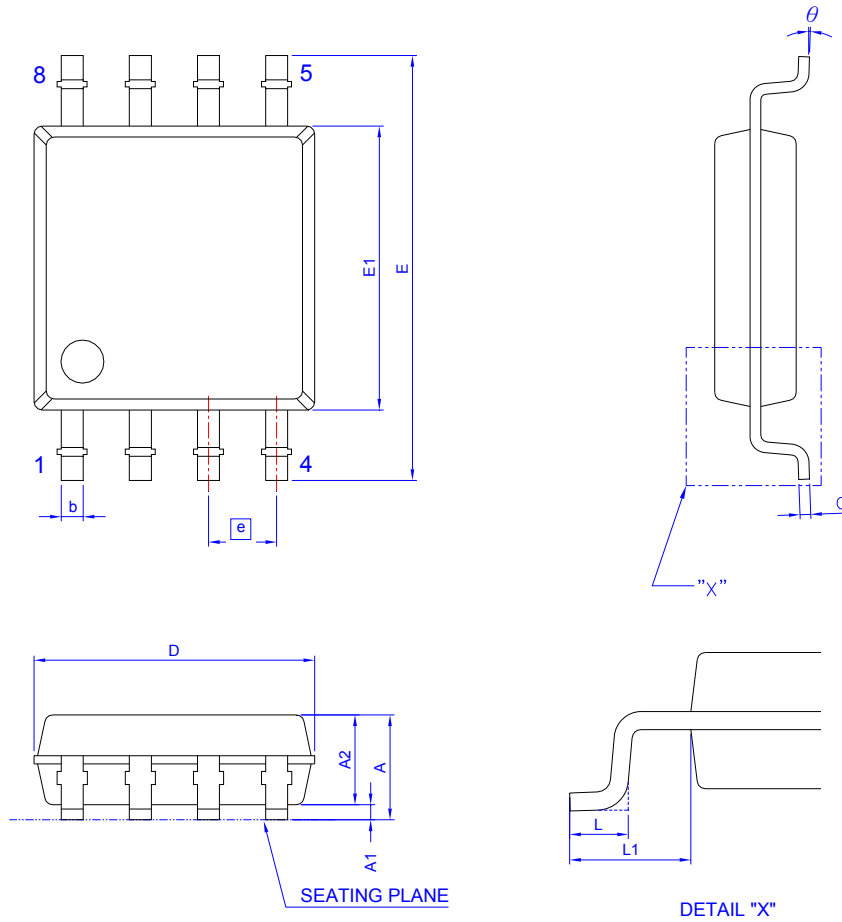
**PACKAGING DIMENSIONS**  
**8-LEAD SOIC ( 150 mil )**



Symbol	Dimension in mm			Dimension in inch			Symbol	Dimension in mm			Dimension in inch		
	Min	Norm	Max	Min	Norm	Max		Min	Norm	Max	Min	Norm	Max
A	1.35	1.60	1.75	0.053	0.063	0.069	D	4.80	4.90	5.00	0.189	0.193	0.197
A <sub>1</sub>	0.10	0.15	0.25	0.004	0.006	0.010	E	3.80	3.90	4.00	0.150	0.154	0.157
A <sub>2</sub>	1.25	1.45	1.55	0.049	0.057	0.061	L	0.40	0.66	0.86	0.016	0.026	0.034
b	0.33	0.406	0.51	0.013	0.016	0.020	$\overline{e}$	1.27 BSC			0.050 BSC		
c	0.19	0.203	0.25	0.0075	0.008	0.010	L <sub>1</sub>	1.00	1.05	1.10	0.039	0.041	0.043
H	5.80	6.00	6.20	0.228	0.236	0.244	$\theta$	0°	---	8°	0°	---	8°

Controlling dimension : millimeter

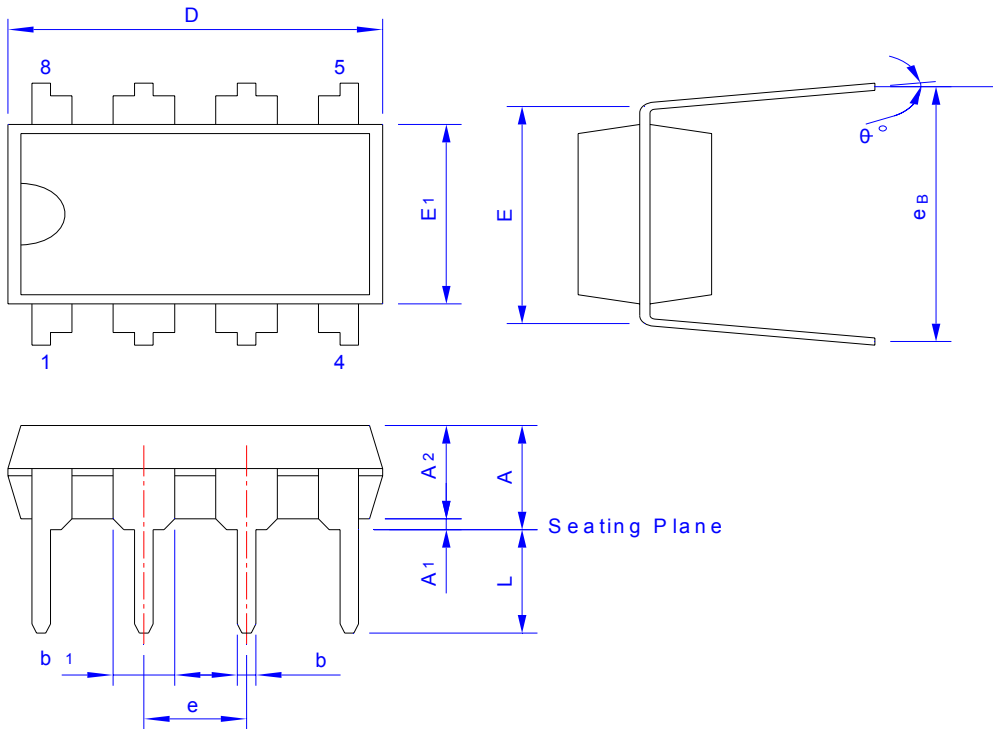
**PACKING DIMENSIONS**  
**8-LEAD SOIC 200 mil ( official name – 209 mil )**



Symbol	Dimension in mm			Dimension in inch			Symbol	Dimension in mm			Dimension in inch		
	Min	Norm	Max	Min	Norm	Max		Min	Norm	Max	Min	Norm	Max
A	---	---	2.16	---	---	0.085	E	7.70	7.90	8.10	0.303	0.311	0.319
A <sub>1</sub>	0.05	0.15	0.25	0.002	0.006	0.010	E <sub>1</sub>	5.18	5.28	5.38	0.204	0.208	0.212
A <sub>2</sub>	1.70	1.80	1.91	0.067	0.071	0.075	L	0.50	0.65	0.80	0.020	0.026	0.032
b	0.36	0.41	0.51	0.014	0.016	0.020	e	1.27 BSC			0.050 BSC		
c	0.19	0.20	0.25	0.007	0.008	0.010	L <sub>1</sub>	1.27	1.37	1.47	0.050	0.054	0.058
D	5.13	5.23	5.33	0.202	0.206	0.210	$\theta$	0°	---	8°	0°	---	8°

Controlling dimension : millimeter

**PACKING DIMENSIONS**  
**8-LEAD P-DIP ( 300 mil )**



Symbol	Dimension in mm			Dimension in inch		
	Min	Norm	Max	Min	Norm	Max
A			5.00			0.21
A <sub>1</sub>	0.38			0.015		
A <sub>2</sub>	3.18	3.30	3.43	0.125	0.130	0.135
D	9.02	9.27	10.16	0.355	0.365	0.400
E	7.62 BSC.			0.300 BSC.		
E <sub>1</sub>	6.22	6.35	6.48	0.245	0.250	0.255
L	9.02	9.27	10.16	0.115	0.130	0.150
e	2.54 TYP.			0.100 TYP.		
e <sub>B</sub>	8.51	9.02	9.53	0.335	0.355	0.375
b	0.46 TYP.			0.018 TYP.		
b <sub>1</sub>	1.52 TYP.			0.060 TYP.		
θ°	0°	7°	15°	0°	7°	15°

Controlling dimension : Inch.

## Revision History

Revision	Date	Description
1.0	2008.11.19	Original
1.1	2009.05.11	1.Modify headline 2.Delete the rating of Temperature Under Bias
1.2	2009.06.04	Add 8 lead SOIC (150mil) package
1.3	2009.07.20	Modify the description of OTP mode

### Important Notice

All rights reserved.

No part of this document may be reproduced or duplicated in any form or by any means without the prior permission of ESMT.

The contents contained in this document are believed to be accurate at the time of publication. ESMT assumes no responsibility for any error in this document, and reserves the right to change the products or specification in this document without notice.

The information contained herein is presented only as a guide or examples for the application of our products. No responsibility is assumed by ESMT for any infringement of patents, copyrights, or other intellectual property rights of third parties which may result from its use. No license, either express, implied or otherwise, is granted under any patents, copyrights or other intellectual property rights of ESMT or others.

Any semiconductor devices may have inherently a certain rate of failure. To minimize risks associated with customer's application, adequate design and operating safeguards against injury, damage, or loss from such failure, should be provided by the customer when making application designs.

ESMT's products are not authorized for use in critical applications such as, but not limited to, life support devices or system, where failure or abnormal operation may directly affect human lives or cause physical injury or property damage. If products described here are to be used for such kinds of application, purchaser must do its own quality assurance testing appropriate to such applications.