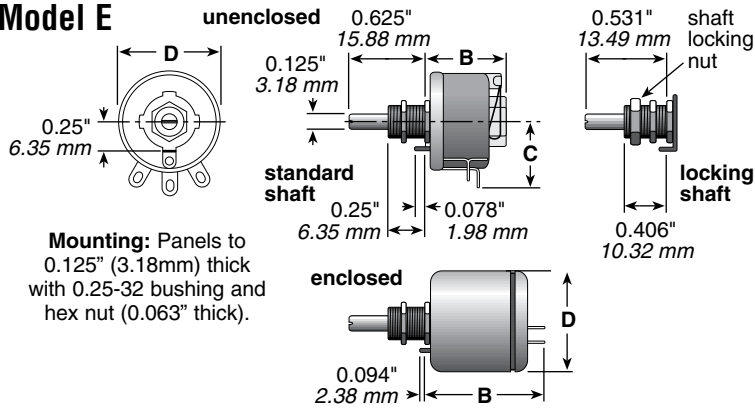
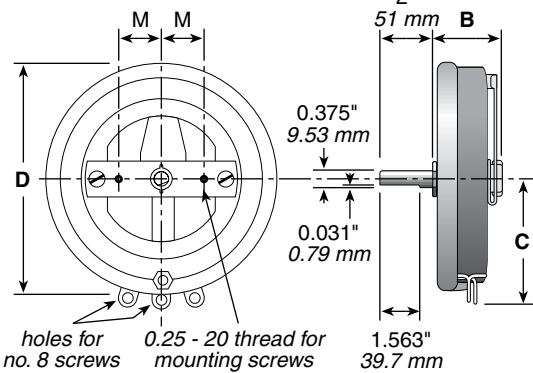


Model E



Mounting: Panels to 0.125" (3.18mm) thick with 0.25-32 bushing and hex nut (0.063" thick).

Models P, N, R, U



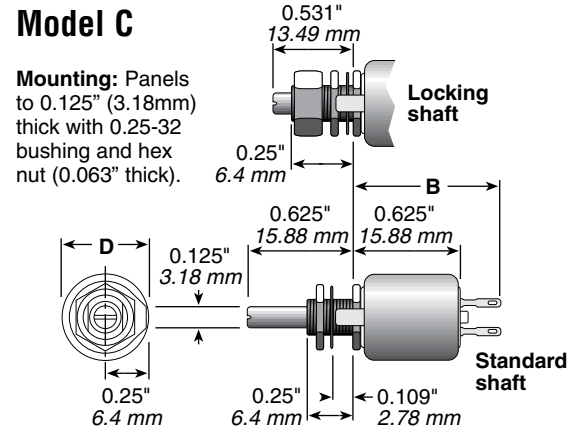
Dimension "M"

P	0.875"	22.23 mm
N	1.188"	30.16 mm
R	1.5"	38.1 mm
U	3"	76.2 mm

Mounting: Panels to 1.25" (31.75mm) thick with 0.25-20 flat-head screws.

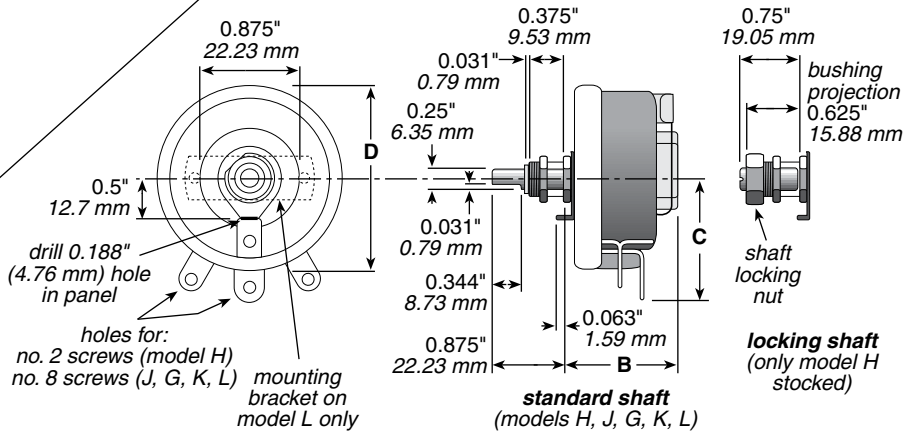
Rheostats (Potentiometers) Wirewound

Model C



Mounting: Panels to 0.125" (3.18mm) thick with 0.25-32 bushing and hex nut (0.063" thick).

Models H, J, G, K, L



Mounting: Panels to 0.25" (6.35mm) thick with 0.375-32 bushing and hex nut (0.094" thick) (or with 10-32 x 0.75 F.H. screws for model L only).

Dimensions for reference only; consult factory for details.

Since all rheostats/potentiometers are electro-mechanical devices, they are subject to mechanical wear and, therefore, have a finite life.

Models H, J, K, L and N are listed under UL Reexamination Service File No. E-10946 and CSA File No. 21309 unless noted otherwise.

See page 82 for knobs, dials, and other hardware

All rheostats are 10% tolerance.

ORDERING INFORMATION

E = RoHS compliant

Series: Rheostats, Wirewound, Potentiometers

RCSR50E

Code	Watts	Model	Shaft	Core	Resistance Value*
CL =	7.5	C	Locking	Enclosed	Example: R50 = 0.50Ω
CS =	7.5	C	Standard	Enclosed	1R0 = 1Ω
EE =	12.5	E	Standard	Enclosed	7R5 = 7.5Ω
EL =	12.5	E	Locking	Open	250 = 250Ω
ES =	12.5	E	Standard	Open	1K0 = 1,000Ω
GS =	75	G	Standard	Open	1K75 = 1,750Ω
HL =	25	H	Locking	Open	4K5 = 4,500Ω
HS =	25	H	Standard	Open	50K = 50,000Ω
JS =	50	J	Standard	Open	
KS =	100	K	Standard	Open	
LS =	150	L	Standard	Open	
NS =	300	N	Standard	Open	
PS =	225	P	Standard	Open	
RS =	500	R	Standard	Open	
US =	1000	U	Standard	Open	

*Check Table for Standard Resistance Values and Maximum Current Values

Model	Type	Watts	Ohmic range	Core	Max. Voltage (RMS)*	Behind panel "B" (In./mm)	Diameter "D" (In./mm)	Dimension "C" (In./mm)	Shaft torque	Rotation (±5°)
E	RES/REL	12.5	1.0-15K	open	305	0.688/17.46	0.875/ 22.23	0.594/15.08	1-6 oz. in.	300°
H	RHS/RHL	25	1.0-25K	open	500	1.375/34.93	1.560/ 39.62	0.940/23.88	0.25-0.5 lb. in.	300°
J	RJS	50	0.5-50K	open	750	1.375/34.93	2.31 / 58.67	1.56 /39.62	0.25-2 lb. in.	300°
G	RGS	75	0.5-50K	open	900	1.750/44.45	2.75 / 69.25	1.78 /45.21	0.5-2 lb. in.	300°
K	RKS	100	0.5-50K	open	1000	1.750/44.45	3.125/ 79.38	1.91 /48.51	0.5-2 lb. in.	300°
L	RLS	150	0.5-50K	open	1200	2.000 / 50.8	4.00 /101.60	2.28 /57.91	0.5-3 lb. in.	300°
P	RPS	225	1.0-30K	open	1300	2.125/53.98	5.00 /127.00	2.97 /75.44	2.5-4 lb. in.	310°
N	RNS	300	1.0-50K	open	1225	2.375/60.33	6.00 /152.40	3.44 /87.38	2.5-5 lb. in.	320°
R	RRS	500	1.0-20K	open	1450	2.125/53.98	8.00 /203.20	4.31/109.47	4.5-7 lb. in.	325°
U	RUS	1000	1.0-20K	open	1600	3.000 / 76.2	12.00 /304.80	6.38/162.05	3.5-7 lb. in.	335°
C	RCS/RCL	7.5	10.0-5K	enclosed	305	0.875/22.23	0.515/ 13.08	—	0.25-3 oz. in.	300°
E	REE	12.5	1.0-15K	enclosed	305	1.219/30.96	1.047/ 26.59	—	1-6 oz. in.	300°

- Models H, J, G, and K also available in enclosed versions.
- See Catalog #203 for complete details.
- RoHS compliant product available. Add "E" suffix to part number to specify.
- Made-to-order rheostats available: Contact nearest Ohmite sales office.
- * Voltage rating dependent on resistance value.

STANDARD PART NUMBERS FOR RHEOSTATS

Ohmic value	Part No. Prefix □ Suffix □	7.5W Model C			12.5W Model E			25W Model H			50W Model J	75W Model G	100W Model K	150W Model L	225W Model P	300W Model N	500W Model R	1000W Model U
		RCS Std. shaft	RCL Locking	Amps max.	RES Std. shaft	REL Locking	REE Enclosed	Amps max.	RHS Std. shaft	RHL Locking	Amps max.	RJS Amps max.	RGS Amps max.	RKS Amps max.	RLS Amps max.	RPS Amps max.	RNS Amps max.	RRS Amps max.
0.5	R50										✓ 10.0	✓ 12.3	✓ 14.1	✓ 17.3				
1	1R0				✓	✓	✓ 3.53	✓	✓	5.00	✓ 7.07	✓ 8.66	✓ 10	✓ 12.3	✓ 15.0	✓ 17.32	✓ 22.3	✓ 31.6
1.5	1R5				✓	✓	✓ 2.50	✓	✓	3.54	✓ 5.00	✓ 6.12	✓ 7.07	✓ 8.65	✓ 10.6	✓ 12.24	✓ 15.8	✓ 25.8
2	2R0				✓	✓	✓ 2.24	✓	✓	2.04	✓ 5.00	✓ 6.12	✓ 7.07	✓ 8.65	✓ 10.6	✓ 12.24	✓ 15.8	✓ 22.4
2.5	2R5				✓	✓	✓ 2.24	✓	✓	2.04	✓ 5.00	✓ 6.12	✓ 7.07	✓ 8.65	✓ 10.6	✓ 12.24	✓ 15.8	✓ 20.0
3	3R0				✓	✓	✓ 2.04	✓	✓	2.88	✓ 5.00	✓ 5.75	✓ 7.07	✓ 8.66	✓ 10.00	✓ 12.9	✓ 18.3	
4	4R0				✓	✓	✓ 1.58				✓ 3.53	✓ 3.88	✓ 4.47	✓ 5.48	✓ 6.71	✓ 7.75	✓ 11.2	✓ 15.8
5	5R0				✓	✓	✓ 1.44	✓	✓	2.04	✓ 2.88	✓ 3.16	✓ 3.65	✓ 4.47	✓ 5.49	✓ 6.32	✓ 10.0	✓ 14.1
6	6R0				✓	✓	✓ 1.44	✓	✓	2.04	✓ 2.88	✓ 3.16	✓ 3.65	✓ 4.47	✓ 5.49	✓ 6.32	✓ 10.0	✓ 14.1
7.5	7R5				✓	✓	✓ 1.25	✓	✓	1.77	✓ 2.50	✓ 2.74	✓ 3.16	✓ 3.88	✓ 4.74	✓ 5.48	✓ 7.90	✓ 11.2
8	8R0				✓	✓	✓ 1.12	✓	✓	1.58	✓ 2.50	✓ 2.74	✓ 3.16	✓ 3.88	✓ 4.74	✓ 5.48	✓ 7.90	✓ 10.0
10	10R	✓	✓	0.86	✓	✓	✓ 1.12	✓	✓	1.58	✓ 2.50	✓ 2.74	✓ 3.16	✓ 3.88	✓ 4.74	✓ 5.48	✓ 7.90	✓ 10.0
12	12R				✓	✓	✓ 0.91	✓	✓	1.29	✓ 2.04	✓ 2.17	✓ 2.50	✓ 3.163	✓ 3.87	✓ 4.47	✓ 6.30	✓ 8.95
12.5	12R5				✓	✓	✓ 0.91	✓	✓	1.29	✓ 2.04	✓ 2.17	✓ 2.50	✓ 3.163	✓ 3.87	✓ 4.47	✓ 6.30	✓ 8.95
15	15R	✓	✓	0.71	✓	✓	✓ 0.91	✓	✓	1.29	✓ 2.04	✓ 2.17	✓ 2.50	✓ 3.163	✓ 3.87	✓ 4.47	✓ 6.30	✓ 8.95
16	16R				✓	✓	✓ 0.71	✓	✓	1.00	✓ 1.76	✓ 1.73	✓ 2.0	✓ 2.450	✓ 3.00	✓ 3.46	✓ 5.60	✓ 7.90
22	22R				✓	✓	✓ 0.60	✓	✓	0.845	✓ 1.50	✓ 1.73	✓ 2.0	✓ 2.450	✓ 3.00	✓ 3.46	✓ 5.60	✓ 7.90
25	25R	✓	✓	0.55	✓	✓	✓ 0.71	✓	✓	1.00	✓ 1.76	✓ 1.73	✓ 2.0	✓ 2.450	✓ 3.00	✓ 3.46	✓ 5.60	✓ 7.90
35	35R	✓	✓	0.46	✓	✓	✓ 0.60	✓	✓	0.845	✓ 1.19	✓ 1.73	✓ 2.0	✓ 2.450	✓ 3.00	✓ 3.46	✓ 5.60	✓ 7.90
40	40R				✓	✓	✓ 0.60	✓	✓	0.845	✓ 1.19	✓ 1.73	✓ 2.0	✓ 2.450	✓ 3.00	✓ 3.46	✓ 5.60	✓ 7.90
50	50R	✓	✓	0.39	✓	✓	✓ 0.50	✓	✓	0.707	✓ 1.00	✓ 1.23	✓ 1.41	✓ 1.735	✓ 2.12	✓ 2.45	✓ 3.16	✓ 4.47
75	75R	✓	✓	0.32	✓	✓	✓ 0.40	✓	✓	0.575	✓ 1.00	✓ 1.00	✓ 1.15	✓ 1.415	✓ 1.73	✓ 2.00	✓ 3.16	✓ 4.47
80	80R				✓	✓	✓ 0.40	✓	✓	0.575	✓ 0.790	✓ 1.00	✓ 1.15	✓ 1.415	✓ 1.73	✓ 2.00	✓ 3.16	✓ 4.47
100	100R	✓	✓	0.27	✓	✓	✓ 0.36	✓	✓	0.500	✓ 0.790	✓ 0.866	✓ 1.00	✓ 1.225	✓ 1.50	✓ 1.73	✓ 2.52	✓ 3.65
125	125R	✓	✓	0.27	✓	✓	✓ 0.32	✓	✓	0.445	✓ 0.630	✓ 0.866	✓ 1.00	✓ 1.225	✓ 1.50	✓ 1.73	✓ 2.52	✓ 3.65
150	150R	✓	✓	0.22	✓	✓	✓ 0.29				✓ 0.575	✓ 0.866	✓ 1.00	✓ 1.225	✓ 1.50	✓ 1.73	✓ 2.52	✓ 3.65
160	160R				✓	✓	✓ 0.27	✓	✓	0.375	✓ 0.575	✓ 0.866	✓ 1.00	✓ 1.225	✓ 1.50	✓ 1.73	✓ 2.52	✓ 3.65
175	175R				✓	✓	✓ 0.27	✓	✓	0.375	✓ 0.575	✓ 0.866	✓ 1.00	✓ 1.225	✓ 1.50	✓ 1.73	✓ 2.52	✓ 3.65
200	200R	✓	✓	0.19	✓	✓	✓ 0.25				✓ 0.470	✓ 0.612	✓ 0.707	✓ 0.865	✓ 1.06	✓ 1.22	✓ 1.69	✓ 2.39
225	225R				✓	✓	✓ 0.25				✓ 0.470	✓ 0.612	✓ 0.707	✓ 0.865	✓ 1.06	✓ 1.22	✓ 1.69	✓ 2.39
250	250R	✓	✓	0.17	✓	✓	✓ 0.22	✓	✓	0.316	✓ 0.470	✓ 0.612	✓ 0.707	✓ 0.865	✓ 1.06	✓ 1.22	✓ 1.69	✓ 2.39
300	300R	✓	✓	0.17	✓	✓	✓ 0.22	✓	✓	0.316	✓ 0.408	✓ 0.500	✓ 0.575	✓ 0.775	✓ 0.866	✓ 1.00	✓ 1.41	✓ 1.83
325	325R				✓	✓	✓ 0.19	✓	✓	0.267	✓ 0.408	✓ 0.500	✓ 0.575	✓ 0.775	✓ 0.866	✓ 1.00	✓ 1.41	✓ 1.83
350	350R	✓	✓	0.15	✓	✓	✓ 0.19	✓	✓	0.267	✓ 0.408	✓ 0.500	✓ 0.575	✓ 0.775	✓ 0.866	✓ 1.00	✓ 1.41	✓ 1.83
400	400R				✓	✓	✓ 0.19	✓	✓	0.267	✓ 0.408	✓ 0.500	✓ 0.575	✓ 0.775	✓ 0.866	✓ 1.00	✓ 1.41	✓ 1.83
500	500R	✓	✓	0.12	✓	✓	✓ 0.16	✓	✓	0.222	✓ 0.316	✓ 0.433	✓ 0.500	✓ 0.775	✓ 0.866	✓ 1.00	✓ 1.41	✓ 1.83
600	600R				✓	✓	✓ 0.16	✓	✓	0.222	✓ 0.316	✓ 0.433	✓ 0.500	✓ 0.775	✓ 0.866	✓ 1.00	✓ 1.41	✓ 1.83
700	700R				✓	✓	✓ 0.13	✓	✓	0.182	✓ 0.316	✓ 0.433	✓ 0.500	✓ 0.775	✓ 0.866	✓ 1.00	✓ 1.41	✓ 1.83
750	750R	✓	✓	0.10	✓	✓	✓ 0.13	✓	✓	0.182	✓ 0.316	✓ 0.433	✓ 0.500	✓ 0.775	✓ 0.866	✓ 1.00	✓ 1.41	✓ 1.83
800	800R				✓	✓	✓ 0.13	✓	✓	0.182	✓ 0.316	✓ 0.433	✓ 0.500	✓ 0.775	✓ 0.866	✓ 1.00	✓ 1.41	✓ 1.83
900	900R				✓	✓	✓ 0.13	✓	✓	0.182	✓ 0.316	✓ 0.433	✓ 0.500	✓ 0.775	✓ 0.866	✓ 1.00	✓ 1.41	✓ 1.83
1000	1K0	✓	✓	0.086	✓	✓	✓ 0.10	✓	✓	0.155	✓ 0.224	✓ 0.274	✓ 0.316	✓ 0.500	✓ 0.578	✓ 0.707	✓ 1.00	✓ 1.41
1200	1K2				✓	✓	✓ 0.10	✓	✓	0.155	✓ 0.224	✓ 0.274	✓ 0.316	✓ 0.500	✓ 0.578	✓ 0.707	✓ 1.00	✓ 1.41
1250	1K25				✓	✓	✓ 0.10	✓	✓	0.155	✓ 0.224	✓ 0.274	✓ 0.316	✓ 0.500	✓ 0.578	✓ 0.707	✓ 1.00	✓ 1.41
1500	1K5	✓	✓	0.071	✓	✓	✓ 0.090	✓	✓	0.129	✓ 0.224	✓ 0.274	✓ 0.316	✓ 0.500	✓ 0.578	✓ 0.707	✓ 1.00	✓ 1.41
1600	1K6				✓	✓	✓ 0.090	✓	✓	0.129	✓ 0.224	✓ 0.274	✓ 0.316	✓ 0.500	✓ 0.578	✓ 0.707	✓ 1.00	✓ 1.41
1750	1K75				✓	✓	✓ 0.090	✓	✓	0.129	✓ 0.224	✓ 0.274	✓ 0.316	✓ 0.500	✓ 0.578	✓ 0.707	✓ 1.00	✓ 1.41
1800	1K8				✓	✓	✓ 0.090	✓	✓	0.129	✓ 0.224	✓ 0.274	✓ 0.316	✓ 0.500	✓ 0.578	✓ 0.707	✓ 1.00	✓ 1.41
2000	2K0				✓	✓	✓ 0.090	✓	✓	0.129	✓ 0.224	✓ 0.274	✓ 0.316	✓ 0.500	✓ 0.578	✓ 0.707	✓ 1.00	✓ 1.41
2250	2K25				✓	✓	✓ 0.090	✓	✓	0.129	✓ 0.224	✓ 0.274	✓ 0.316	✓ 0.500	✓ 0.578	✓ 0.707	✓ 1.00	✓ 1.41
2500	2K5	✓	✓	0.055	✓	✓	✓ 0.070	✓	✓	0.100	✓ 0.176	✓ 0.173	✓ 0.200	✓ 0.300	✓ 0.346	✓ 0.447	✓ 0.633	✓ 0.633
3000	3K0				✓	✓	✓ 0.070	✓	✓	0.100	✓ 0.176	✓ 0.173	✓ 0.200	✓ 0.300	✓ 0.346	✓ 0.447	✓ 0.633	✓ 0.633
3500	3K5	✓	✓	0.046	✓	✓	✓ 0.060	✓	✓	0.084	✓ 0.141	✓ 0.173	✓ 0.200	✓ 0.300	✓ 0.346	✓ 0.447	✓ 0.633	✓ 0.633
4500	4K5				✓	✓	✓ 0.060	✓	✓	0.084	✓ 0.141	✓ 0.173	✓ 0.200	✓ 0.300	✓ 0.346	✓ 0.447	✓ 0.633	✓ 0.633
5000	5K0	✓	✓	0.039	✓	✓	✓ 0.050	✓	✓	0.070	✓ 0.141	✓ 0.173	✓ 0.200	✓ 0.300	✓ 0.346	✓ 0.447	✓ 0.633	✓ 0.633
7500	7K5				✓	✓	✓ 0.041	✓	✓	0.058	✓ 0.100	✓ 0.123	✓ 0.141	✓ 0.173	✓ 0.200	✓ 0.300	✓ 0.346	✓ 0.633
8000	8K0				✓	✓	✓ 0.041	✓	✓	0.058	✓ 0.100	✓ 0.123	✓ 0.141	✓ 0.173	✓ 0.200	✓ 0.300	✓ 0.346	✓ 0.633
10000	10K				✓	✓	✓ 0.035	✓	✓	0.050	✓ 0.079	✓ 0.100	✓ 0.115	✓ 0.141	✓ 0.173	✓ 0.200	✓ 0.300	✓ 0.633
12500	12K5				✓	✓	✓ 0.031	✓	✓	0.041	✓ 0.079	✓ 0.100	✓ 0.115	✓ 0.141	✓ 0.173	✓ 0.200	✓ 0.300	✓ 0.633
15000	15K				✓	✓	✓ 0.029	✓	✓	0.041	✓ 0.079	✓ 0.100	✓ 0.115	✓ 0.141	✓ 0.173	✓ 0.200	✓ 0.300	✓ 0.633
20000	20K				✓	✓	✓ 0.035	✓	✓	0.050	✓ 0.050	✓ 0.079	✓ 0.100	✓ 0.115	✓ 0.141	✓ 0.173	✓ 0.200	✓ 0.633
25000	25K				✓	✓	✓ 0.035	✓	✓	0.050	✓ 0.050	✓ 0.079	✓ 0.100	✓ 0.115	✓ 0.141	✓ 0.173	✓ 0.200	✓ 0.633
30000	30K				✓	✓	✓ 0.035	✓	✓	0.050	✓ 0.050	✓ 0.079	✓ 0.100	✓ 0.115	✓ 0.141	✓ 0.173	✓ 0.200	✓ 0.633
40000	40K				✓	✓	✓ 0.035	✓	✓	0.050	✓ 0.050	✓ 0.079	✓ 0.100	✓ 0.115	✓ 0.141	✓ 0.173	✓ 0.200	✓ 0.633
50000	50K				✓	✓	✓ 0.035	✓	✓	0.050	✓ 0.050	✓ 0.079	✓ 0.100	✓ 0.115	✓ 0.141	✓ 0.173	✓ 0.200	✓ 0.633

✓ = Standard values; check availability
 Rheostats are silicone-ceramic coated at and above the following ohmic values:
 Model C: all
 Model E: 3500
 Model H: 7500
 Model J: 15,000
 Model G: 5000
 Model K: 7500
 Model L: 7500

Check product availability at
www.ohmite.com