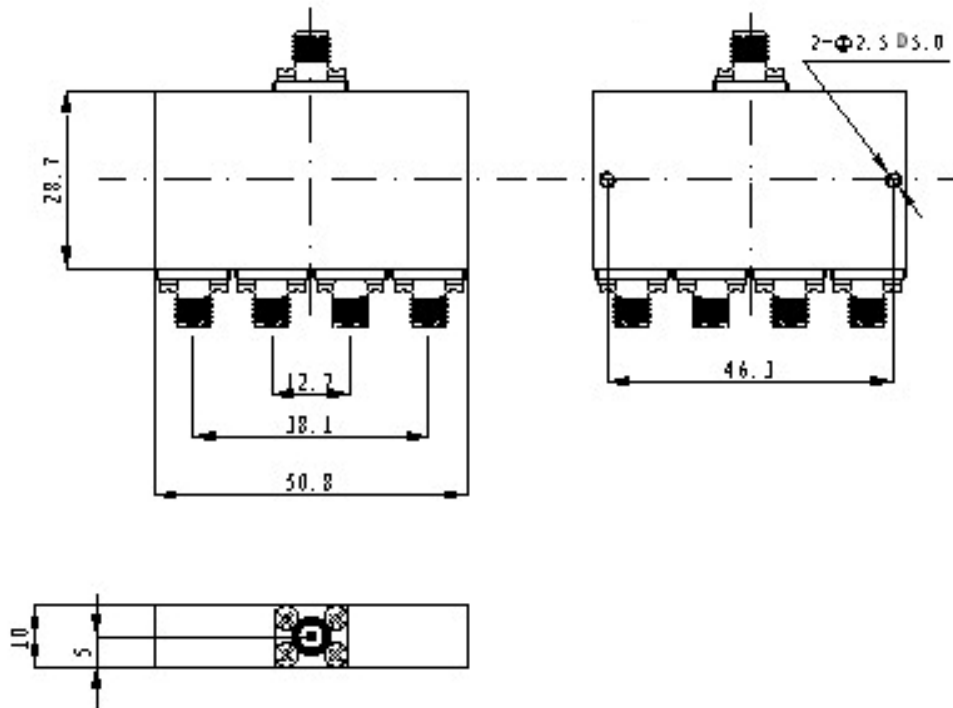


4-Way Power Divider

P/N: JXWBGF-T-4-9.0-9.6

Frequency Range(GHz)	9.0 ~9.6
Insertion Loss(dB)	0.6 max
Isolation(dB)	20 min
VSWR	1.40:1 max
Input Power(W)	0.2
Connector	SMA-Female
Operating Temperature(°C)	-35 ~ +85
Net Weight(Kg)	0.05 Around

Outline Drawing (Size: mm)



For current data sheets, please contact: sales@aacix.com