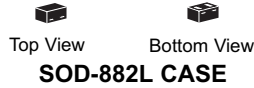




**CFSH-4**  
**SURFACE MOUNT**  
**SILICON SCHOTTKY DIODE**



**MARKING CODE: L**

**APPLICATIONS:**

- DC / DC Converters
- Voltage Clamping
- Protection Circuits
- Battery powered applications including Cell Phones, Digital Cameras, Pagers, PDAs, Laptop Computers, etc.

**MAXIMUM RATINGS:** ( $T_A=25^\circ\text{C}$ )

	SYMBOL		UNITS
Peak Repetitive Reverse Voltage	$V_{RRM}$	40	V
Average Forward Current	$I_O$	200	mA
Forward Surge Current, $t_p=8.3\text{ms}$	$I_{FSM}$	600	mA
Power Dissipation	$P_D$	100	mW
Operating and Storage			
Junction Temperature	$T_J, T_{stg}$	-65 to +125	$^\circ\text{C}$
Thermal Resistance	$\Theta_{JA}$	1000	$^\circ\text{C/W}$

**ELECTRICAL CHARACTERISTICS:** ( $T_A=25^\circ\text{C}$  unless otherwise noted)

SYMBOL	TEST CONDITIONS	MIN	TYP	MAX	UNITS
$I_R$	$V_R=30\text{V}$		25	200	nA
$BV_R$	$I_R=10\mu\text{A}$	40			V
$V_F$	$I_F=1.0\text{mA}$		0.35	0.38	V
$V_F$	$I_F=15\text{mA}$		0.55	0.65	V
$V_F$	$I_F=40\text{mA}$		0.77	1.00	V
$C_T$	$V_R=0\text{V}, f=1.0\text{MHz}$			5.0	pF
$t_{rr}$	$I_F=I_R=10\text{mA}, I_{rr}=1.0\text{mA}, R_L=100\Omega$			5.0	ns

# Central<sup>TM</sup>

## Semiconductor Corp.

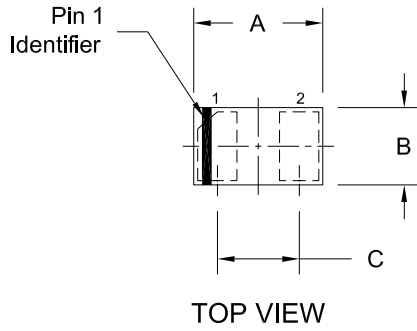
**DESCRIPTION:**

The Central Semiconductor Corp. CFSH-4 is a high quality Schottky Diode designed for applications where ultra small size and power dissipation are prime requirements. Packaged in a Tiny Leadless Package,<sup>TM</sup> TLP<sup>TM</sup>, this component provides performance characteristics suitable for the most demanding size constrained applications.

**FEATURES:**

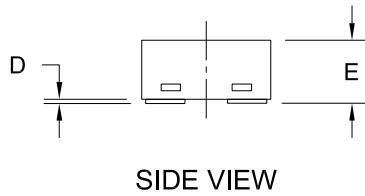
- Device is **Halogen Free** by design
- Current ( $I_O=200\text{mA}$ )
- Low Forward Voltage Drop ( $V_F=0.35\text{V TYP @ } 1.0\text{mA}$ )
- Low Reverse Current ( $25\text{nA TYP @ } 30\text{V}$ )
- Extremely Fast Switching ( $5\text{ns Max}$ )
- Small TLP<sup>TM</sup>,  $1\text{mm} \times 0.6\text{mm} \times 0.4\text{mm}$ , SOD-882L, ultra low profile, Leadless Surface Mount package.

**SOD-882L CASE - MECHANICAL OUTLINE**



SYMBOL	INCHES		MILLIMETERS	
	MIN	MAX	MIN	MAX
A	0.037	0.041	0.95	1.05
B	0.022	0.026	0.55	0.65
C	0.026		0.65	
D	0.000	0.002	0.00	0.05
E	0.012	0.016	0.30	0.40
F	0.018	0.022	0.45	0.55
G	0.008	0.012	0.20	0.30

SOD-882L (REV:R0)



**LEAD CODE:**

- 1) CATHODE
- 2) ANODE

**MARKING CODE: L**

