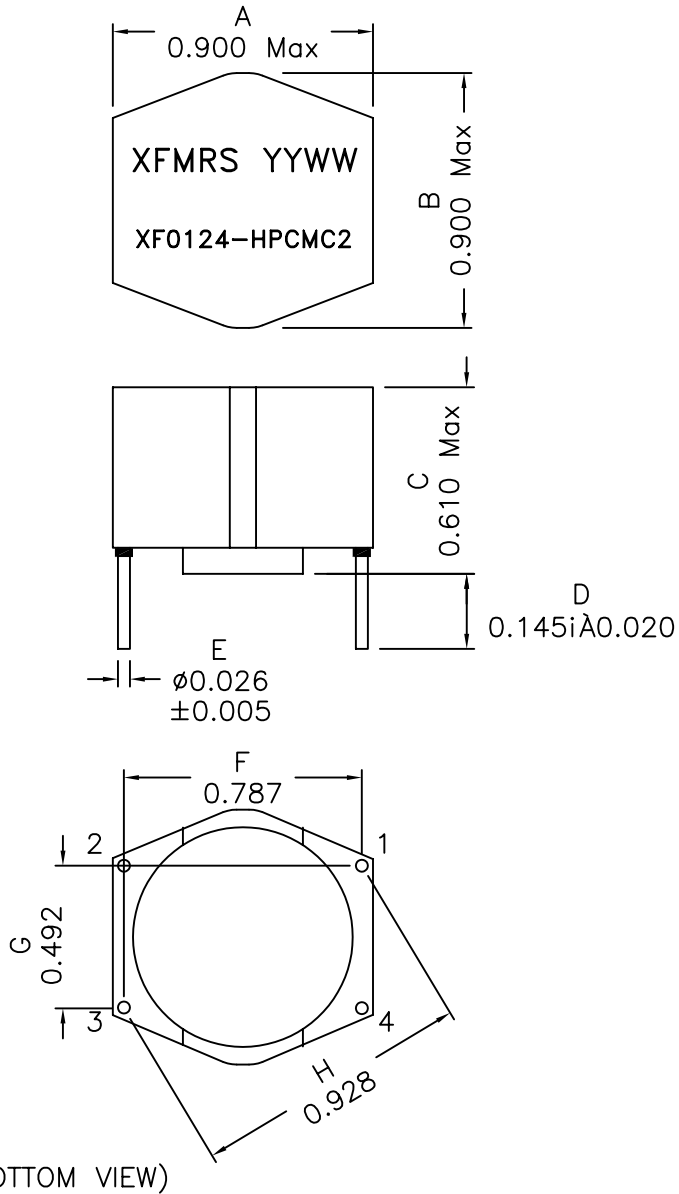
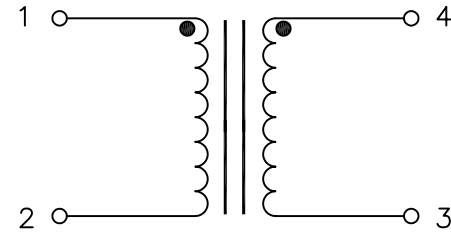


1. Mechanical Dimensions:



2. Schematic:



3. Electrical Specifications: @25°C

OCL: 1.2mH+/-30% @100KHz 0.1V Each Wdg.

DCR.: 0.056 Ohms Typ Each Wdg.

LL: 17uH Typ @100KHz, 0.1V

Rated Current: 3Amps

Isolation Voltage: 1500Vac, Wdg. to Wdg.

Notes:

1. Solderability: Leads shall meet MIL-STD-202, Method 208D for solderability.
2. Flammability: UL94V-0
3. ASTM oxygen index: > 28%
4. Insulation System: Class F 155°C. UL file E151556
5. Operating Temperature Range: All listed parameters are to be within tolerance from -40°C to +85°C
6. Storage Temperature Range: -55°C to +125°C
7. Aqueous wash compatible

XFMR5 Inc.	Title: Common Mode Choke		
	UNLESS OTHERWISE SPECIFIED TOLERANCES: .xxx ±0.020 Dimensions in INCH	P/N: XF0124-HPCMC2	REV. A
		DWN. 李小锋	Aug-13-02
		CHK. 廖玉坤	Aug-13-02
SHEET 1 OF 1	APP. BW	Aug-13-02	

DOC. REV A/5