

# U Interface Transformer (2B1Q Coding Applications)

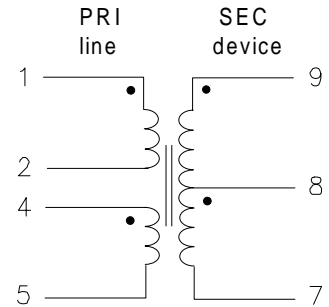
Designed for use with National TP 3410

Turns Ratio ( ± 3 % ) (Line : Chip)	1.50 : 1
-------------------------------------	----------

PARAMETER	MIN.	MAX.	UNITS
Primary Inductance (Line Side) Pins 1 to 5 with 2 & 4 shorted.	25.4	28.6	mH
Primary DC Resistance		20	ohms
Secondary DC Resistance		3.0	ohms
Isolation (Hi-Pot)	2000		V <sub>RMS</sub>
DC Bias		60	mA
Return Loss 10KHz & 25 KHz	20		dB
Longitudinal Balance (281 Hz to 40 KHz)	55		dB

**Flammability:** Materials used in the production of these units meet requirements of UL94-VO and IEC 695-2-2 needle flame test.

Schematic Diagram



**NOTE:**

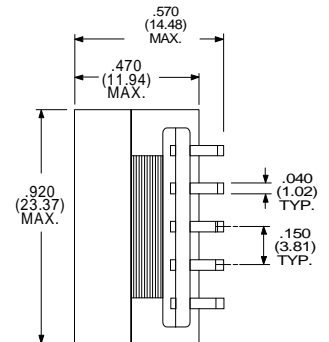
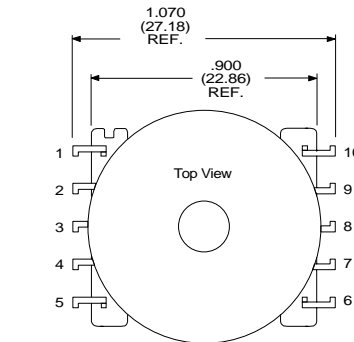
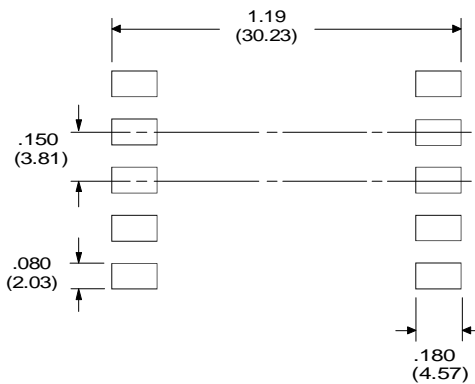
Operating Temp. Range -40°C to +85°C

Primary is Line Side (Pins 1,2,4,5)  
Secondary is Chip Side (Pins 7,8,9)

**Surge Voltage Capability**

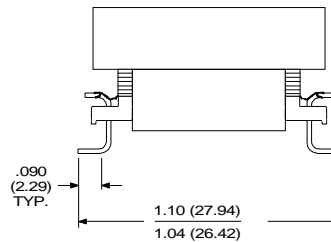
Metallic Voltage: 800 V peak, 10/560 μS

Longitudinal Voltage: 2400 V peak, 10/700 μS



Physical Dimensions inches (mm)

Notch Indicates Pin #1



RHOMBUS P/N: T-13212G	
CUST P/N:	NAME:
DATE: 7/2/96	SHEET: 1 of 1