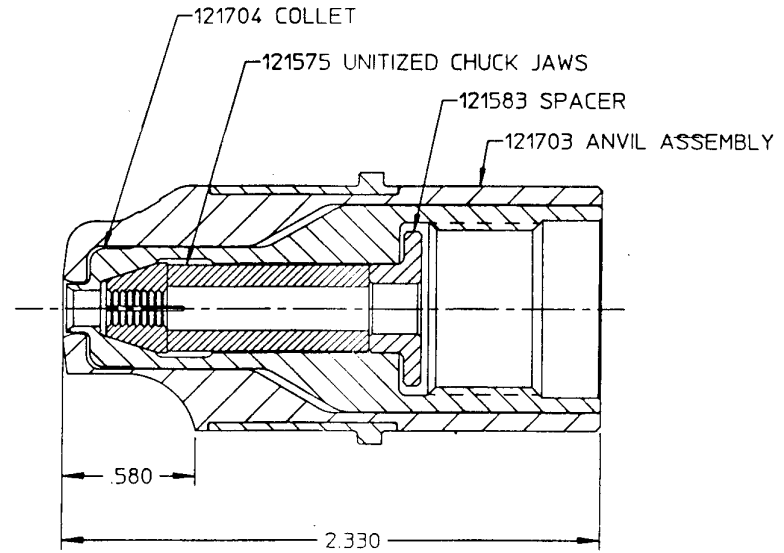
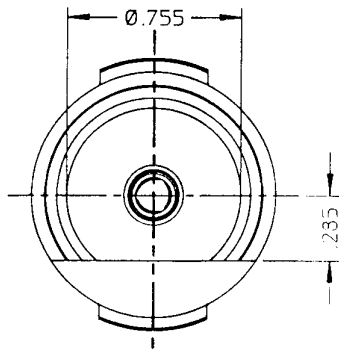


**Huck  
Fasteners**

From Cordant Technologies

# NOSE ASSEMBLY DATA SHEET

Yellow marking on anvil  
of LGP® fasteners.



©Huck International, Inc. 1995  
 ©Registered Trademark of Huck International, Inc., Irvine, CA  
 ™Trademark of Huck International, Inc., Irvine, CA

<b>99-2503</b>	<b>Huck International, Inc.</b> Installation System Division 1 Corporate Drive - Kingston, NY 12401	
	<b>TYPE:</b> Non Self-releasing, Short <b>FOR:</b> HUCKBOLT LGP -05 <b>TOOL:</b> 353**	
	<b>OTHER</b>	<b>ISSUED:</b> 11-91 <b>REVISED:</b> 12-91

**225BE	2500
226	2502
245	2503
246	4801
247	4802
	4803

NOTES:

⚠ ANVIL ASSEMBLY P/N 121703 CONSISTS OF:  
 ANVIL P/N 121702  
 RETAINER P/N 120737

## Nose Assembly Maintenance

1. Prepare tool per manual. Remove any loose shims from spindle/rod with small pick.

**WARNING: Before maintenance or adjustments, POWERIG Hydraulic Unit must be disconnected from electrical or air supply; air operated tools must be disconnected from air supply. If not disconnected, severe personal injury and/or damage may result.**

**Caution:** Damage to 353 tool will result if tool is cycled without a Nose Assembly or the Stop Nut on tool (Stop Nut, P/N 84213, is shipped with each 353).

**2. Tools that use hydraulic source:**  
Connect tool's hoses and controls to POWERIG Hydraulic Unit. Reconnect power source. Depress trigger for 30 seconds. Disconnect controls and **RETURN** hose - **tool piston must be completely forward.**

**Tools that use air source:**  
Air supply should have filter - regulator lubricator unit with regulator set at 90 psi (620 kPa). Disconnect air supply - see **WARNING** and **Caution** above - on 353 tool, install stop nut or nose assembly. Cycle tool a few times and disconnect from air supply with spindle/rod **completely forward.**

**Caution:** In severe conditions, VIBRA-TITE can be used on collet and/or extension threads to prevent loosening and damage. Carefully follow container's directions.

**3. Disassembly/assembly as applicable:**  
Remove parts of nose assembly for inspection and maintenance.

**Collet/extension :**  
Assemble parts as shown. If applicable, thread assembled collet onto extension - tighten wrench-tight. Thread assembled collet or collet/extension onto spindle/rod - tighten wrench-tight. See **Caution.**

**Anvil:**  
Assemble anvil retainer to anvil.

**4801:**  
Tool has holes in adapter - rod through adapter and spindle/rod prevents piston from turning.

**4. Tools with retaining nut and stop:**  
Slide anvil/holder over collet. Slide stop and retaining nut over holder/anvil - tighten hand-tight.

**353 Tool:**  
Slide holder/anvil over collet until ear depresses half-moon retainer. Turn holder/anvil until locked by retainer - remove shim if ears do not enter groove. On rotatable nose assemblies, hold key, 110237, in anvil slot - as anvil is turned, retainer ears will enter groove.

**5.As applicable:**  
See **WARNING** - connect controls and **RETURN** hose on hydraulic tool. Reconnect hydraulic unit or air tool/unit to power source. Install fasteners in test plate of correct thickness with proper size holes - inspect installed fasteners.

### Notes

1. To extend jaw life, disassemble, clean and inspect components periodically. Use a pick to clean jaw grooves. Wash components in mineral spirit or isopropyl alcohol only. Do not let urethane jaw assemblies soak, and do not use solvents that will cause urethane to swell. Dry components immediately after cleaning.

2. Replacement parts: Jaws; anvil retainers.

3. Maintenance tools - as required: Brushes - Nylon bristle - 105805 (04, 05 & 06), 105806 (08) adjustable wrench, 503044; VIBRA-TITE, 505125.

353/225BE/245/246/247/2500/4801  
W/O lock collars; W/ears  
99-2500 In-line series