



Features & Benefits

- Connector design: NTT-SC* standard
- One-piece body design:
 - Minimizes termination time
 - Field installable
- Precision APC ferrule provides superior performance:
 - Insertion loss < .25 dB typical
 - Return loss > 60 dB typical
- Standard SC adapters:
 - NTT-SC standard
 - Zirconia ceramic and phosphor bronze sleeves
- Shuttered adapters:
 - Shield against exposure to laser radiation
 - Dust cover for unused fiber channels

Applications

- Telecommunication networks
- CATV networks

The Molex SC/APC connector combines a Telcordia and IEC tested connector design with a uniquely precise, pre-angled, pre-radiused, and pre-polished Angled Physical Contact (APC) ferrule. The result is an APC connector with superior insertion and return loss performance.

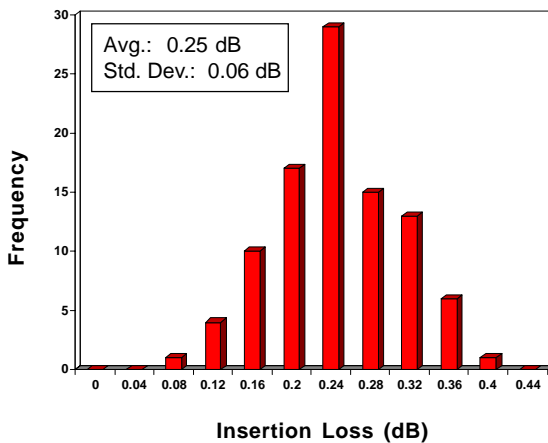
Ferrule endface geometry is especially critical in angled fiber optic connectors. For this reason, Molex has developed a unique polishing process which in addition to putting an 8 degree angle on the ferrules, also provides a 10mm radius. With this endface geometry, physical contact of the fibers is maintained, ensuring a minimum insertion loss and a maximum return loss. Combining this pre-polished ferrule with the preassembled 1-piece body design has produced a superior performance APC connector that is easy to terminate both in the factory and in the field.

A shield against exposure to laser radiation and a barrier to dust contamination are 2 features of a series of shuttered SC adapters. These adapters are equipped with a spring loaded shutter which automatically closes when a connector is removed from the adapter. Both the shuttered and the standard SC adapter styles are available with either zirconia ceramic or phosphor bronze alignment sleeves.

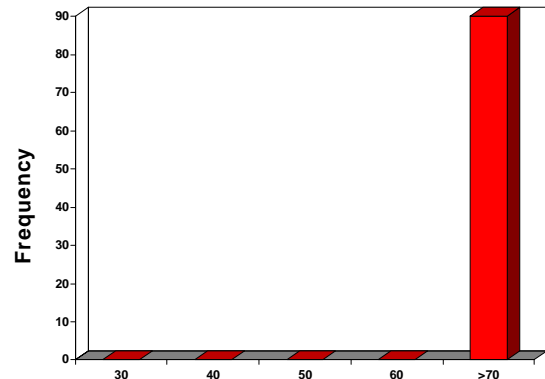
*NTT-SC is a trademark of NTT Advanced Technology Corporation

Optical Performance Distribution

Insertion Loss Performance
(SM, APC ferrule, 9/125µm fiber)

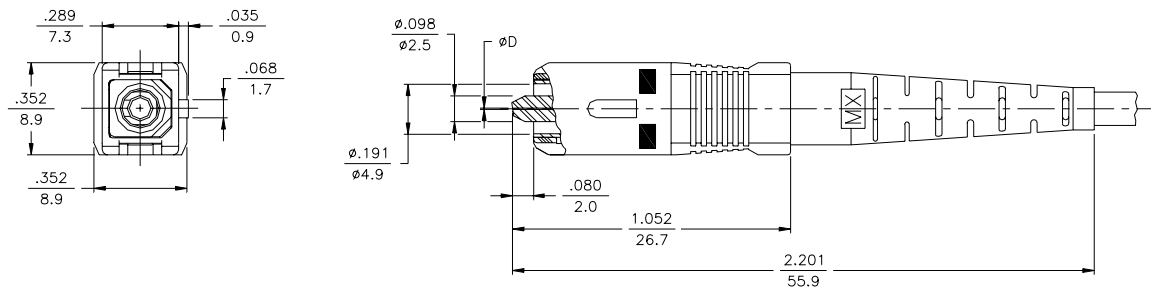


Return Loss Performance
(9/125µm fiber measured at 1550nm)

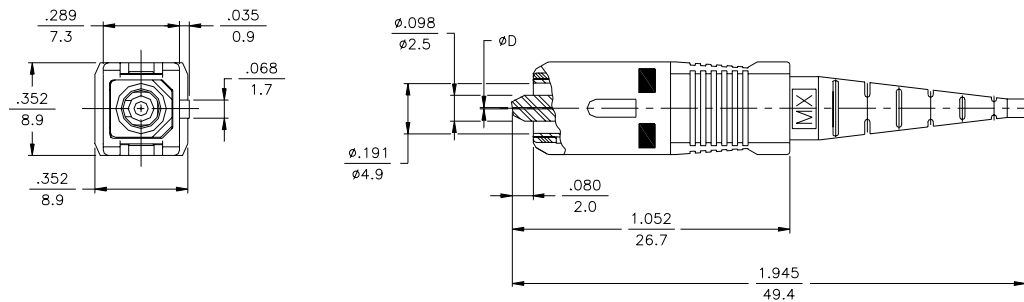


Mechanical Dimensions

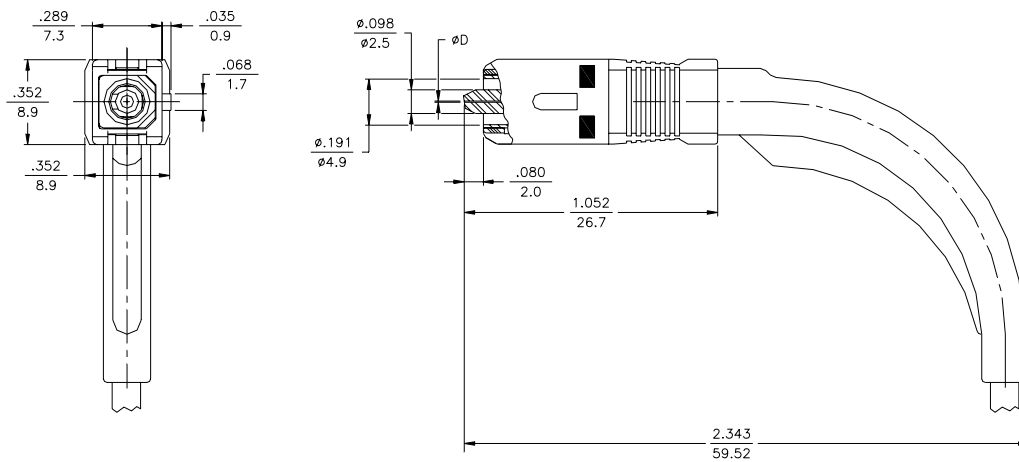
SC/APC Tunable Connector, 3mm Boot Style



SC/APC Tunable Connector, 900 μ m Boot Style

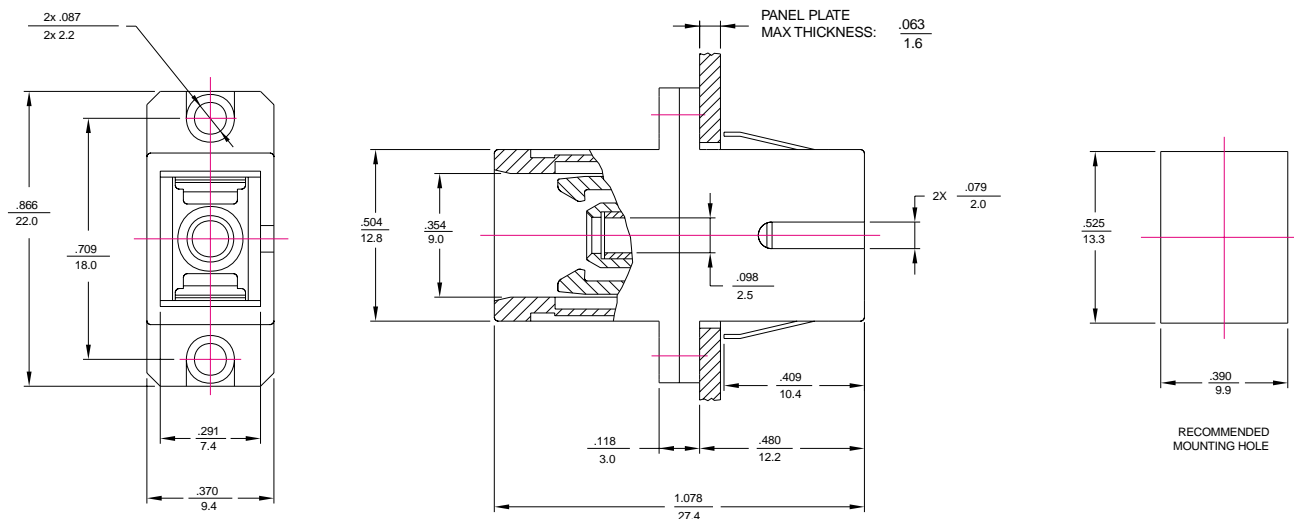


SC/APC Tunable Connector, 90° Boot Style

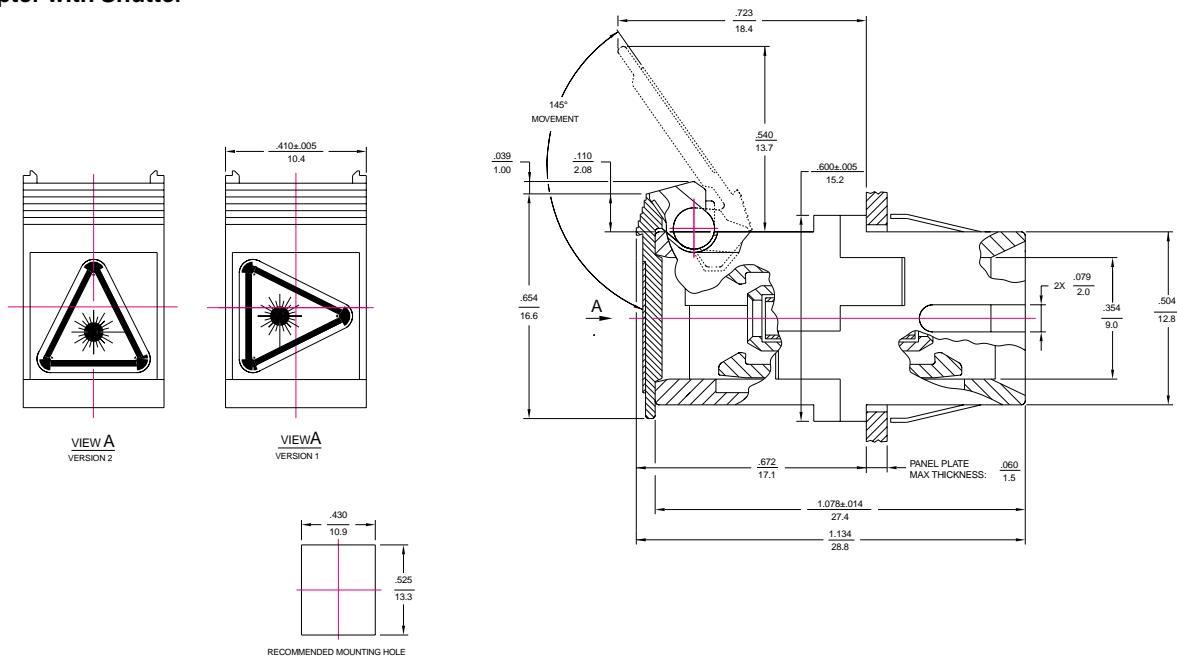


Mechanical Dimensions

SC Adapter



SC Adapter with Shutter



Standard Part Numbers

Order Number	Description	Hole size	Cable size
86065-5000	SC connector, APC, zirconia ferrule	126µm	3.0mm
86065-5300	SC connector, APC, zirconia ferrule	126µm	2.4mm
86065-5500	SC connector, APC, zirconia ferrule, buffered fiber	126µm	900µm buffered fiber
86065-5400	SC connector, APC, zirconia ferrule, 90° boot	126µm	3.0mm
86065-5600	SC connector, APC, zirconia ferrule, 90° boot	126µm	2.4mm
86161-0000	SC adapter, zirconia alignment sleeve, blue housing		
86160-0000	SC adapter, phosphor bronze alignment sleeve, blue housing		
86161-3000	SC adapter, zirconia alignment sleeve, green housing		
86160-3000	SC adapter, phosphor bronze alignment sleeve, green housing		
86170-0550	SC adapter, zirconia alignment sleeve, blue housing, shutter		
86170-0520	SC adapter, zirconia alignment sleeve, green housing, shutter		
86171-0550	SC adapter, phosphor bronze alignment sleeve, blue housing, shutter		
86171-0520	SC adapter, phosphor bronze alignment sleeve, green housing, shutter		