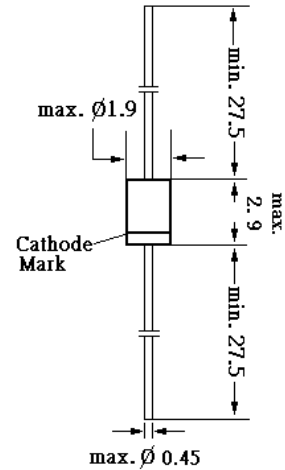


# 1N-SS254

## HIGH-SPEED SWITCHING DIODE

### Features

- Ultra-high speed.
- High withstand voltage.
- Low leakage and high voltage.



Glass case JEDEC DO-34

Dimensions in mm

Weight approx. 0.092g

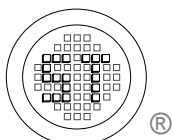
### Absolute Maximum Ratings ( $T_a = 25^\circ\text{C}$ )

	Symbol	Value	Unit
Peak reverse voltage	$V_{RM}$	40	V
Reverse voltage	$V_R$	35	V
Average rectified current	$I_o$	110	mA
Peak forward current	$I_{FM}$	300	mA
Non-Repetitive peak forward surge current	$I_{FSM}^*$	400	mA
Junction temperature	$T_j$	175	$^\circ\text{C}$
Storage temperature range	$T_s$	-65 to +175	$^\circ\text{C}$

Note: Within 1s forward surge current.

### Characteristics at $T_a = 25^\circ\text{C}$

	Symbol	Min.	Typ.	Max.	Unit
Forward Voltage at $I_F = 100\text{mA}$	$V_F$	-	-	1.2	V
Reverse current at $V_R = 35\text{V}$	$I_R$	-	-	0.5	$\mu\text{A}$
Capacitance at $V_R = 0.5\text{V}$ , $f = 1\text{MHz}$	$C_T$	-	-	3	pF
Reverse recovery time at $I_F = 10\text{mA}$ , $V_R = 6\text{V}$	$t_{rr}$	-	-	4	ns



SEMTECH ELECTRONICS LTD. ( Wholly owned subsidiary of Honey Technology Ltd.)



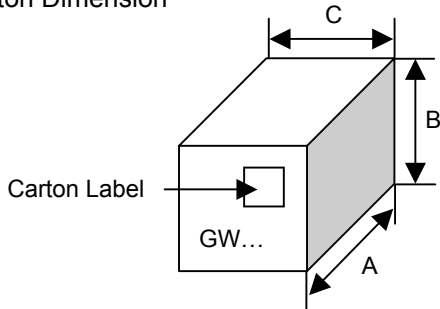
Dated : 31/12/2002

## Packing Specification of 52mm Ammo Pack

1. The method of inner box packing is shown in figure 1.
2. Dimension and Quantity of inner box and taping.

Product outline	A	B	C	Quantity	b	c	f	g	h	$l_1 \sim l_2$	m
DO-34	262 mm	77 mm	71 mm	5kpcs/box	52.25 ±0.25 mm	6.25 ±0.25 mm	5.00 ±0.30 mm	1.0 mm max.	1.0 mm max.	1.0 mm max.	0.8 mm max.

3. Carton Dimension



Product outline		DO-34
Dimension	A(mm)	404
	B(mm)	273
	C(mm)	165

- 3.1 10 box / carton
- 5 box / layer
- 2 layer / carton

4. Quantity of Carton Pack.

Product outline	DO-34
Quantity	50kpcs

5. Label

5.1 The information of inner box label must be listed:

- 5.1.1 TYPE
- 5.1.2 QTY
- 5.1.3 CODE
- 5.1.4 RMK

5.2 The information of carton label must be listed:

- 5.2.1 TYPE
- 5.2.2 QTY

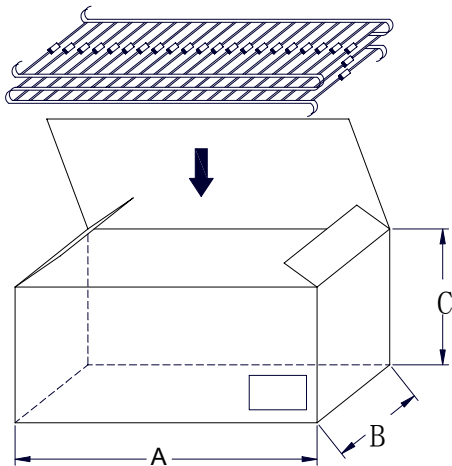


figure 1

