

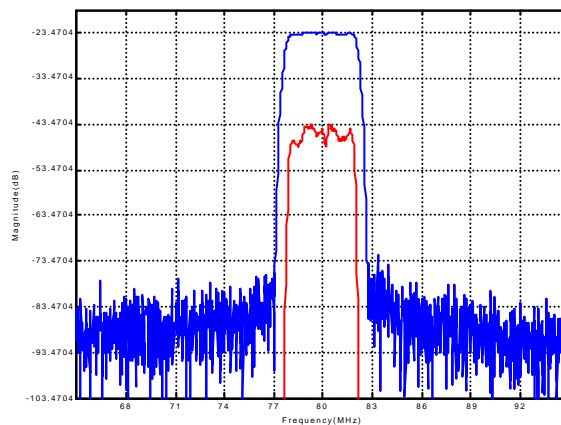


LBT07902 SAW Filter Electrical Characteristic

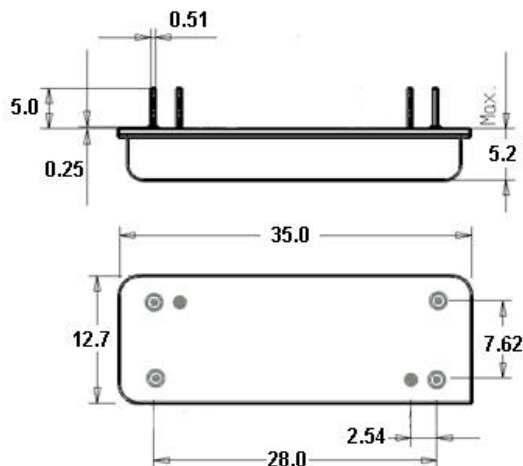
Specifications

| Parameter | Unit | Minimum | Typical | Maximum |
|---------------------|---|---------|---------|---------|
| Center Frequency | MHz | 79.7 | 79.8 | 79.9 |
| Insertion Loss | dB | | 23.0 | 25 |
| 1 dB Bandwidth | MHz | 3.95 | 4.00 | |
| 3 dB Bandwidth | MHz | 4.1 | 4.30 | |
| 40 dB Bandwidth | MHz | | 5.45 | 6.1 |
| Passband variation | dB | | 0.5 | 1.0 |
| Absolute Delay | usec | | 3.23 | 3.5 |
| Ultimate Rejection | dB | 50 | 52 | |
| Substrate Material | | 112 LT | | |
| Ambient Temperature | °C | 25 | | |
| Package Size | DIP3512 (35.0x12.7x5.2mm ³) | | | |

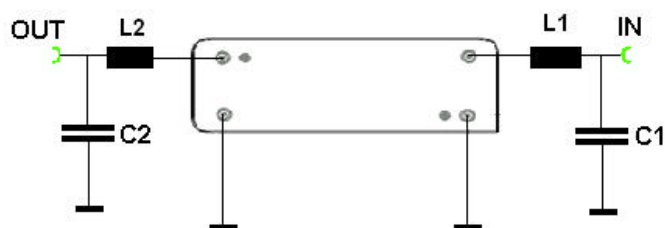
Typical Performance



Package Outline



Matching Configuration



L1=120nH L2=100nH
 C1=70pF C2=60pF

Source/Load Impedance = 50 ohm