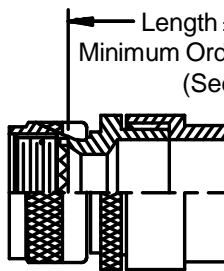
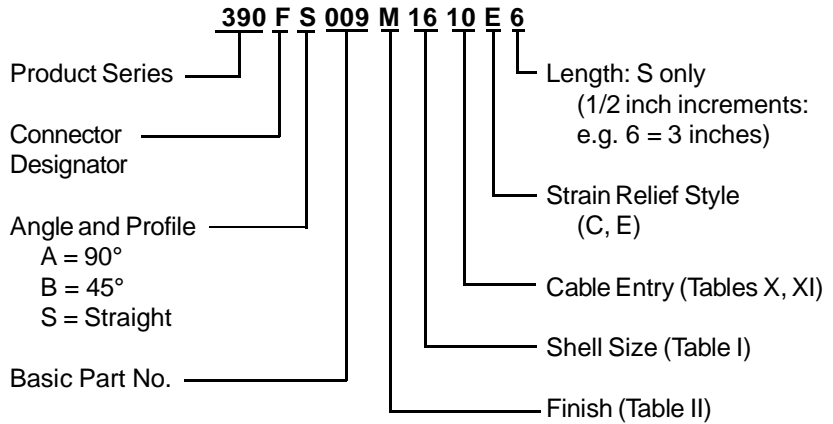
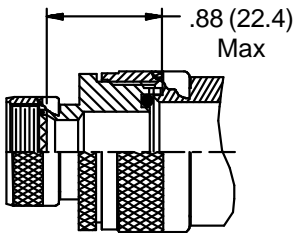
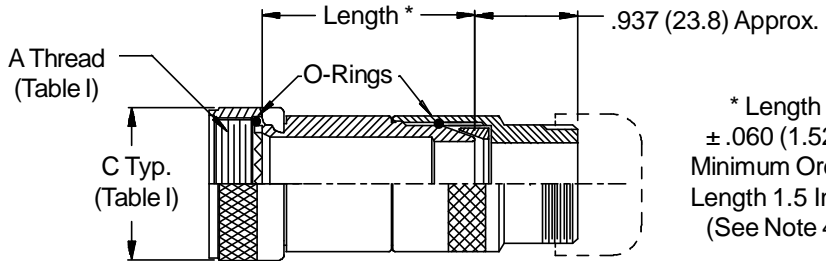


**CONNECTOR
 DESIGNATORS
 A-F-H-L-S
 ROTATABLE
 COUPLING**

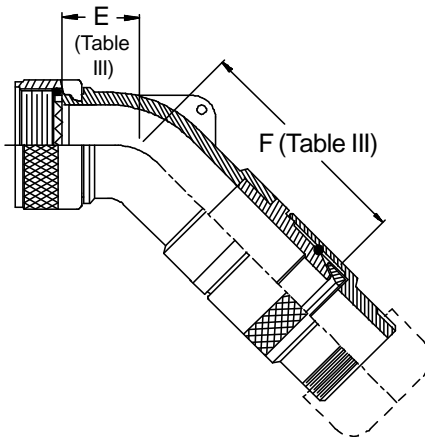
**TYPE C OVERALL
 SHIELD TERMINATION**



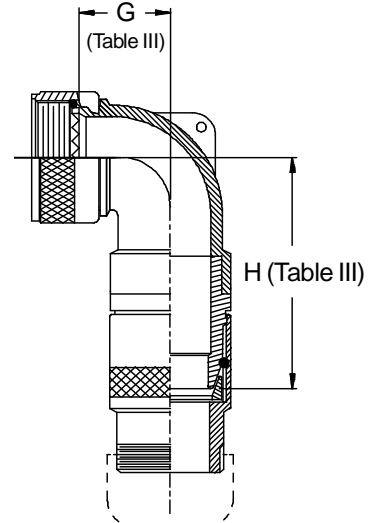
**STYLE 2
 (STRAIGHT)**



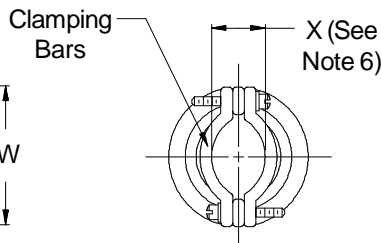
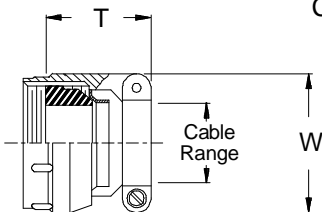
**STYLE 2
 (45° & 90°)**



**STYLE C
 Medium Duty
 (Table X)**



**STYLE E
 Medium Duty
 (Table XI)**



390-009
Submersible EMI/RFI Cable Sealing Backshell
 with Strain Relief
 Type C - Rotatable Coupling - Low Profile



See inside back cover fold-out or pages 13 and 14 for Tables I and II.

TABLE III: ELBOW DIMENSIONS							
Shell Size		E		F		G	
Conn. Desig.	H	Max		Max		Max	
A-F-L-S	H						
08	09					.500 (12.7)	2.725 (69.2)
10	11	.520 (13.2)		2.775 (70.5)		.595 (15.1)	2.845 (72.3)
12	13	.582 (14.8)		2.835 (72.0)		.610 (15.5)	2.865 (72.8)
14	15	.645 (16.4)		3.554 (90.3)		.700 (17.8)	3.564 (90.5)
16	17	.738 (18.7)		3.664 (93.1)		.885 (22.5)	3.654 (92.8)
18	19	.926 (23.5)		3.854 (97.9)		.975 (24.8)	3.824 (97.1)
20	21	.926 (23.5)		3.854 (97.9)		.975 (24.8)	3.824 (97.1)
22	23	1.020 (25.9)		4.192 (106.5)		1.125 (28.6)	4.122 (104.7)
24	25	1.020 (25.9)		4.192 (106.5)		1.125 (28.6)	4.122 (104.7)
28		1.145 (29.1)		4.225 (107.3)		1.225 (31.1)	4.275 (108.6)
32		1.207 (30.7)		4.325 (109.9)		1.575 (40.0)	4.525 (114.9)
36		1.238 (31.4)		4.465 (113.4)		1.775 (45.1)	4.575 (116.2)

TABLE X: CABLE ENTRY							
Dash No.	T Max	W Max	X Ref	Cable Range			
				Min	Max		
03	1.219 (31.0)	.812 (20.6)	.135 (3.4)	.156 (4.0)	.219 (5.6)		
04	1.219 (31.0)	.937 (23.8)	.203 (5.2)	.188 (4.8)	.312 (7.9)		
06	1.219 (31.0)	1.062 (27.0)	.285 (7.2)	.281 (7.1)	.438 (11.1)		
08	1.219 (31.0)	1.188 (30.2)	.350 (8.9)	.312 (7.9)	.531 (13.5)		
10	1.281 (32.5)	1.312 (33.3)	.390 (9.9)	.375 (9.5)	.625 (15.9)		
12	1.281 (32.5)	1.562 (39.7)	.460 (11.7)	.500 (12.7)	.750 (19.1)		
16	1.406 (35.7)	1.750 (44.5)	.510 (13.0)	.625 (15.9)	.938 (23.8)		
20	1.656 (42.1)	2.250 (57.2)	.695 (17.7)	.938 (23.8)	1.250 (31.8)		
24	1.906 (48.4)	2.375 (60.3)	.715 (18.2)	1.000 (25.4)	1.375 (34.9)		
28	1.906 (48.4)	2.625 (66.7)	.915 (23.2)	1.250 (31.8)	1.625 (41.3)		
32	2.000 (50.8)	2.812 (71.4)	1.070 (27.2)	1.500 (38.1)	1.875 (47.6)		

TABLE XI: CABLE ENTRY					
Dash No.	Y Max	Z Max	Cable Range		
			Min	Max	
03	.739 (18.8)	.812 (20.6)	.156 (4.0)	.219 (5.6)	
04	.739 (18.8)	.937 (23.8)	.188 (4.8)	.312 (7.9)	
06	.739 (18.8)	1.062 (27.0)	.281 (7.1)	.438 (11.1)	
08	.739 (18.8)	1.188 (30.2)	.312 (7.9)	.531 (13.5)	
10	.791 (20.1)	1.312 (33.3)	.375 (9.5)	.625 (15.9)	
12	.880 (22.4)	1.562 (39.7)	.500 (12.7)	.750 (19.1)	
16	.901 (22.9)	1.750 (44.5)	.625 (15.9)	.938 (23.8)	
20	1.031 (26.2)	2.250 (57.2)	.938 (23.8)	1.250 (31.8)	
24	1.250 (31.8)	2.375 (60.3)	1.000 (25.4)	1.375 (34.9)	
28	1.250 (31.8)	2.625 (66.7)	1.250 (31.8)	1.625 (41.3)	
32	1.312 (33.3)	2.812 (71.4)	1.500 (38.1)	1.875 (47.6)	

1. When maximum cable entry (page 21) is exceeded, Style 2 will be supplied. Dimensions E, F, G and H will not apply. Please consult factory.
2. Metric dimensions (mm) are indicated in parentheses.
3. Cable range is defined as the accommodations range for the wire bundle or cable. Dimensions shown are not intended for inspection criteria.
4. Consult factory for shorter lengths on straight backshells.
5. Interface O-Ring not supplied with connector designator A.
6. Saddles are bottomed on Clamp Ears.