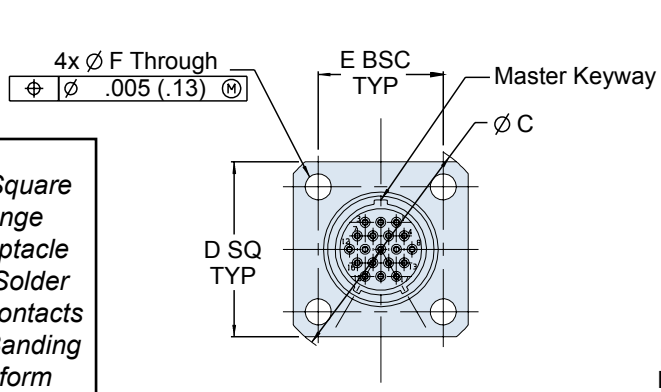


240-801-01 and -07
"Mighty Mouse" Filter Connector
Heavy Duty Double-Start Coupling
Banding Platform Versions with Solder Cup Contacts

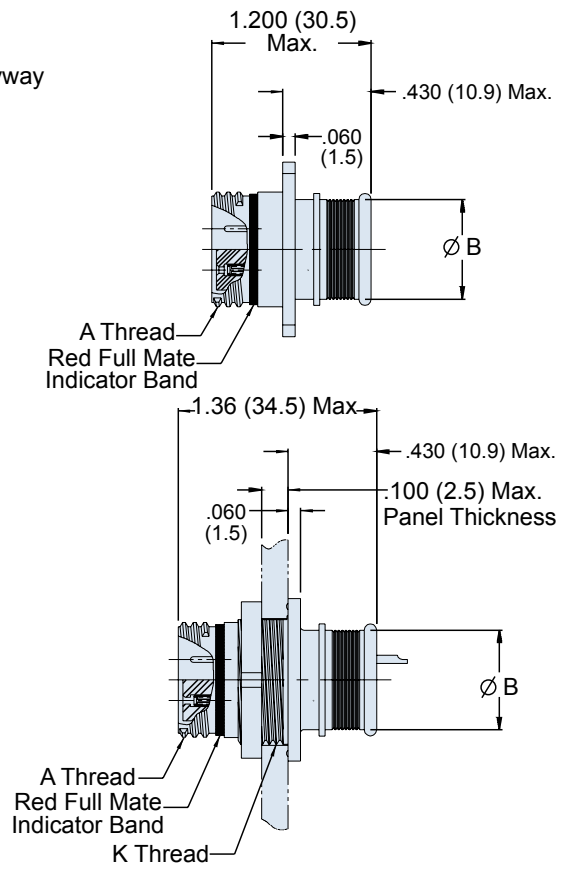
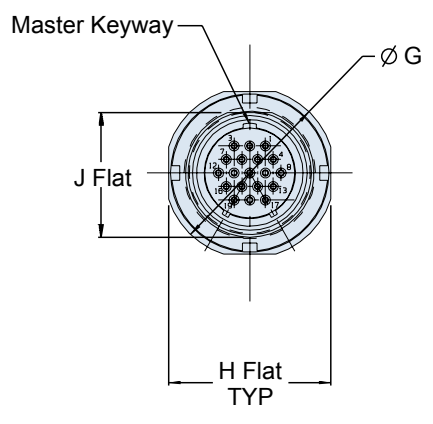


Series 80
Mighty Mouse

01 - Square Flange Receptacle with Solder Cup Contacts and Banding Platform



07 - Jam Nut Receptacle with Solder Cup Contacts and Banding Platform



C

TABLE I: DIMENSIONS

SHELL SIZE	A THREAD	Ø B	Ø C	D SQ	E BSC	F HOLES	Ø G	H FLAT	J FLAT	K THREAD
5	.3125-.05P-.1L-2A	.365 (9.3)	.680 (17.3)	.530 (13.5)	.363 (9.2)	.096 (2.4) .091 (2.3)	.575 (14.6)	.545 (13.8)	.350 (8.9)	.3750-28 UN-2A
6	.3750-.05P-.1L-2A	.409 (10.4)	.750 (19.1)	.590 (15.0)	.423 (10.7)		.635 (16.1)	.595 (15.1)	.410 (10.4)	.4375-28 UNEF-2A
7	.4375-.05P-.1L-2A	.500 (12.7)	.850 (21.6)	.650 (16.5)	.483 (12.3)		.755 (19.2)	.723 (18.4)	.536 (13.6)	.5625-32 UN-2A
8	.5000-.05P-.1L-2A	.522 (13.3)	.938 (23.8)	.712 (18.1)	.545 (13.8)		.755 (19.2)	.723 (18.4)	.536 (13.6)	.5625-32 UN-2A
9	.5625-.05P-.1L-2A	.558 (14.2)	1.125 (28.6)	.850 (21.6)	.607 (15.4)		.830 (21.1)	.790 (20.1)	.596 (15.1)	.6250-28 UN-2A
10	.6250-.05P-.1L-2A	.652 (16.6)	1.188 (30.2)	.890 (22.6)	.670 (17.0)	.130 (3.3) .126 (3.2)	.890 (22.6)	.855 (21.7)	.658 (16.7)	.6875-28 UN-2A
13	.8125-.1P-.2L-2A	.707 (18.0)	1.375 (34.9)	1.030 (26.2)	.812 (20.6)		1.078 (27.4)	1.044 (26.5)	.845 (21.5)	.875-28 UN-2A
16	1.000-.1P-.2L-2A	.871 (22.1)	1.625 (41.3)	1.219 (31.0)	.981 (24.9)		1.264 (32.1)	1.230 (31.2)	1.022 (26.0)	1.0625-20 UN-2A
17	1.062-.1P-.2L-2A	.965 (24.5)	1.700 (43.2)	1.280 (32.5)	1.060 (26.9)		1.325 (33.7)	1.290 (32.8)	1.096 (27.8)	1.125-28 UN-2A