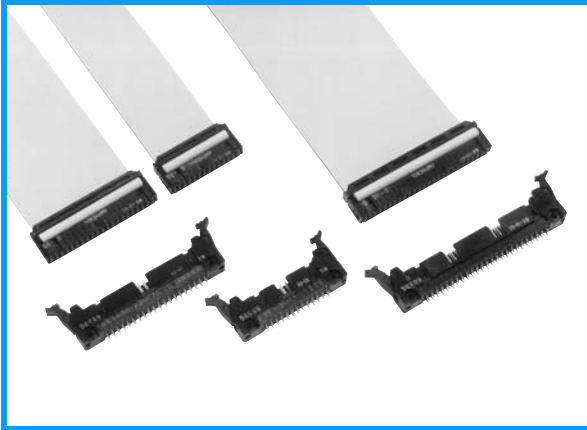


MIL-DTL-83503 Compatible URecognized (File NO.E72124)

C
FRC5



- FRC5 series is a family of DDK FRC series delivering laborsaving feature in cable termination, and it meets the MIL Standard.

FEATURE

- UL recognized component (File NO. E72124)
- MIL-DTL-83503 compatible
- The header is of a double-wall type which prevents completely mis-mating.
- Number of contacts : 10, 14, 16, 20, 26, 30, 34, 40, 50, 60, 64

SPECIFICATION

Voltage rating	250V AC (rms)
Current rating	1A/contact
Dielectric withstanding voltage	500V AC (rms) for 1 minute
Insulation resistance	1000M Ω min. at 500V DC
Contact resistance	15M Ω max.
Operating temperature	-55°C to +105°C
Applicable cable	AWG#28 (stranded, solid) AWG#30 (solid)

MATERIAL/FINISH

Socket	Housing	PBT resin (UL94V-0)/Black
	Cover	PBT resin (UL94V-0)/Black
	Contact	Copper alloy/Gold over Nickel plating
	Strain relief	PBT resin (UL94V-0)/Black
Header	Block	PBT resin (UL94V-0)/Black
	Contact	Copper alloy/Gold over Nickel plating
	Lock	PBT resin (UL94V-0)/Black
	Spring Pin	Stainless Steel

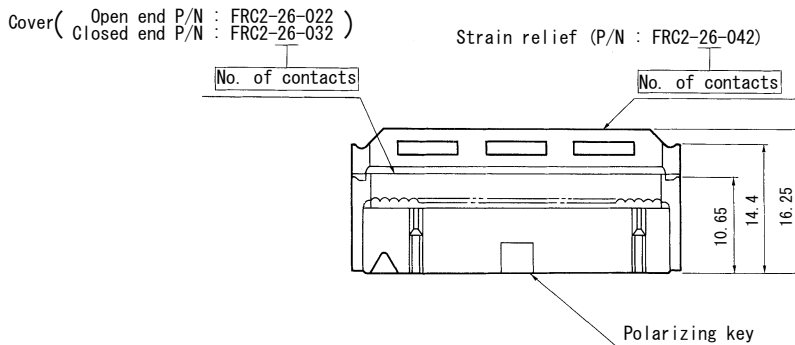
Socket

FRC5-A026-3TOS

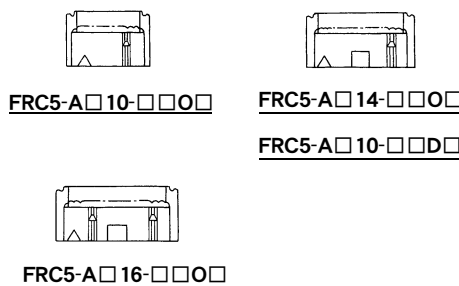
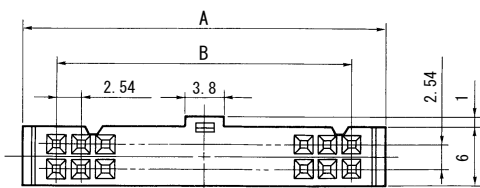
CONNECTOR STYLE A : Socket		STRAIN RELIEF N : without strain relief (for header with short locks) S : with strain relief (for header with long locks)
COVER STYLE (Note) O : Open end Cover A : Closed end Cover		POLARIZING KEY O : 10 NO key 14, 16, 20, 26, 30, 34, 40 ... 1 key 50, 60, 64 2 key (H=22.86mm) A : 50, 60, 64 1 key C : 60 2 keys (H=27.94mm) D : 10 1 key
NO. OF CONTACTS 10, 14, 16, 20, 26, 30, 34, 40, 50, 60, 64		CONTACT REAR PLATING T : Pb-Sn plating.
CONTACT PLATING 1 : 0.8 μ Gold over Nickel 2 : 0.4 μ Gold over Nickel 3 : Gold flash over Nickel		



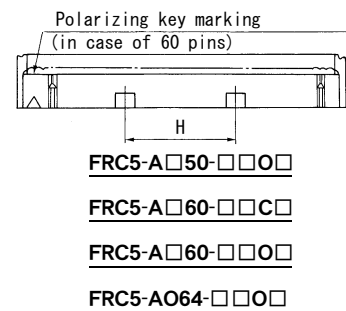
Note : The cover for 64 pins is an open end type only; a closed end type is not available



NO. OF CONTACTS	A	B
10	17.27	10.16
14	22.35	15.24
16	24.89	17.78
20	29.97	22.86
26	37.59	30.48
30	42.67	35.56
34	47.75	40.64
40	55.37	48.26
50	68.07	60.96
60	80.77	73.66
64	85.85	78.74

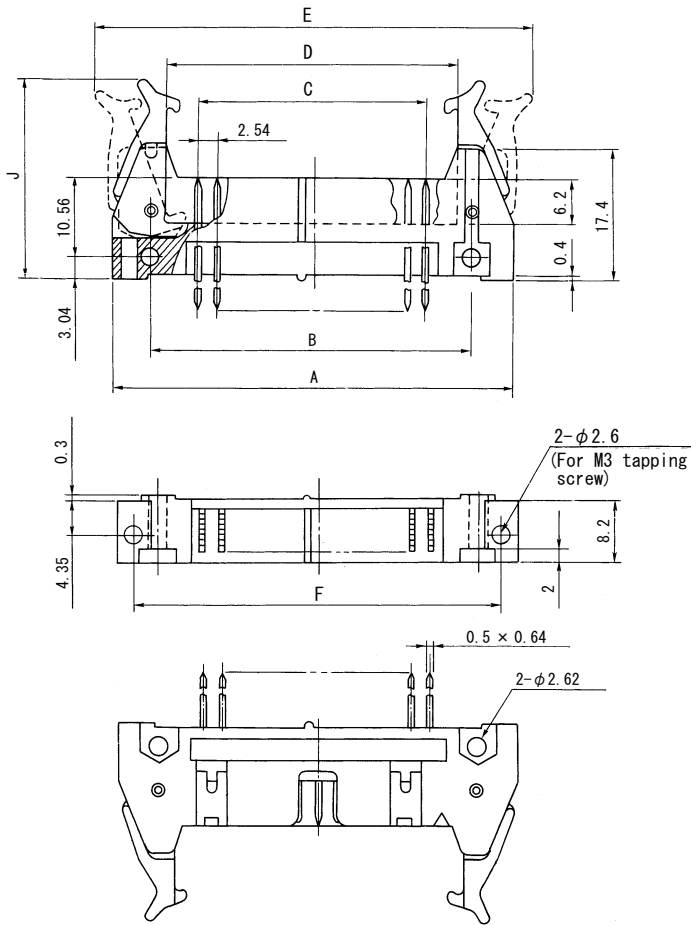


FRC5-A□20~A□40-□□□□
 FRC5-A□50~A□60-□□A□

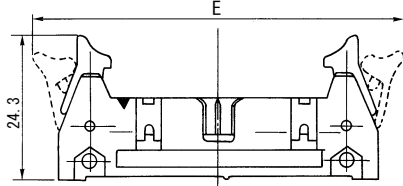




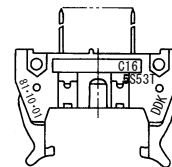
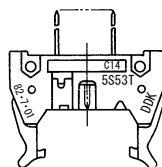
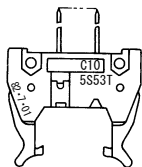
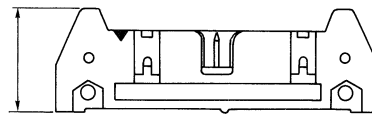
Header with long locks



Header with short locks



Header without a lock



FRC5-C10□□□□-O□

FRC5-C14□□□□-O□

FRC5-C16 to FRC5-C40□□□□-O□

FRC5-C10□□□□-D□

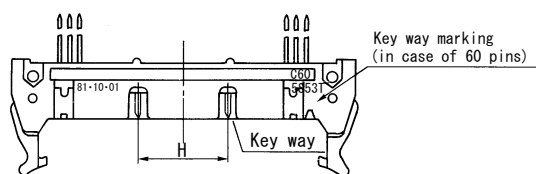
FRC5-C50 to FRC5-C60□□□□-A□

FRC5-C50□□□□-O□

FRC5-C60□□□□-C□

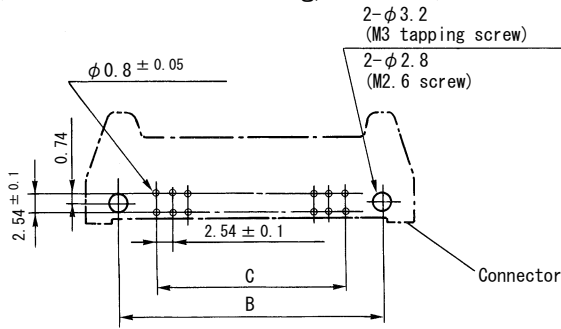
FRC5-C60□□□□-O□

FRC5-C64□□□□-O□

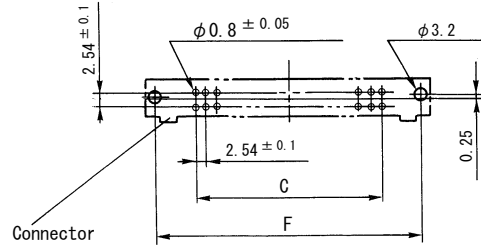


PCB Mounting Dimensions

(as Viewed from Soldering, DIP Side)



Right angle contact tail

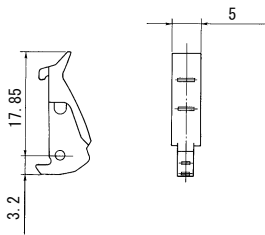


Straight contact tail

■ Long Lock

FRC2-01

Material···PBT resin (UL94V-0)



■ Spring Pin

FRC-03

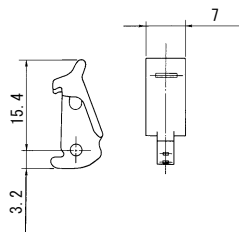
Material···Stainless steel



■ Short lock

FRC2-02

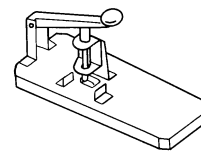
Material···PBT resin (UL94V-0)



Tool

357J-4502

Use this tool when removing or replacing the lock lever.



■ Polarizing Key for Socket

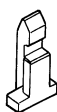
HU-005

A pair of HU-005 consists of an HU-005-1 and an HU-005-2

MATERIAL/FINISH·····Polyamide resin (UL94V-O)/natural color



HU-005-1

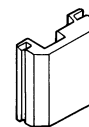


HU-005-2

■ Key Guide for Header

HU-006

MATERIAL/FINISH·····Polycarbonate resin (UL94V-O)/black

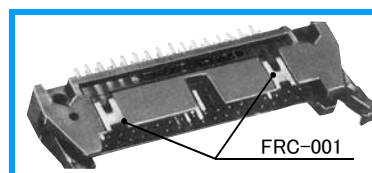
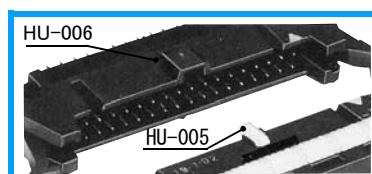
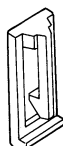


HU-006

■ Polarizing Guide for Header

FRC-001

MATERIAL/FINISH·····Polyamide resin (UL94V-O)/natural color



Note : If connectors having same number of contacts are used side by side, wrong insertion between adjacent connectors can be prevented. However, these components are not applicable to 10-pin keyless, or 16-pin connectors.

Cable Assembly Tools

Cable cutting tool P/N : 357J-4256, Termination tool P/N : 357J-4674D (press)

P/N : 357J-4664N (attachment)