

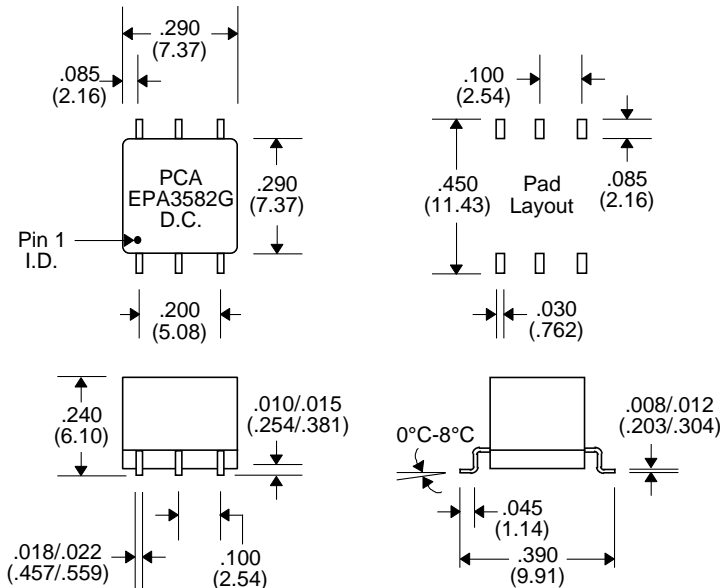


- SMD Package
- 3000 Vrms Isolation with Reinforced Insulation
- Operating Temperature Range : -40°C to +85°C
- Add "-RC" after part number for RoHS Compliant

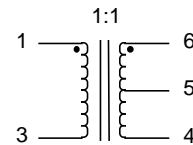
Electrical Parameters @ 25°C

Primary Inductance (μH Min.)	Leakage Inductance (μH Max.)	Interwinding Capacitance (pF Max.)	Turns Ratio ($\pm 5\%$)	Primary DCR (Max.)
250	.15	5	1:1	.35

Package



Schematic



Notes :	EPA3582G	EPA3582G-RC
1. Assembly Process (Solder Composition)	(Leadframe) SnPb	Hot Tin Dip (Sn)
	(Assembly Solder) SnPb	SnPb (RoHS exemption 7a)
2. Peak Solder Rating (per IPC/JEDEC J-STD-020C)	225°C (+0/-5°C)	250°C (+0/°C)
3. Moisture Sensitive Levels (MSL) (per IPC/JEDEC J-STD-020C)	3 (168 Hours, 30°C/60%RH)	4 (72 Hours, 30°C/60%RH)
4. Weight	.7098 grams	.7098 grams
5. Packaging Information	(Tube) 67 pieces	67 pieces
	(Tape & Reel) 550 pieces/13" reel (*EPA3582G-TR)	550 pieces/13 reel (*EPA3582G-RCTR)

Unless Otherwise Specified Dimensions are in Inches /mm $\pm .010 / .25$