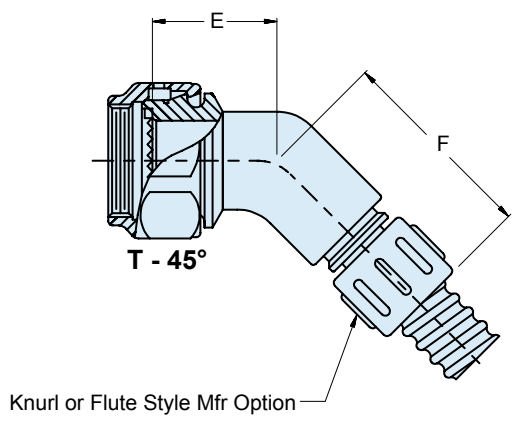
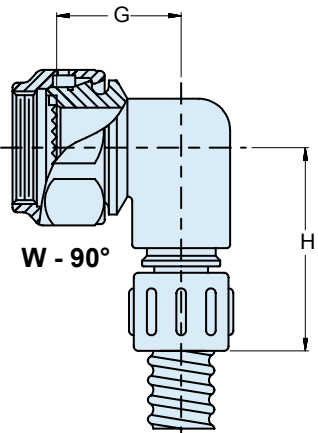
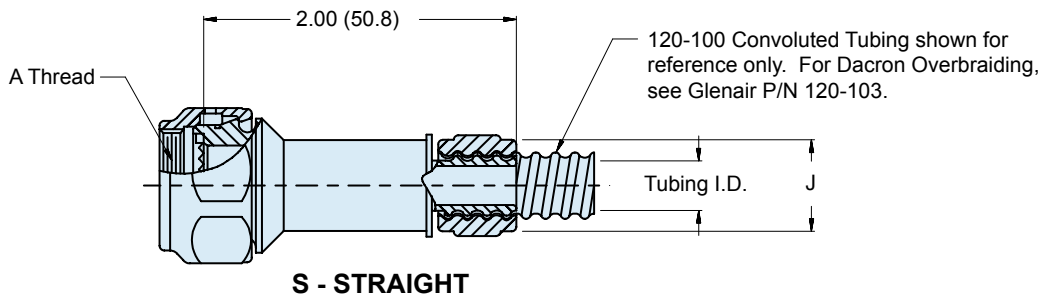
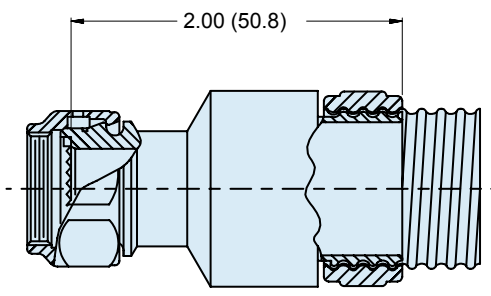
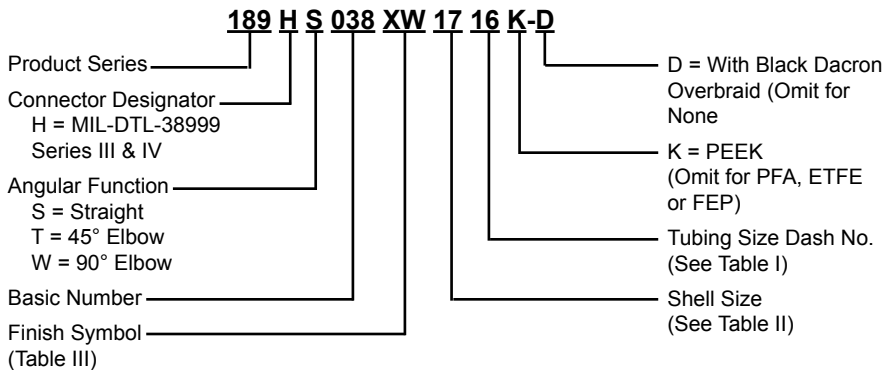


**189-038**  
**Composite Connector Backshell Adapter**  
 for Helical Convoluted Tubing to be used with  
**MIL-DTL-38999 Series III & IV Fiber Optic Connectors**



189-038

**Composite Connector Backshell Adapter  
for Helical Convolute Tubing to be used with  
MIL-DTL-38999 Series III & IV Fiber Optic Connectors**



Conduit and  
Conduit  
Systems

TABLE I: TUBING SIZE

Dash No.	Conduit I.D.	J Dia Max
06	.188 (4.8)	.790 (20.1)
09	.281 (7.1)	.985 (25.0)
10	.312 (7.9)	.985 (25.0)
12	.375 (9.5)	1.035 (26.3)
14	.437 (11.1)	1.100 (27.9)
16	.500 (12.7)	1.160 (29.5)
20	.625 (15.9)	1.285 (32.6)
24	.750 (19.1)	1.480 (37.6)
28	.875 (22.2)	1.670 (42.4)
32	1.000 (25.4)	1.720 (43.7)
40	1.250 (31.8)	2.100 (53.3)
48	1.500 (38.1)	2.420 (61.5)

TABLE III: FINISH

SYM	MATERIAL	FINISH
<b>XM</b>	Composite	Electroless Nickel
<b>XW</b>	Composite	Cadmium Plate/Olive Drab over Electroless Nickel
<b>XO</b>	Composite	No Plating—Base Composite

TABLE II: SHELL SIZE

Shell Size	A Thread ISO Metric	E ±.060 (1.5)	F ±.090 (2.3)	G ±.060 (1.5)	H ±.090 (2.3)	Max Entry Max Tubing Size
11	M15 x 1 - 6H	.750 (19.1)	.950 (24.1)	.750 (19.1)	1.160 (29.5)	12
13	M18 x 1 - 6H	.750 (19.1)	1.020 (25.9)	.810 (20.6)	1.220 (31.0)	16
15	M22 x 1 - 6H	.760 (19.3)	1.050 (26.7)	.880 (22.4)	1.290 (32.8)	20
17	M25 x 1 - 6H	.780 (19.8)	1.070 (27.2)	.940 (23.9)	1.350 (34.3)	24
19	M28 x 1 - 6H	.790 (20.1)	1.080 (27.4)	.970 (24.6)	1.380 (35.1)	28
21	M31 x 1 - 6H	.820 (20.8)	1.110 (28.2)	1.060 (26.9)	1.470 (37.3)	32
23	M34 x 1 - 6H	.860 (21.8)	1.150 (29.2)	1.130 (28.7)	1.540 (39.1)	32
25	M37 x 1 - 6H	.890 (22.6)	1.180 (30.0)	1.190 (30.2)	1.730 (43.9)	40

## APPLICATION NOTES

- Material/ Finish:  
Adapter, Elbow- High Grade Engineering Thermoplastic/ See Table III.  
Coupling and Compression Nuts- High Grade Engineering Thermoplastic/ N.A.  
O- Ring- Fluorosilicone or Silicone/ N.A.  
Anti- Rotation device: Corrosion resistant material.
- Metric Dimensions are in parentheses and are for reference only.