

## Output Capacitor-Less, Low Power Consumption, High Speed LDO Regulator

### GENERAL DESCRIPTION

The XC6501 series is a 6.0V high speed, low noise CMOS LDO regulator that can provide stable output voltages within a range of 1.2V to 5.0V (0.05V increments) even without a load capacitor  $C_L$ . This is possible because phase compensation is carried out internally unlike other LDOs where it is done externally. The series consists of a reference voltage source, driver transistor, error amplifier, current limit circuit, and phase compensation circuit.

The CE function enables the circuit to be put into stand-by mode by inputting a low level signal to the CE pin thereby reducing current consumption from an already low  $13 \mu A$  (in operation) to less than  $0.1 \mu A$ . In the stand-by mode, if a  $C_L$  cap is used, the electric charge stored at  $C_L$  can be discharged via the internal auto-discharge switch and as a result, the  $V_{OUT}$  pin quickly returns to the  $V_{SS}$  level.

The current limit fold-back circuit operates as a short circuit protection and a current limiter function for the output pin.

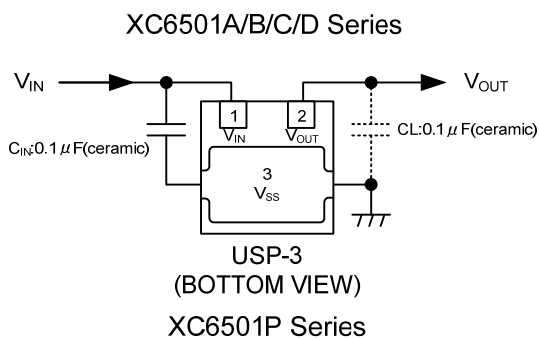
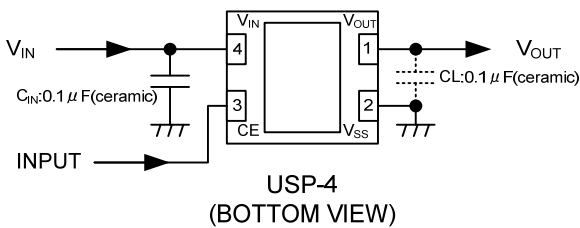
### APPLICATIONS

- Mobile phones (RF, Digital cash, I/O etc.)
- Portable games
- Camera modules
- Wireless LAN modules
- LCD modules
- Bluetooth
- Digital-TV tuners

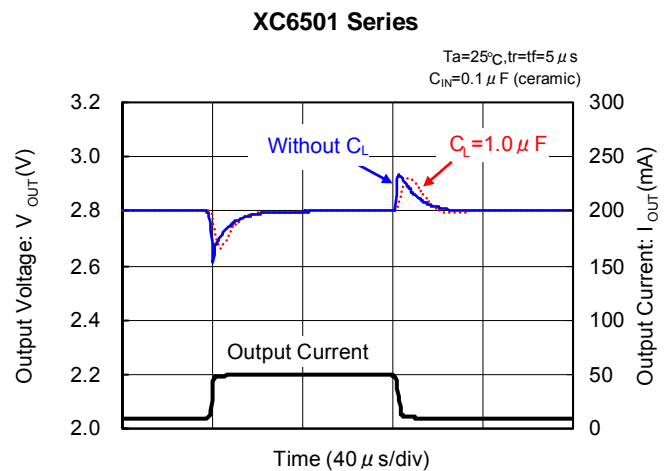
### FEATURES

<b>Operating Voltage Range</b>	: 1.4~6.0V
<b>Output Voltage Range</b>	: 2.0~5.0V (Accuracy:±1%) 1.2~1.95V (Accuracy:±0.02V)
<b>Dropout Voltage</b>	: 150mV@ $I_{OUT}=100mA$ , $V_{OUT}=2.8V$
<b>Low Power Supply</b>	: $13 \mu A$ @ $V_{OUT}=2.8V$
<b>Stand-by Current</b>	: Less than $0.1 \mu A$
<b>Ripple Rejection</b>	: 50dB@f=1kHz, $V_{OUT}=2.8V$
<b>Protection Circuits</b>	: Current limit (300mA, TYP.) : Short circuit protection
<b>Output capacitor is not required</b>	: Internal phase compensation
<b>CL High Speed Auto Discharge</b>	
<b>Packages</b>	USP-3, USP-4 SSOT-24, SOT-25

### TYPICAL APPLICATION CIRCUIT

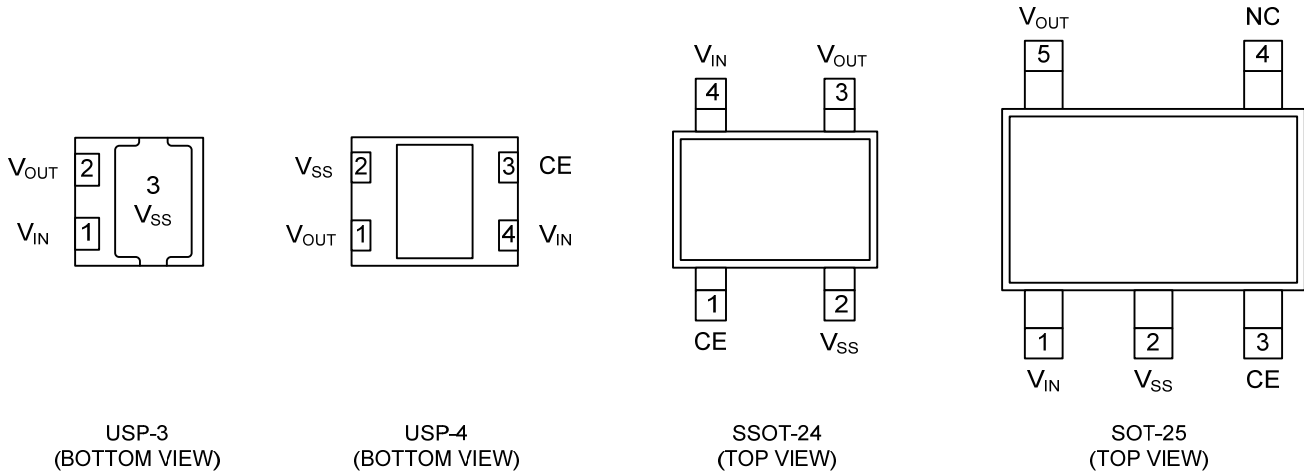


### TYPICAL PERFORMANCE CHARACTERISTICS



# XC6501 Series

## PIN CONFIGURATION



\*The heat dissipation pad of the USP-4 package is recommended to solder as the recommended mount pattern and metal mask pattern for mounting strength. The mount pattern should be electrically opened or connected to the  $V_{SS}$  (No.2) pin.

## PIN ASSIGNMENT

PIN NUMBER				PIN NAME	FUNCTION
USP-3	USP-4	SSOT-24	SOT-25		
1	4	4	1	$V_{IN}$	Power Supply
2	1	3	5	$V_{OUT}$	Output
3	2	2	2	$V_{SS}$	Ground
-	3	1	3	CE	ON/OFF Control
-	-	-	4	NC	No Connection

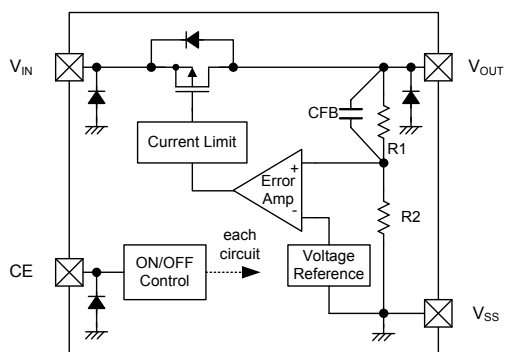
## PRODUCT CLASSIFICATION

### Ordering Information

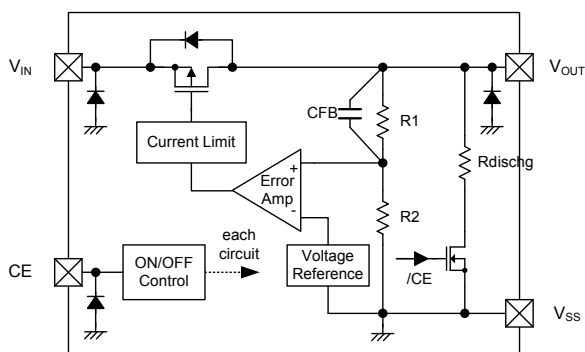
XC6501 \_\_\_\_\_

DESIGNATOR	DESCRIPTION	SYMBOL	DESCRIPTION
①	Regulator Type	A	: CE High Active, Without CE Pull-down, Without CL discharge
		B	: CE High Active, Without CE Pull-down, With CL discharge
		C	: CE High Active, With CE Pull-down, Without CL discharge
		D	: CE High Active, With CE Pull-down, With CL discharge
		P	: 3 pin, without CE pin (USP-3)
②③	Output Voltage	12~50	: ex.)28V → ②=2, ③=8
④	Output Voltage Accuracy	1	: 0.1V increments Accuracy 1.2V~1.9V ( $\pm 0.02V$ ), 2.0~5.0V ( $\pm 1\%$ ) ex.)1.80V → ②=1, ③=8, ④=1
		A	: 0.05V increments Accuracy 1.25V~1.95V ( $\pm 0.02V$ ), 2.05~4.95V ( $\pm 1\%$ ) ex.)1.85V → ②=1, ③=8, ④=A
⑤	Packages	H	: USP-3 (Only XC6501P)
		G	: USP-4
		N	: SSOT-24
		M	: SOT-25
⑥	Device Orientation	R	: Embossed tape, standard feed
		L	: Embossed tape, reverse feed

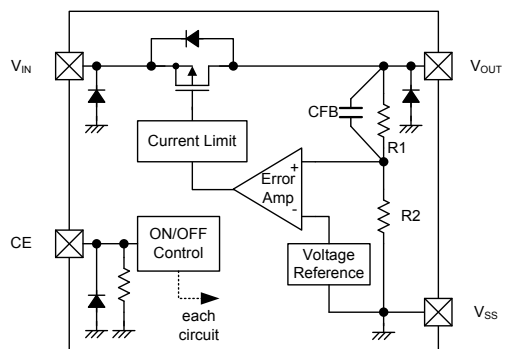
## BLOCK DIAGRAMS



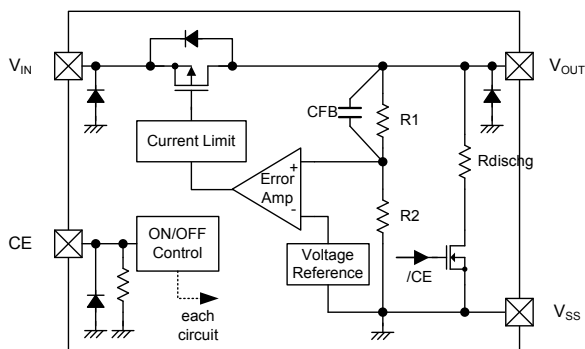
XC6501A Series



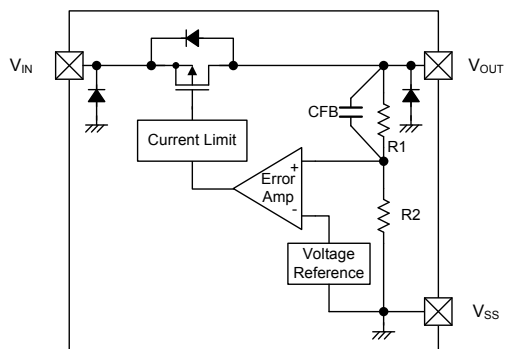
XC6501B Series



XC6501C Series



XC6501D Series



XC6501P Series

\*Diodes inside the circuit are an ESD protection diode and a parasitic diode.

## ABSOLUTE MAXIMUM RATINGS

PARAMETER	SYMBOL	RATINGS	UNITS
Input Voltage	$V_{IN}$	$V_{SS}-0.3 \sim +6.5$	V
Output Current	$I_{OUT}$	400 <sup>(*)1</sup>	mA
Output Voltage	$V_{OUT}$	$V_{SS}-0.3 \sim V_{IN}+0.3$	V
CE Input Voltage	$V_{CE}$	$V_{SS}-0.3 \sim +6.5$	V
Power Dissipation	USP-3	120	mW
	USP-4	120	
	SSOT-24	150	
	SOT-25	250	
		600 (PCB mounted) <sup>(*)2</sup>	
Operating Temperature Range	$T_{opr}$	$-40 \sim +85$	
Storage Temperature Range	$T_{stg}$	$-55 \sim +125$	

\*1:  $P_d > (V_{IN} - V_{OUT}) \times I_{OUT}$

\*2: The power dissipation figure shown is PCB mounted and is for reference only. Please refer to page 20 for details.

## ELECTRICAL CHARACTERISTICS

XC6501 Series

Ta=25°C

PARAMETER	SYMBOL	CONDITIONS	MIN.	TYP.	MAX.	UNITS	CIRCUIT
Output Voltage	$V_{OUT(E)}$ <sup>(*2)</sup>	$2.0V > V_{OUT(T)}$ <sup>(*3)</sup> $V_{CE}=V_{IN}, I_{OUT}=10mA$	-0.02 <sup>(*4)</sup>	$V_{OUT(T)}$	+0.02 <sup>(*4)</sup>	V	①
		$2.0V \leq V_{OUT(T)}$ $V_{CE}=V_{IN}, I_{OUT}=10mA$	$\times 0.99$ <sup>(*4)</sup>		$\times 1.01$ <sup>(*4)</sup>		
Maximum Output Current	$I_{OUTMAX}$	$V_{CE}=V_{IN}$	200	-	-	mA	①
Load Regulation	$\Delta V_{OUT}$	$V_{CE}=V_{IN}, 0.1mA \leq I_{OUT} \leq 100mA$	-	15	45	mV	①
Dropout Voltage <sup>(*5)</sup>	Vdif	$V_{CE}=V_{IN}, I_{OUT}=100mA$	E-1			mV	①
Supply Current	$I_{DD}$	$V_{IN}=V_{CE}=6.0V, I_{OUT}=0mA$	E-2			$\mu A$	②
Stand-by Current	$I_{stby}$	$V_{IN}=6.0V, V_{CE}=V_{SS}$	-	0.01	0.1	$\mu A$	②
Line Regulation	$\frac{\Delta V_{OUT}}{\Delta V_{IN} \cdot V_{OUT}}$	$V_{OUT(T)}+0.5V \leq V_{IN} \leq 6.0V,$ $V_{CE}=V_{IN}, I_{OUT}=30mA$	-	0.10	0.20	%/V	①
Input Voltage	$V_{IN}$		1.4	-	6.0	V	①
Output Voltage Temperature Characteristics	$\frac{\Delta V_{OUT}}{\Delta Ta \cdot V_{OUT}}$	$V_{CE}=V_{IN}, I_{OUT}=30mA$ $-40^\circ C \leq Ta \leq 85^\circ C$	-	$\pm 100$	-	ppm/°C	①
Ripple Rejection Rate	PSRR	$V_{OUT(T)} \leq 4.75V$ $V_{IN} = \{V_{OUT(T)} + 1.0\} V_{DC} + 0.5V_{p-pAC}$ $V_{CE}=V_{IN}, I_{OUT}=30mA, f=1kHz$ $V_{OUT(T)} \geq 4.80V$ $V_{IN} = 5.75V_{DC} + 0.5V_{p-pAC}$ $V_{CE}=V_{IN}, I_{OUT}=30mA, f=1kHz$	-	50	-	dB	③
Current Limit	$I_{LIM}$	$V_{CE}=V_{IN}$	210	300	-	mA	①
Short Circuit Current	$I_{SHORT}$	$V_{CE}=V_{IN}, V_{OUT}$ is short-circuited at the $V_{SS}$ level	-	25	-	mA	①
CE High Level Voltage	$V_{CEH}$		1.0	-	6.0	V	①
CE Low Level Voltage	$V_{CEL}$		$V_{SS}$	-	0.25	V	①
CE High Level Current	$I_{CEH}$	$V_{IN}=V_{CE}=6.0V$	$\text{--- XC6501A/B/P ---}$ $\text{XC6501C/D}$	-0.1 6.0	0.1 10	$\mu A$	①
CE Low Level Current	$I_{CEL}$	$V_{CE}=V_{SS}$	-0.1	-	0.1	$\mu A$	①
CL Auto-Discharge Resistance <sup>(*8)</sup>	$R_{DCHG}$	$V_{IN}=6.0V, V_{OUT}=1.2V, V_{CE}=V_{SS}$	-	250	300	$\Omega$	①
		$V_{IN}=6.0V, V_{OUT}=5.0V, V_{CE}=V_{SS}$	-	400	480	$\Omega$	

Notes:

- \*1: Unless otherwise stated regarding input voltage conditions,  $V_{IN}=V_{OUT(T)}$ <sup>(\*3)</sup>+1.0V.
- \*2:  $V_{OUT(E)}$ : An actual output voltage when an amply stabilized  $I_{OUT}$  ( $V_{OUT(T)}$ +1.0V) is input..
- \*3:  $V_{OUT(T)}$ : Nominal output voltage value
- \*4:  $V_{OUT(E)}$ : Effective output voltage value
- \*5:  $V_{dif}=\{V_{IN1}$ <sup>(\*7)</sup> -  $V_{OUT1}$ <sup>(\*6)</sup>
- \*6:  $V_{OUT1}$ : A voltage equal to 98% of the output voltage when an amply stabilized  $I_{OUT}$  ( $V_{OUT(T)}$ +1.0V) is input.
- \*7:  $V_{IN1}$ : The input voltage when  $V_{OUT1}$  appears as input voltage is gradually decreased.
- \*8: This function is built in the XC6501B/D series only.  
The XC6501A/C series discharges by resistors R1+ R2 only as shown in the block diagrams.

## ELECTRICAL CHARACTERISTICS (Continued)

Voltage Chart

NOMINAL VOLTAGE (V)	E-0		E-1		E-2			
	OUTPUT VOLTAGE (V)		DROPOUT VOLTAGE (mV)		SUPPLY CURRENT ( $\mu$ A)			
	$V_{OUT(E)}$		$V_{dif}$		$I_{SS}$			
$V_{OUT(T)}$	MIN.	MAX.	TYP.	MAX.	TYP.	MAX.		
1.20	1.1800	1.2200	440	690	11	17		
1.25	1.2300	1.2700						
1.30	1.2800	1.3200						
1.35	1.3300	1.3700						
1.40	1.3800	1.4200	300	610				
1.45	1.4300	1.4700						
1.50	1.4800	1.5200						
1.55	1.5300	1.5700						
1.60	1.5800	1.6200	260	530				
1.65	1.6300	1.6700						
1.70	1.6800	1.7200						
1.75	1.7300	1.7700						
1.80	1.7800	1.8200	230	470	12	18		
1.85	1.8300	1.8700						
1.90	1.8800	1.9200						
1.95	1.9300	1.9700						
2.00	1.9800	2.0200	200	430				
2.05	2.0295	2.0705						
2.10	2.0790	2.1210						
2.15	2.1285	2.1715						
2.20	2.1780	2.2220	190	410			13	19
2.25	2.2275	2.2725						
2.30	2.2770	2.3230						
2.35	2.3265	2.3735						
2.40	2.3760	2.4240						
2.45	2.4255	2.4745						
2.50	2.4750	2.5250	210	380				
2.55	2.5245	2.5755						
2.60	2.5740	2.6260						
2.65	2.6235	2.6765						
2.70	2.6730	2.7270						
2.75	2.7225	2.7775						
2.80	2.7720	2.8280	150	360	20			
2.85	2.8215	2.8785						
2.90	2.8710	2.9290						
2.95	2.9205	2.9795						

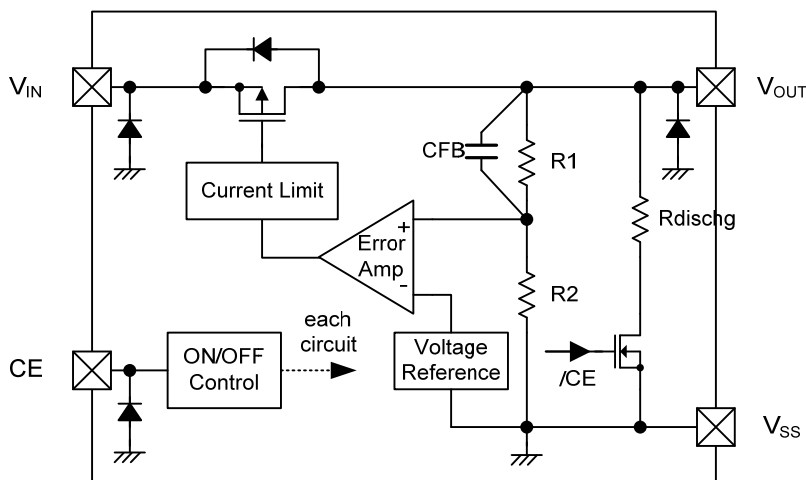
## ELECTRICAL CHARACTERISTICS (Continued)

Voltage Table (continued)

NOMINAL VOLTAGE (V)	E-0 OUTPUT VOLTAGE (V)		E-1 DROPOUT VOLTAGE (mV)		E-2 SUPPLY CURRENT ( $\mu$ A)	
	$V_{OUT(E)}$		$V_{dif}$		$I_{SS}$	
$V_{OUT(T)}$	MIN.	MAX.	TYP.	MAX.	TYP.	MAX.
3.00	2.9700	3.0300	150	360	14	20
3.05	3.0195	3.0805				
3.10	3.0690	3.1310				
3.15	3.1185	3.1815				
3.20	3.1680	3.2320	140	350	21	
3.25	3.2175	3.2825				
3.30	3.2670	3.3330				
3.35	3.3165	3.3835				
3.40	3.3660	3.4340				
3.45	3.4155	3.4845				
3.50	3.4650	3.5350				
3.55	3.5145	3.5855	130	340	15	
3.60	3.5640	3.6360				
3.65	3.6135	3.6865				
3.70	3.6630	3.7370				
3.75	3.7125	3.7875				
3.80	3.7620	3.8380				
3.85	3.8115	3.8885				
3.90	3.8610	3.9390	120	330	16	
3.95	3.9105	3.9895				
4.00	3.9600	4.0400				
4.05	4.0095	4.0905				
4.10	4.0590	4.1410				
4.15	4.1085	4.1915				
4.20	4.1580	4.2420				
4.25	4.2075	4.2925	120	330	16	
4.30	4.2570	4.3430				
4.35	4.3065	4.3935				
4.40	4.3560	4.4440				
4.45	4.4055	4.4945				
4.50	4.4550	4.5450				
4.55	4.5045	4.5955				
4.60	4.5540	4.6460	120	330	16	
4.65	4.6035	4.6965				
4.70	4.6530	4.7470				
4.75	4.7025	4.7975				
4.80	4.7520	4.8480				
4.85	4.8015	4.8985				
4.90	4.8510	4.9490				
4.95	4.9005	4.9995	120	330	16	
5.00	4.9500	5.0500				

## OPERATIONAL EXPLANATION

The voltage divided by resistors R1 & R2 is compared with the internal reference voltage by the error amplifier. The P-channel MOSFET which is connected to the V<sub>OUT</sub> pin is then driven by the subsequent output signal. The output voltage at the V<sub>OUT</sub> pin is controlled & stabilized by a system of negative feedback. The current limit circuit and short protect circuit operate in relation to the level of output current. Further, the IC's internal circuitry can be shutdown via the CE pin's signal.



### XC6501B Series

#### <C<sub>L</sub> High Speed Auto-Discharge Function>

The XC6501B/D series can discharge the electric charge in the output capacitor C<sub>L</sub>, when a low signal to the CE pin, which enables a whole IC circuit turn off, is inputted via the N-channel transistor located between the V<sub>OUT</sub> pin and the V<sub>SS</sub> pin as shown in the BLOCK DIAGRAM. The C<sub>L</sub> auto-discharge resistance value is set at 400 Ω (V<sub>OUT</sub>=5.0V @ V<sub>IN</sub>=6.0V at typical). The discharge time of the output capacitor C<sub>L</sub> is set by the C<sub>L</sub> auto-discharge resistance R and the output capacitor C<sub>L</sub>. By setting time constant of a C<sub>L</sub> auto-discharge resistance value Rdischg and an output capacitor value C<sub>L</sub> as τ (τ = C x Rdischg), the output voltage after discharge via the N-channel transistor is calculated by the following formulas.

$$V = V_{OUT(E)} \times e^{-t/\tau}, \text{ or } t = \tau \times \ln(V_{OUT(E)} / V)$$

where V : Output voltage after discharge, V<sub>OUT(E)</sub> : Output voltage, t : Discharge time,

τ : C<sub>L</sub> auto-discharge resistance Rdischg x Output capacitor C<sub>L</sub>

#### <Current Limiter, Short-Circuit Protection>

The XC6501 series' fold-back circuit operates as an output current limiter and a short protection of the output pin. When the load current reaches the current limit level, the fixed current limiter circuit operates and output voltage drops. When the output voltage is shorted to the V<sub>SS</sub>, its current flow reached and minimized to about 25mA.

#### <CE Pin>

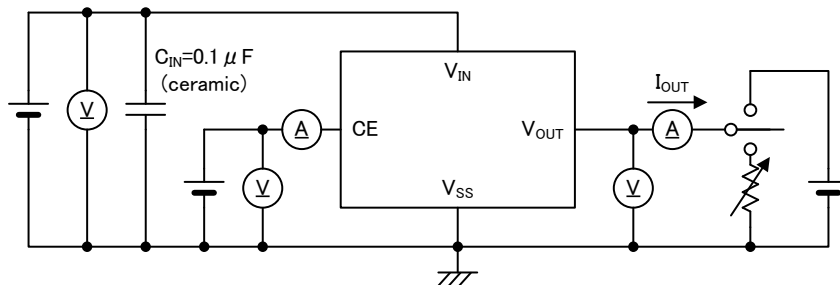
The IC's internal circuitry can be shutdown via the signal from the CE pin with the XC6501 series. In shutdown mode output at the V<sub>OUT</sub> pin will be pulled down to the V<sub>SS</sub> level via R1 & R2. However, as for the XC6501B/D series, the C<sub>L</sub> auto-discharge resistor is connected in parallel to R1 and R2 while the power supply is applied to the V<sub>IN</sub> pin. Therefore, time until the V<sub>OUT</sub> pin reaches the V<sub>SS</sub> level becomes short. The output voltage becomes unstable, when the CE pin is open. If this IC is used with the correct output voltage for the CE pin, the logic is fixed and the IC will operate normally. However, supply current may increase as a result of through current in the IC's internal circuitry when medium voltage is input.

## NOTES ON USE

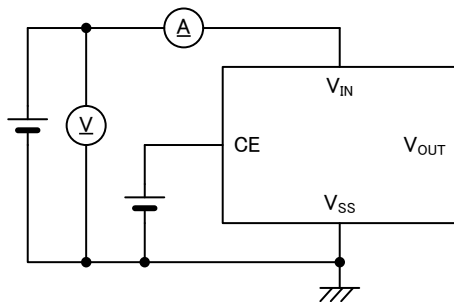
1. Please use this IC within the stated absolute maximum ratings. The IC is liable to malfunction should the ratings be exceeded.
2. This IC achieves stable operation without an output capacitor C<sub>L</sub> by internal phase compensation. However, wiring impedance is high, operations may become unstable due to noise and/or phase lag depending on output current. Please wire the input capacitor C<sub>IN</sub> and the output capacitor C<sub>L</sub> as close to the IC as possible.

## TEST CIRCUITS

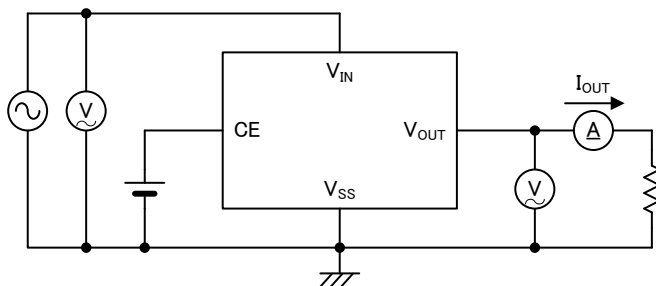
Circuit



Circuit



Circuit

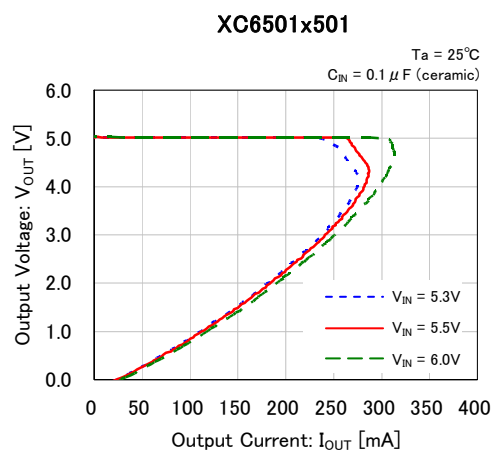
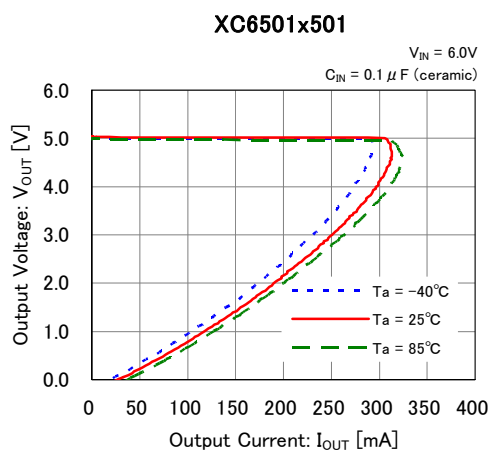
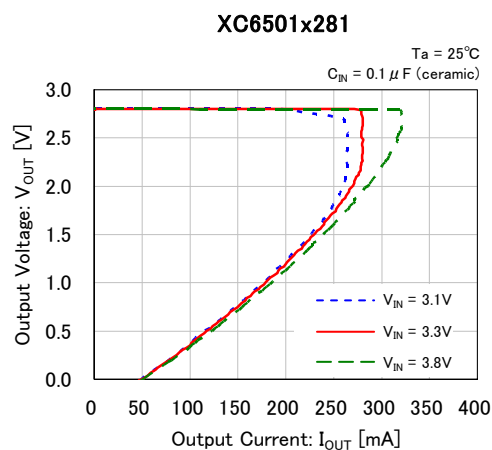
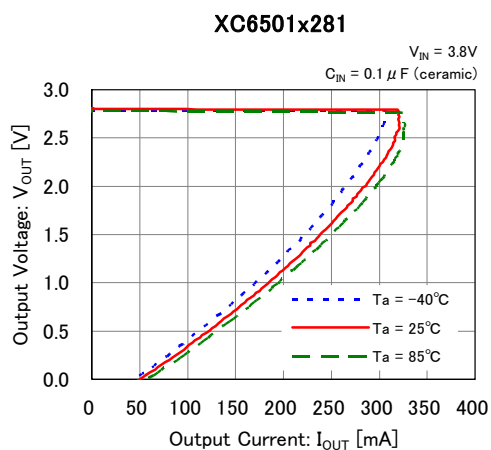
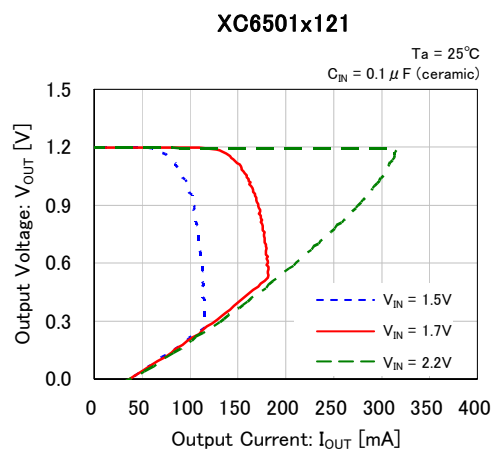
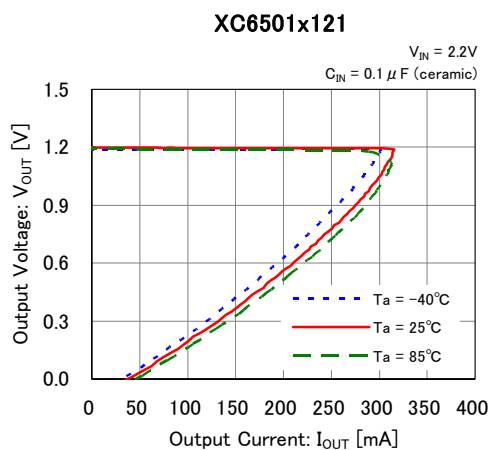




# TYPICAL PERFORMANCE CHARACTERISTICS

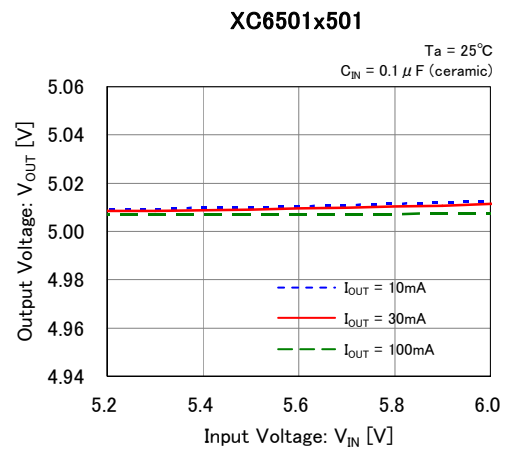
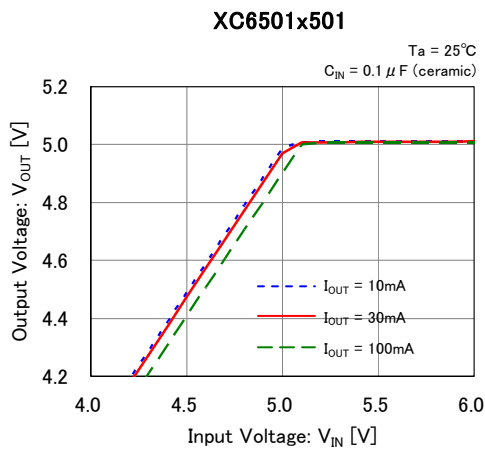
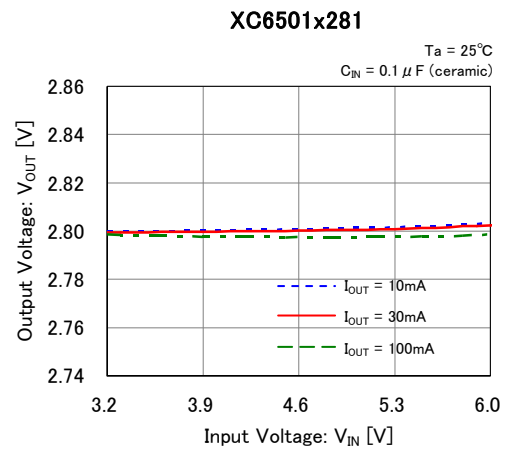
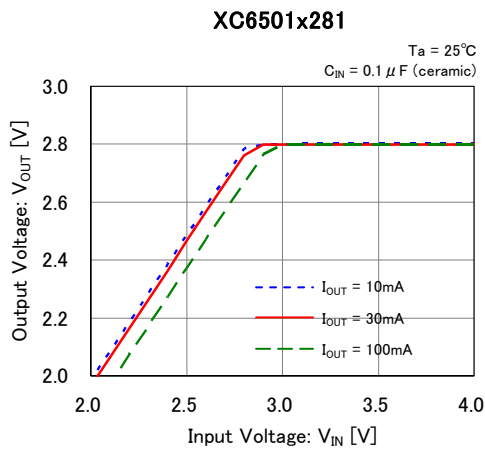
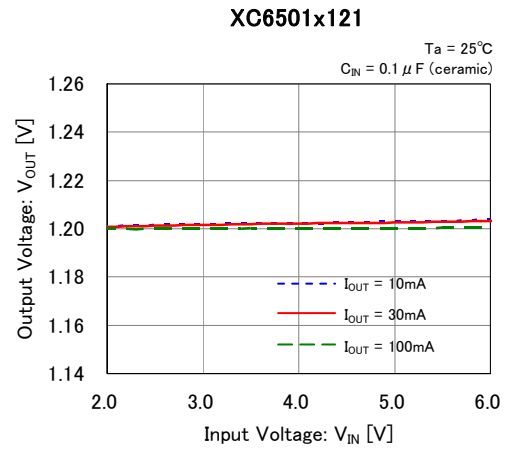
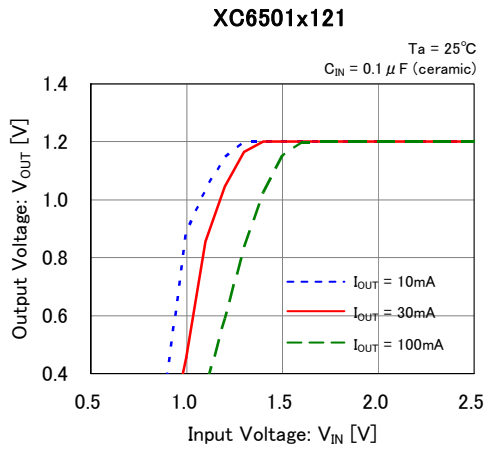
\*CE Voltage condition: Unless otherwise stated,  $V_{CE} = V_{IN}$

## (1) Output Voltage vs. Output Current



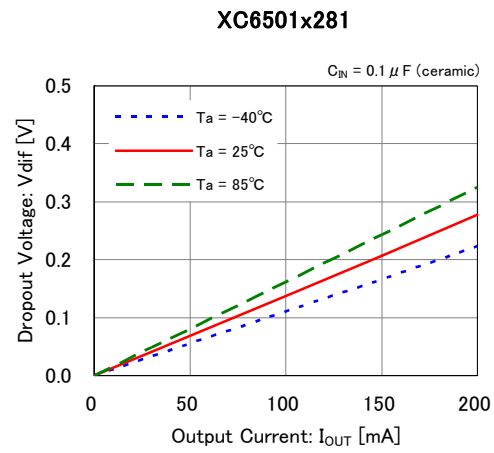
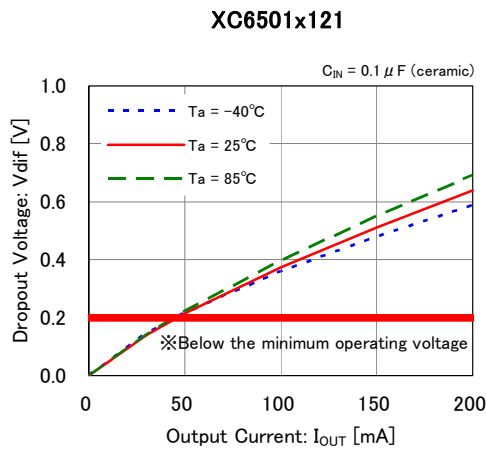
## TYPICAL PERFORMANCE CHARACTERISTICS (Continued)

### (2) Output Voltage vs. Input Voltage

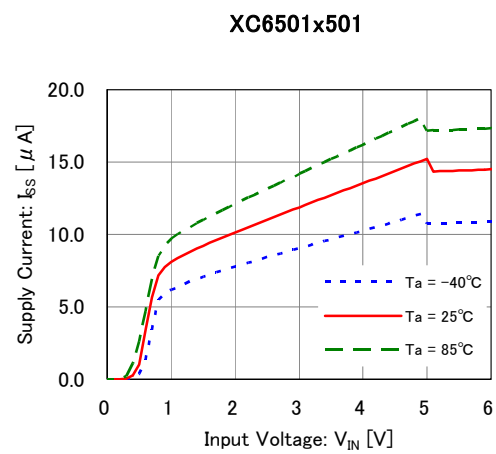
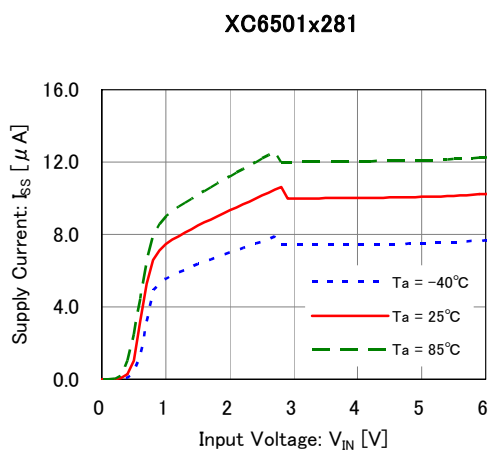
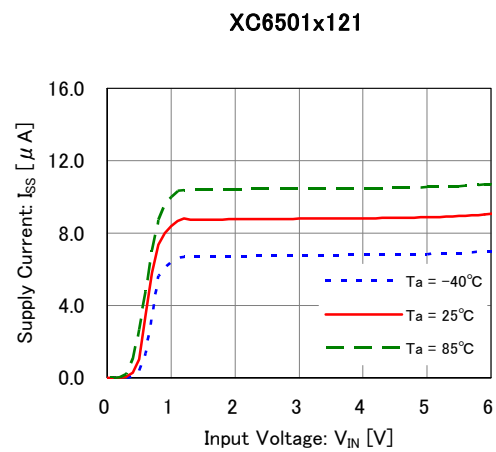
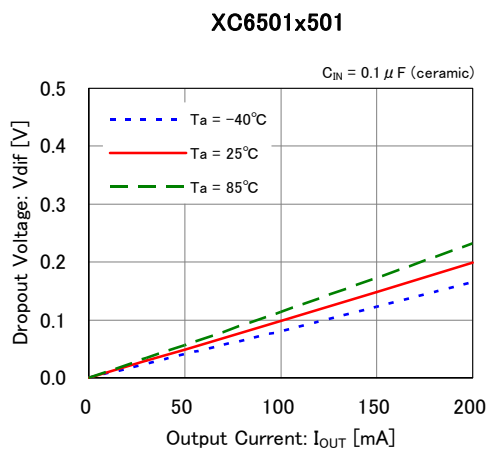


## TYPICAL PERFORMANCE CHARACTERISTICS (Continued)

### (3) Dropout Voltage vs. Output Current

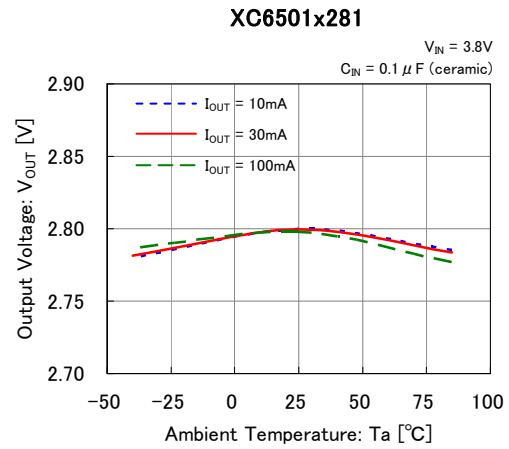
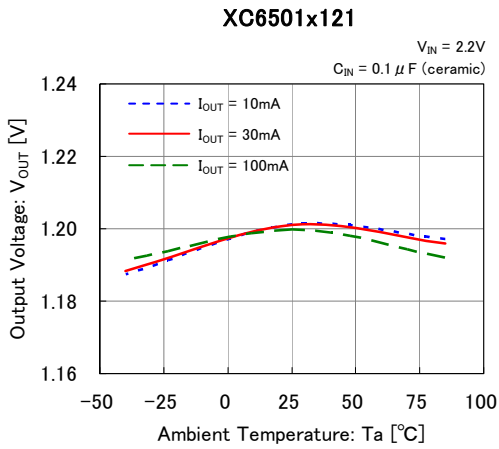


### (4) Supply Current vs. Input Voltage

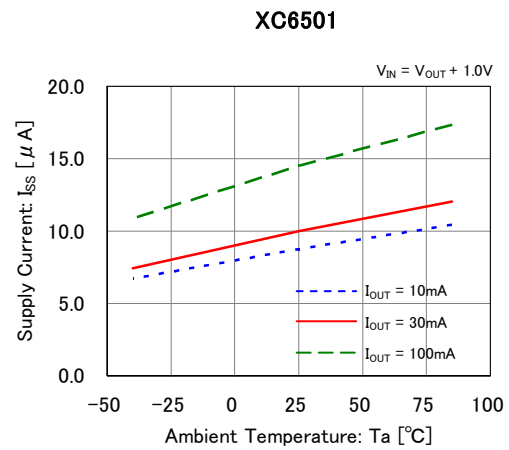
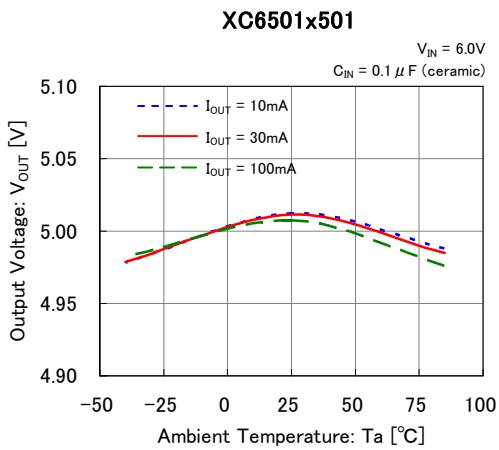


## TYPICAL PERFORMANCE CHARACTERISTICS (Continued)

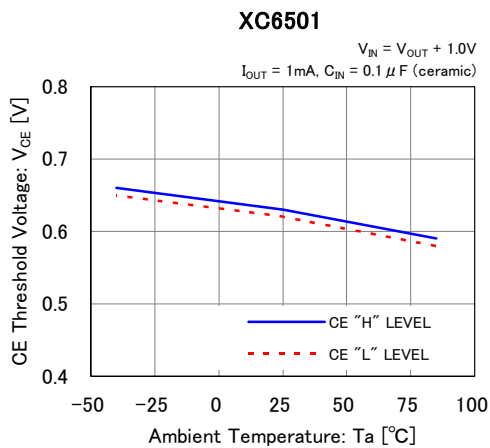
### (5) Output Voltage vs. Ambient Temperature



### (6) Supply Current vs. Ambient Temperature

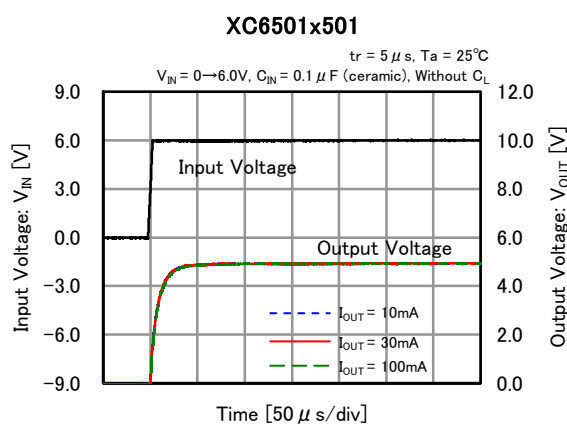
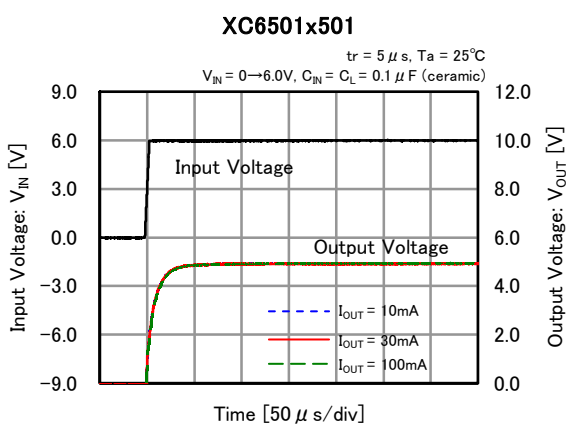
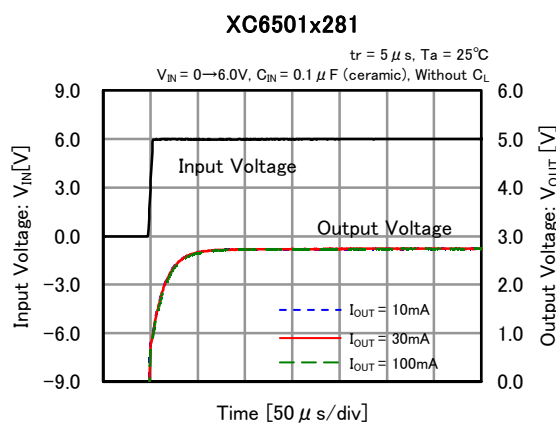
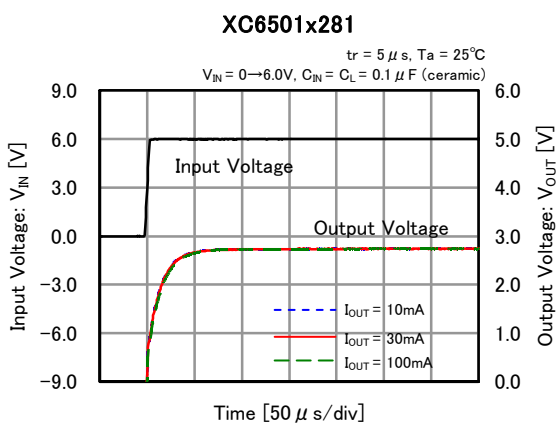
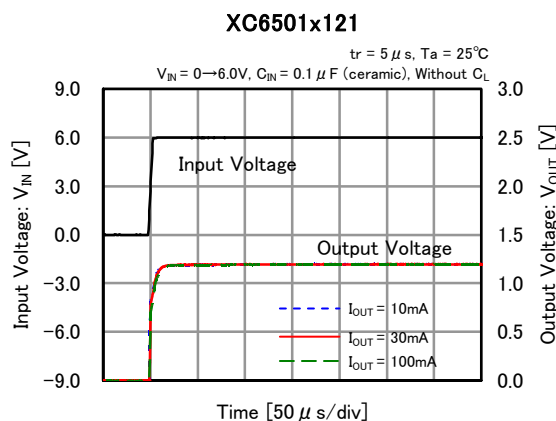
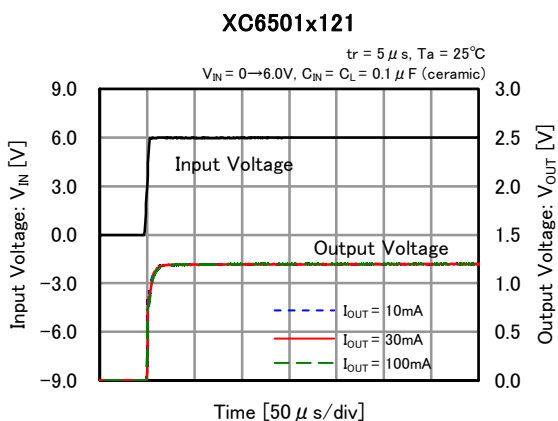


### (7) CE Threshold Voltage vs. Ambient Temperature



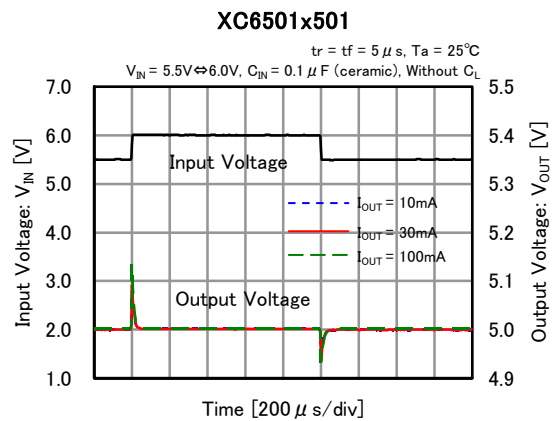
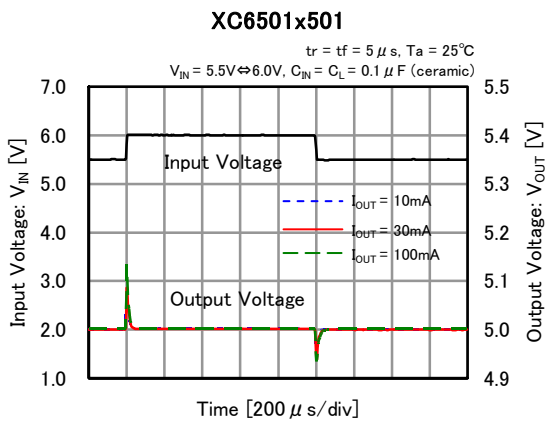
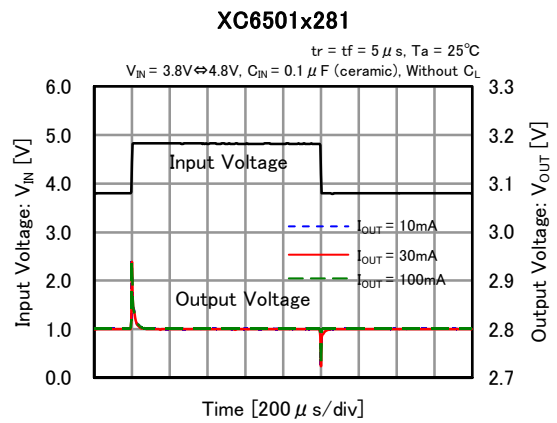
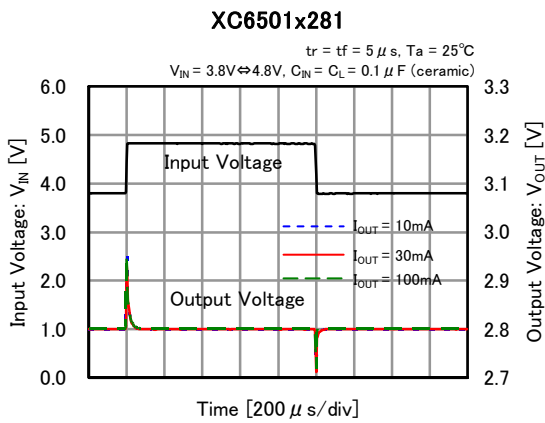
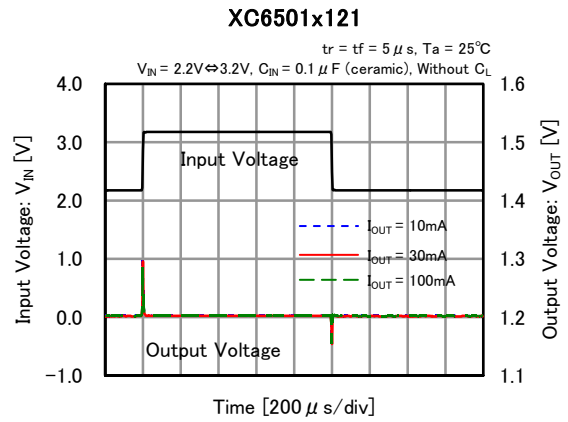
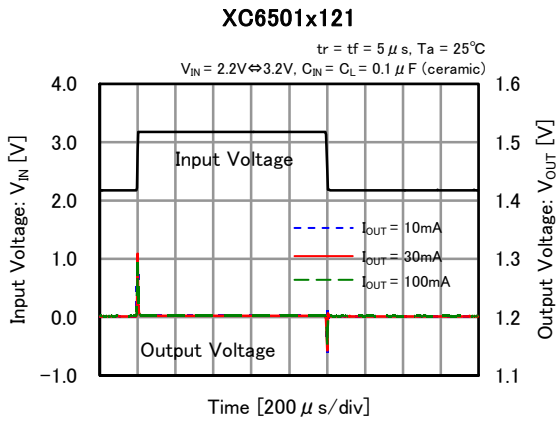
## TYPICAL PERFORMANCE CHARACTERISTICS (Continued)

### (8) Rising Response Time



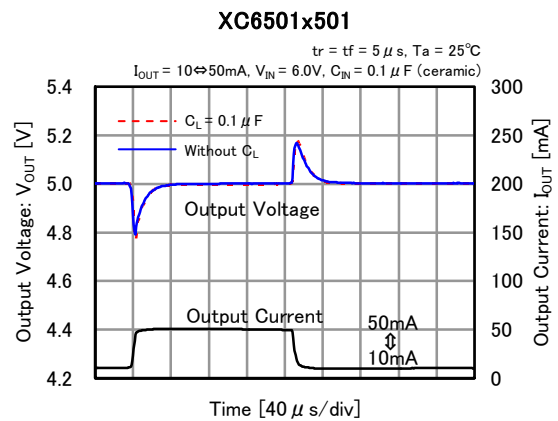
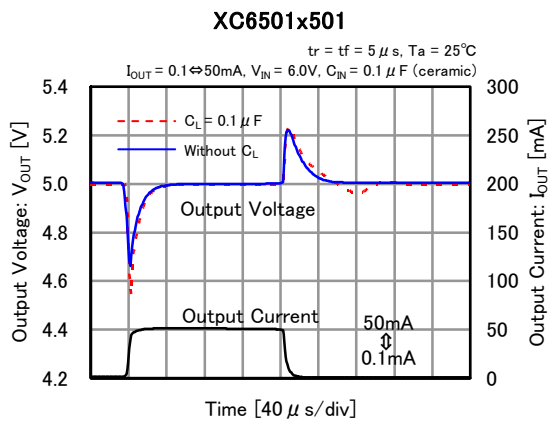
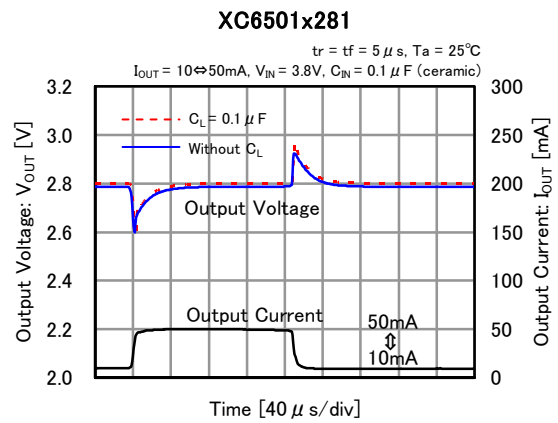
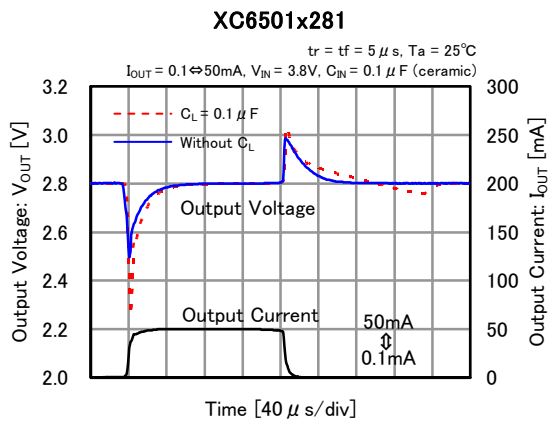
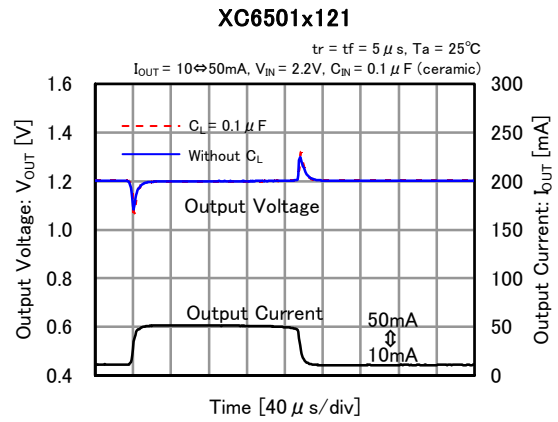
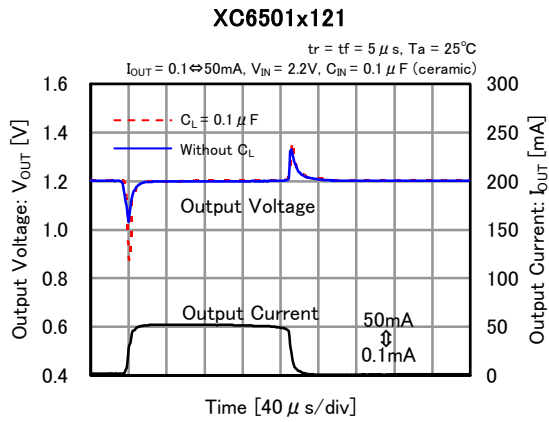
## TYPICAL PERFORMANCE CHARACTERISTICS (Continued)

### (9) Input Transient Response



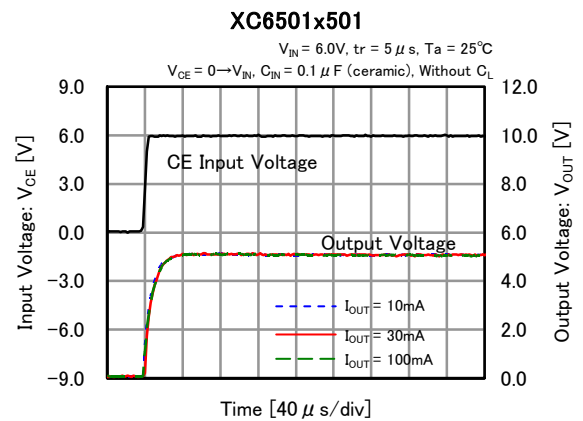
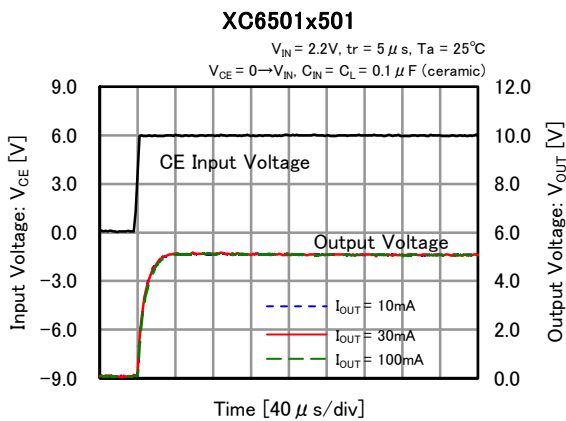
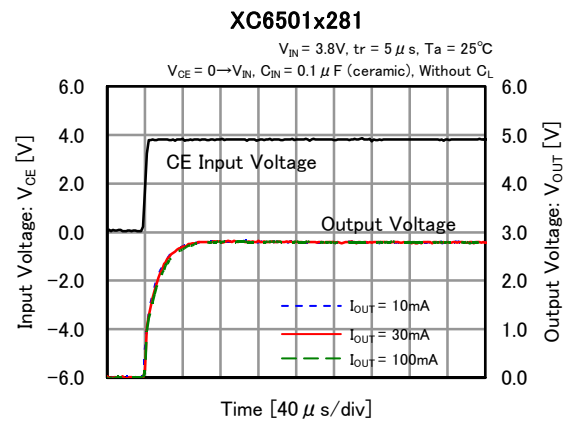
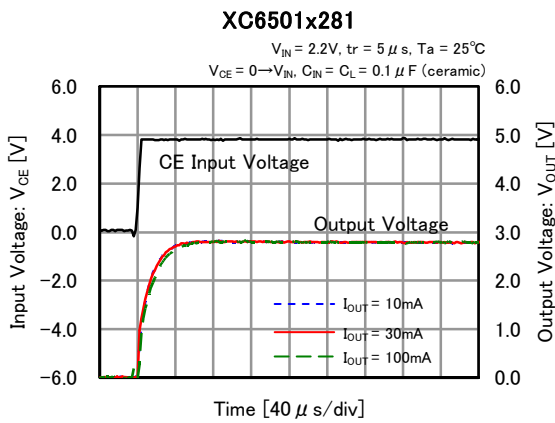
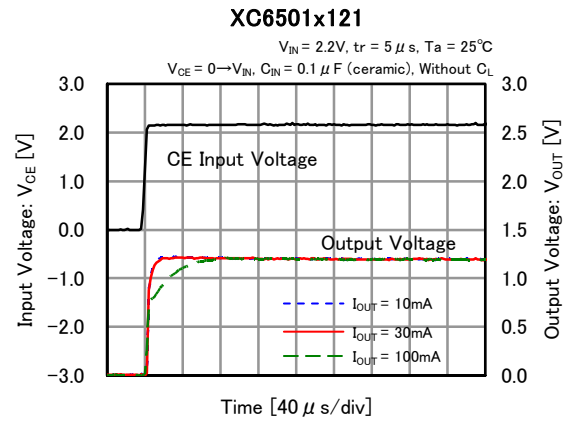
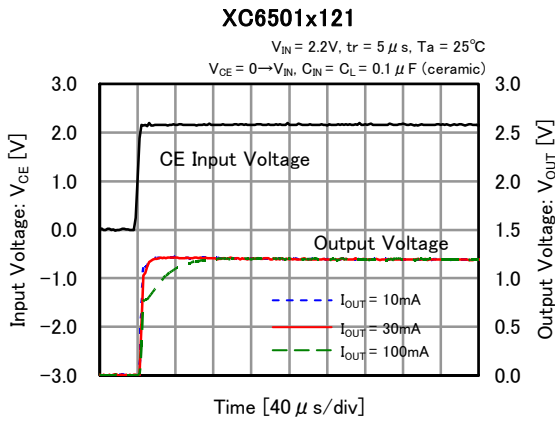
# TYPICAL PERFORMANCE CHARACTERISTICS (Continued)

## (10) Load Transient Response



## TYPICAL PERFORMANCE CHARACTERISTICS (Continued)

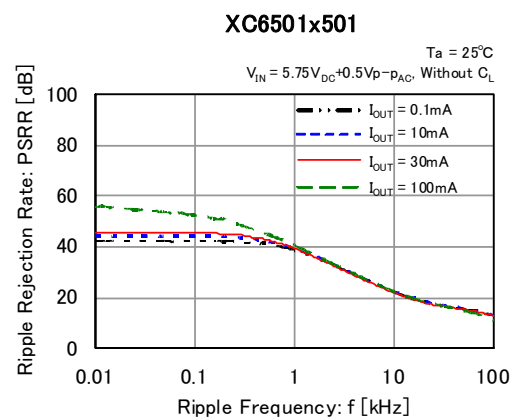
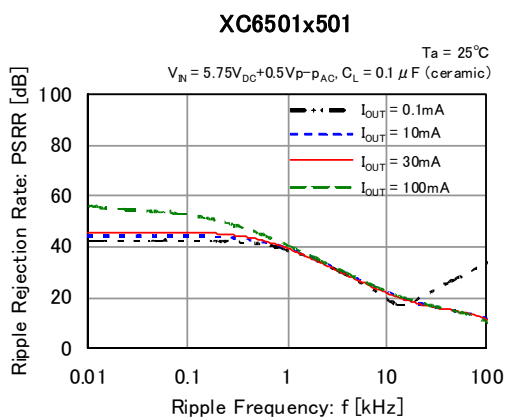
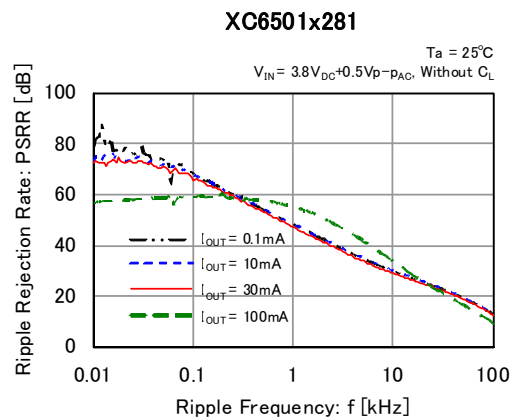
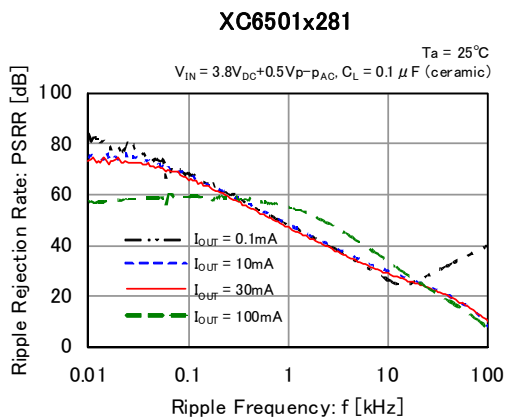
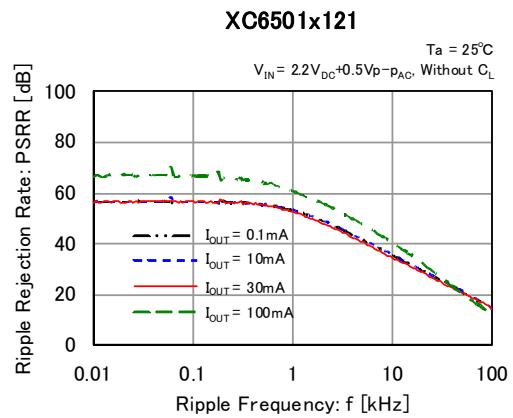
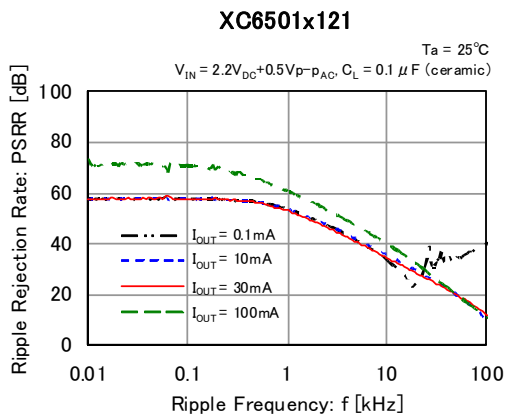
### (11) CE Rising Respose Time





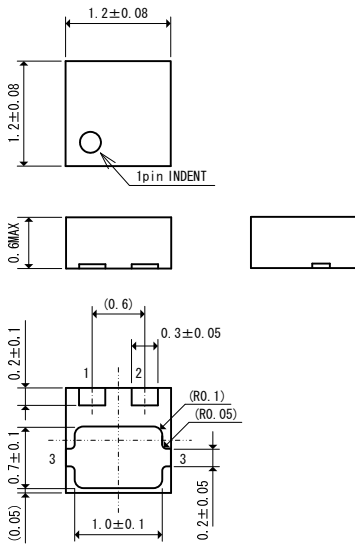
## TYPICAL PERFORMANCE CHARACTERISTICS (Continued)

### (12) Ripple Rejection Rate

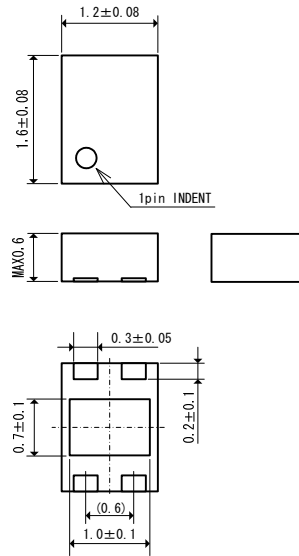


## PACKAGING INFORMATION

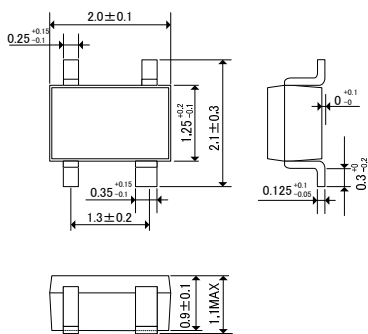
### ● USP-3



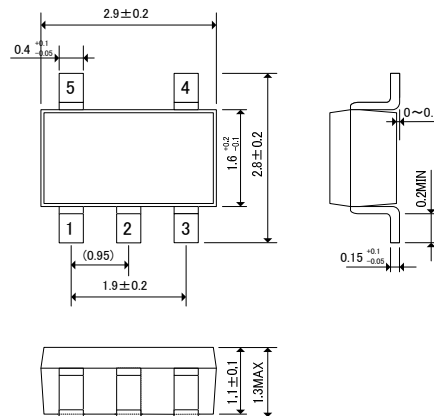
### ● USP-4



### ● SSOT-24

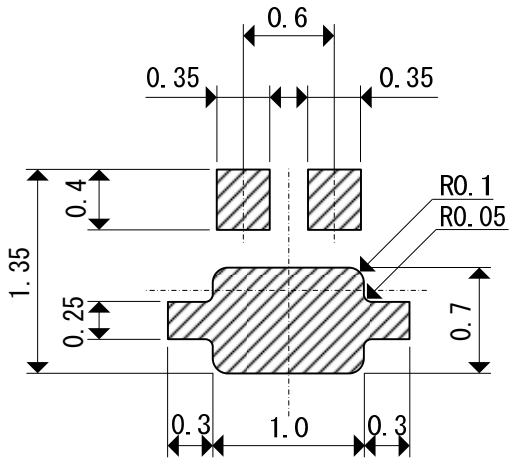


### ● SOT-25

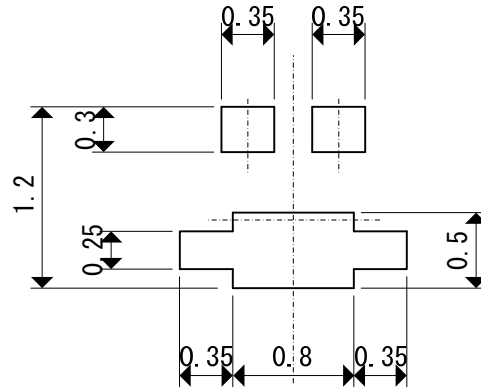


## PACKAGING INFORMATION (Continued)

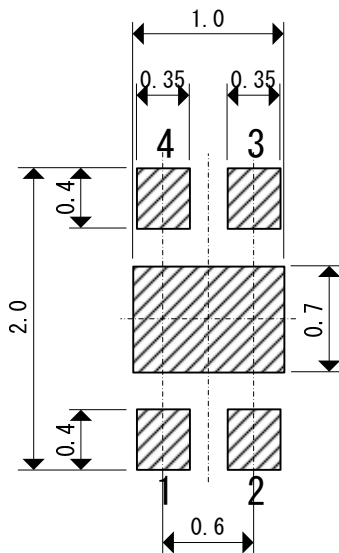
USP-3 Reference Pattern Layout



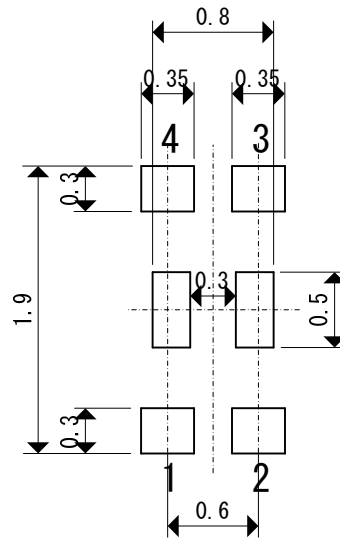
USP-3 Reference Metal Mask Design



USP-4 Reference Pattern Layout



USP-4 Reference Metal Mask Design



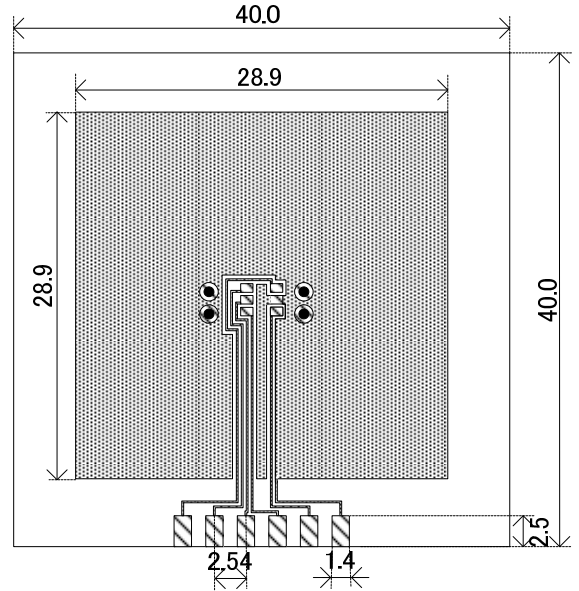
## PACKAGING INFORMATION (Continued)

### SOT-25 Power Dissipation

Power dissipation data for the SOT-25 is shown in this page.  
The value of power dissipation varies with the mount board conditions.  
Please use this data as one of reference data taken in the described condition.

#### 1. Measurement Condition (Reference data)

- Condition: Mount on a board
- Ambient: Natural convection
- Soldering: Lead (Pb) free
- Board: Dimensions 40 x 40 mm (1600 mm<sup>2</sup> in one side)  
Copper (Cu) traces occupy 50% of the board area  
In top and back faces  
Package heat-sink is tied to the copper traces  
(Board of SOT-26 is used.)
- Material: Glass Epoxy (FR-4)
- Thickness: 1.6 mm
- Through-hole: 4 x 0.8 Diameter

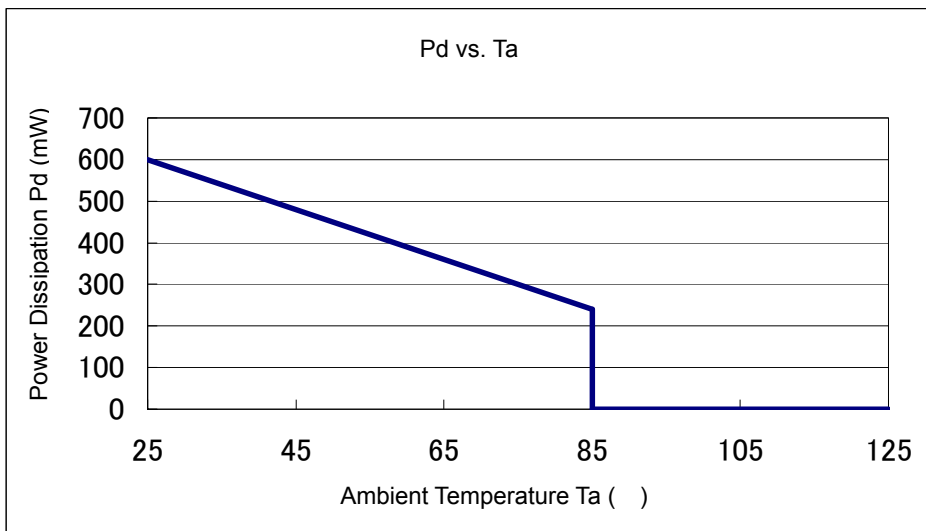


Evaluation Board (Unit: mm)

#### 2. Power Dissipation vs. Operating temperature

Board Mount ( $T_j \text{ max} = 125$  )

Ambient Temperature (°C)	Power Dissipation Pd (mW)	Thermal Resistance (°C/W)
25	600	166.67
85	240	



1. The products and product specifications contained herein are subject to change without notice to improve performance characteristics. Consult us, or our representatives before use, to confirm that the information in this datasheet is up to date.
2. We assume no responsibility for any infringement of patents, patent rights, or other rights arising from the use of any information and circuitry in this datasheet.
3. Please ensure suitable shipping controls (including fail-safe designs and aging protection) are in force for equipment employing products listed in this datasheet.
4. The products in this datasheet are not developed, designed, or approved for use with such equipment whose failure or malfunction can be reasonably expected to directly endanger the life of, or cause significant injury to, the user.  
(e.g. Atomic energy; aerospace; transport; combustion and associated safety equipment thereof.)
5. Please use the products listed in this datasheet within the specified ranges.  
Should you wish to use the products under conditions exceeding the specifications, please consult us or our representatives.
6. We assume no responsibility for damage or loss due to abnormal use.
7. All rights reserved. No part of this datasheet may be copied or reproduced without the prior permission of TOREX SEMICONDUCTOR LTD.

**TOREX SEMICONDUCTOR LTD.**