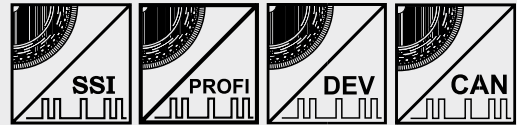


POSIWIRE® WS58C with Absolute Encoder Output



Very compact position sensor

- Measuring range 0 ... 2500 mm
- With absolute encoder output
- High precision 0.05 % (optional 0.01 %)



Specifications		
Output		See order code
Resolution for 12 bit/revolution (4096 steps/revolution)		0.04 mm Distance/revolution 163.84 mm
Material		Aluminium und stainless steel; cable: stainless steel
Sensing device		Absolute encoder
Connection		Depending on the encoder type: connector or bus cover
Linearity		±0.05% f. s.; ±0.01% f. s. as option
Protection class (DIN EN 60529)		IP50 (IP64 as option), depending on the encoder
Weight		0.6 kg max., depending on the encoder
EMC, temperature		Refer to output specification

Order code WS58C

WS58C - [] - [] - [] - []

Model name

Measurement range (in mm)

2500 (smaller measurement ranges included)

Output

- HSSI = Absolute encoder with synchronous serial interface (SSI)
- HPROF = Absolute encoder with Profibus interface
- HDEV = Absolute encoder with DeviceNet interface
- HCAN = Absolute encoder with CAN interface
- HCANOP = Absolute encoder with CANopen interface

Linearity (option)

L01 = ±0.01%

Cable fixing

- M4 = M4 thread
- SB0 = Cable clip

Order code mating connector

SSI: **CONN-CONIN-12F-G**

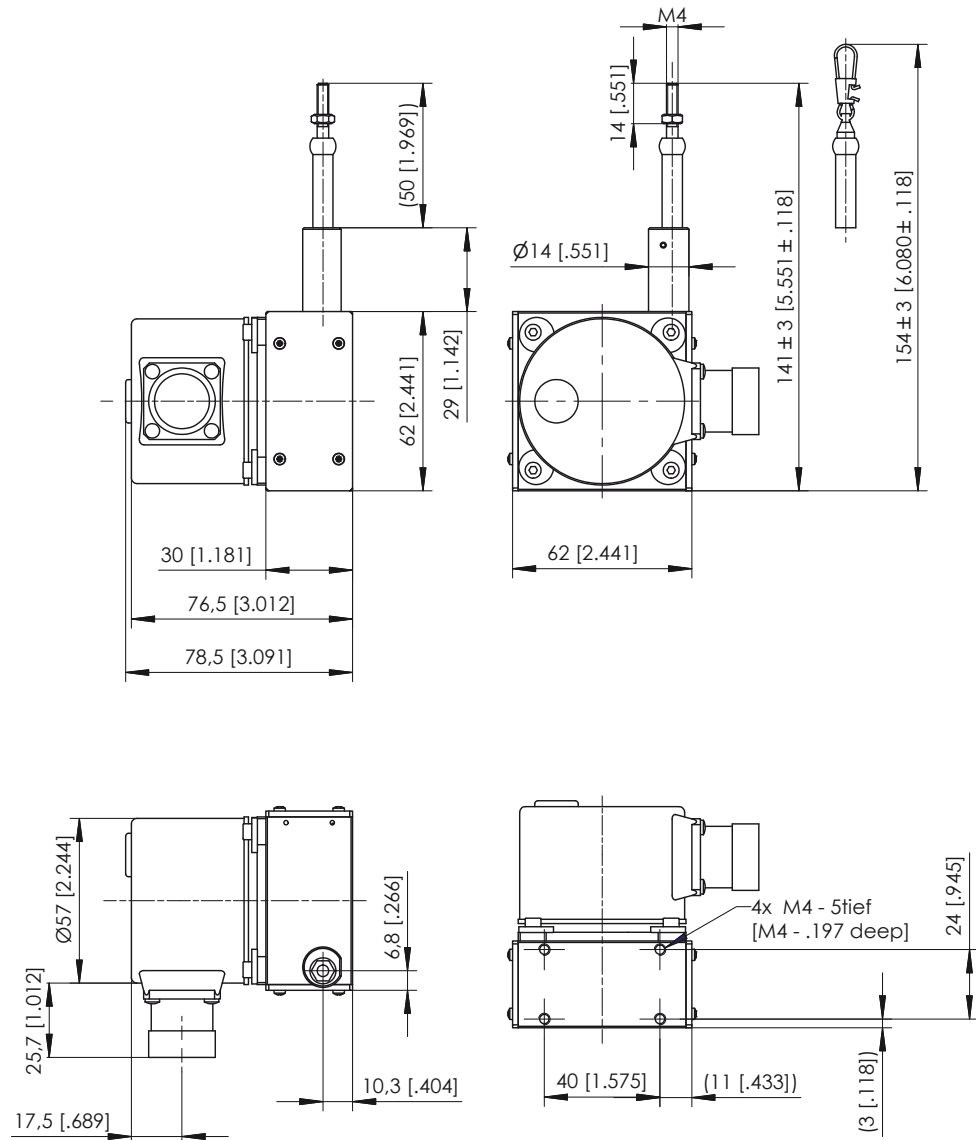
Order example: WS58C - 2500 - HSSI - M4

POSIWIRE®
WS58C
with Absolute Encoder Output



Cable forces, typical at 20 °C	Measurement range	Max. pull-out force	Min. pull-in force
	[mm]	[N]	[N]
	2500	4.0	1.6

**Outline drawing
HSSI**

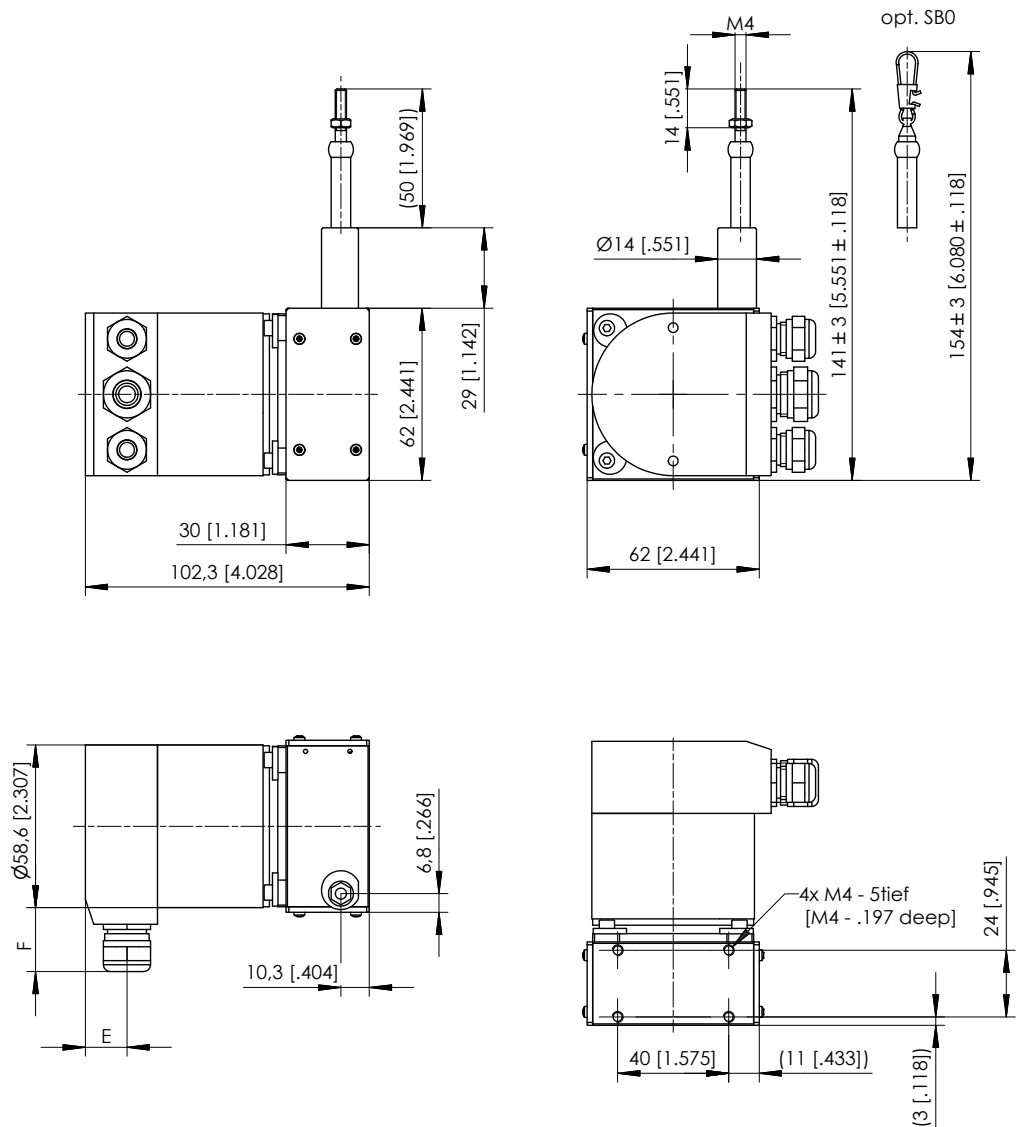


Dimensions informative only.
For guaranteed dimensions consult factory.

POSIWIRE®
WS58C
with Absolute Encoder Output



Outline drawing
 HPROF/HDEV/
 HCAN/HCANOP



Dimensions E und F depending on the encoder type

Dimensions informative only.
 For guaranteed dimensions consult factory.