



PD38 Dual Digit 7 Segment 0.56" Display

Features

- *Dual Digit .56" (14.22mm) Orange Display
- *Direct Drive with 18 Pins
- *Low Current Requirements
- *High Light Output
- *IC Compatible
- *High Reliability
- *Gray Face, White Segments
- *RoHS Compliant

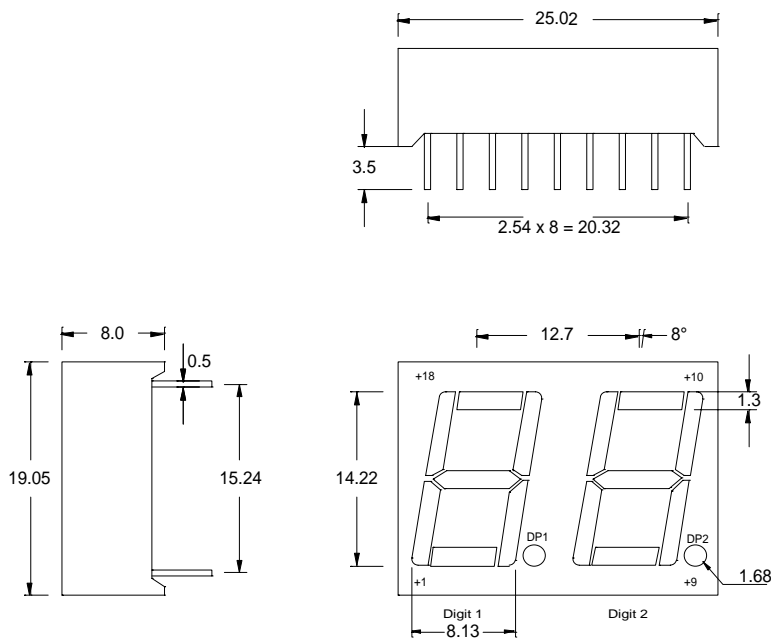
Absolute Maximum Ratings at T_A = 25°C

Power Dissipation per Segment.....	78mW
Reverse Voltage (<100 μA).....	5.0V
Max Forward Current.....	30mA
Peak Forward Current (1/10 Duty Cycle, 0.1ms Pulse Width).....	100mA
Operating Temperature Range.....	-25°C to +85°C
Storage Temperature Range.....	-40°C to +100°C
Soldering Temperature (1.6mm below body).....	260°C for 5 seconds

Electrical & Optical Characteristics at T_A = 25°C

Part Number		Emitting Color	Chip Material	Peak Wave Length	Dominant Wave Length	Forward Voltage @20mA (V)		Luminous Intensity @10mA (mcd)	
						Typ	Max	Min	Typ
Common Anode	Common Cathode			nm	nm				
PD38-CADO12	PD38-CCDO12	Orange-Red	GaAsP	635	626	2.1	2.6	3.0	6.0

All Dimensions are in **Millimeters**. Tolerance is ± 0.25mm unless otherwise specified. The Slope Angle of any Pin maybe ± 5° max.



Function of Pin

Com Anode Pin #	Com Cathode Pin #
1 Dig 1 Cathode E	1 Dig 1 Anode E
2 Dig 1 Cathode D	2 Dig 1 Anode D
3 Dig 1 Cathode C	3 Dig 1 Anode C
4 Dig 1 Cathode DP	4 Dig 1 Anode DP
5 Dig 2 Cathode E	5 Dig 2 Anode E
6 Dig 2 Cathode D	6 Dig 2 Anode D
7 Dig 2 Cathode G	7 Dig 2 Anode G
8 Dig 2 Cathode C	8 Dig 2 Anode C
9 Dig 2 Cathode DP	9 Dig 2 Anode DP
10 Dig 2 Cathode B	10 Dig 2 Anode B
11 Dig 2 Cathode A	11 Dig 2 Anode A
12 Dig 2 Cathode F	12 Dig 2 Anode F
13 Dig 2 Com Anode	13 Dig 2 Com Cath
14 Dig 1 Com Anode	14 Dig 1 Com Cath
15 Dig 1 Cathode B	15 Dig 1 Anode B
16 Dig 1 Cathode A	16 Dig 1 Anode A
17 Dig 1 Cathode G	17 Dig 1 Anode G
18 Dig 1 Cathode F	18 Dig 1 Anode F