



+3.3V, Low-Jitter, Precision Clock Generator with Multiple Outputs

MAX3627

General Description

The MAX3627 is a low-jitter, precision clock generator optimized for network applications. The device integrates a crystal oscillator and a phase-locked loop (PLL) to generate high-frequency clock outputs for Ethernet applications.

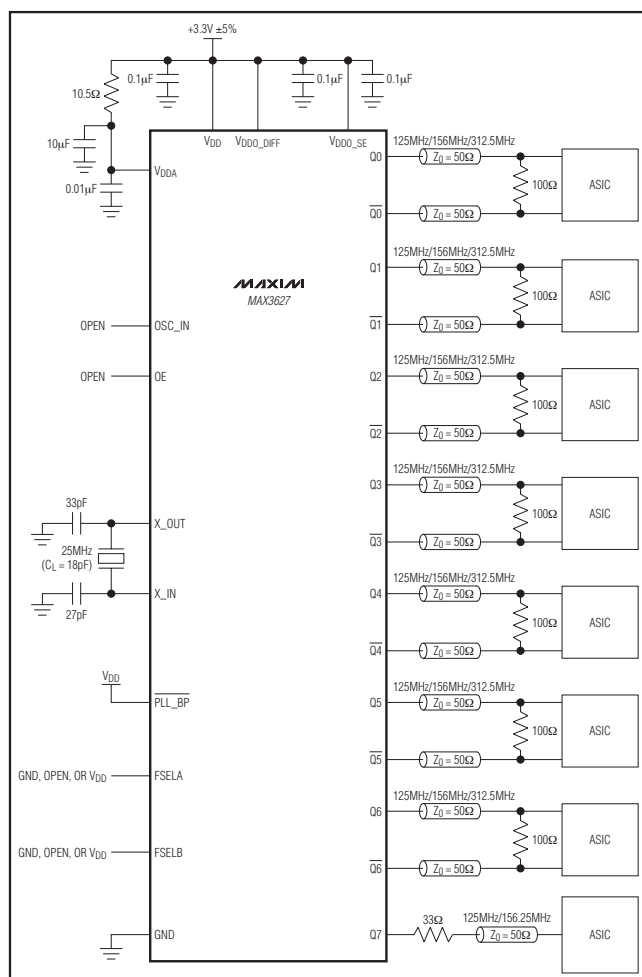
Maxim's proprietary PLL design features ultra-low jitter (0.4psRMS) and excellent power-supply noise rejection (PSNR), minimizing design risk for network equipment.

The MAX3627 contains seven LVDS outputs and one LVCMOS output. The output frequencies are selectable among 125MHz, 156.25MHz, and 312.5MHz.

Applications

Ethernet Networking Equipment

Typical Operating Circuit



Features

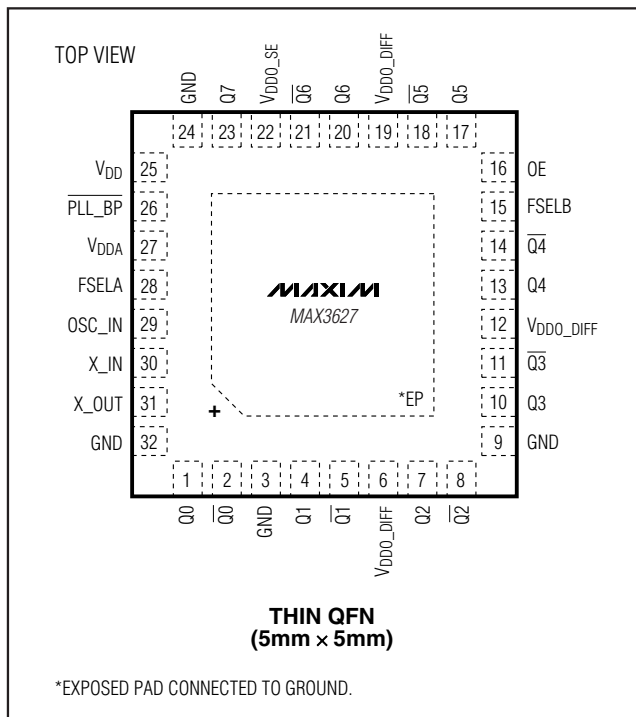
- ◆ Crystal Oscillator Interface: 25MHz
- ◆ OSC_IN Interface
 - PLL Enabled: 25MHz
 - PLL Disabled: 20MHz to 320MHz
- ◆ Outputs
 - One LVDS Output at 125MHz/156.25MHz/312.5MHz (Selectable with FSELA)
 - Six LVDS Outputs at 125MHz/156.25MHz/312.5MHz (Selectable with FSELB)
 - One LVCMOS Output at 125MHz/156.25MHz (Selectable with FSELB)
- ◆ Low Phase Jitter
 - 0.4psRMS (12kHz to 20MHz)
 - 0.2psRMS (1.875MHz to 20MHz)
- ◆ Excellent PSNR: -64dBc at 156.25MHz with 40mVp-p Supply Noise at 100kHz
- ◆ Operating Temperature Range: 0°C to +70°C

Ordering Information

| PART | TEMP RANGE | PIN-PACKAGE |
|-------------|--------------|-------------|
| MAX3627CTJ+ | 0°C to +70°C | 32 TQFN-EP* |

+ Denotes a lead(Pb)-free/RoHS-compliant package.
*EP = Exposed pad.

Pin Configuration



+3.3V, Low-Jitter, Precision Clock Generator with Multiple Outputs

ABSOLUTE MAXIMUM RATINGS

Supply Voltage Range at V_{DD}, V_{DDA},
V_{DDO_SE}, V_{DDO_DIFF} -0.3V to +4.0V
Voltage Range at Q0, Q0, Q1, Q1, Q2, Q2,
Q3, Q3, Q4, Q4, Q5, Q5, Q6, Q6, Q7,
PLL_BP, FSEL_A, FSEL_B, OE, OSC_IN ... -0.3V to (V_{DD} + 0.3V)
Voltage Range at X_IN -0.3V to +1.2V

Voltage Range at X_OUT -0.3V to (V_{DD} - 0.6V)
Continuous Power Dissipation (T_A = +70°C)
32-Pin TQFN-EP (derate 34.5mW/°C above +70°C) ..2759mW
Operating Junction Temperature Range -55°C to +150°C
Storage Temperature Range -65°C to +160°C

Stresses beyond those listed under "Absolute Maximum Ratings" may cause permanent damage to the device. These are stress ratings only, and functional operation of the device at these or any other conditions beyond those indicated in the operational sections of the specifications is not implied. Exposure to absolute maximum rating conditions for extended periods may affect device reliability.

ELECTRICAL CHARACTERISTICS

(V_{DD} = +3.0V to +3.6V, T_A = 0°C to +70°C, unless otherwise noted. Typical values are at V_{DD} = +3.3V, T_A = +25°C, unless otherwise noted. When using X_IN, X_OUT input, no signal is applied at OSC_IN. When PLL is enabled, PLL_BP = high-Z or high. When PLL is bypassed, PLL_BP = low.) (Note 1)

| PARAMETER | SYMBOL | CONDITIONS | MIN | TYP | MAX | UNITS |
|--|---------------------------------|-----------------------------------|-------|-----|-----------------|-------|
| Power-Supply Current (Note 2) | I _{DD} | PLL enabled | | 190 | 256 | mA |
| | | PLL bypassed | | 175 | | |
| LVDS OUTPUTS (Q0, Q0, Q1, Q1, Q2, Q2, Q3, Q3, Q4, Q4, Q5, Q5, Q6, Q6) | | | | | | |
| Output High Voltage | V _{OH} | | | | 1.475 | V |
| Output Low Voltage | V _{OL} | | 0.925 | | | V |
| Differential Output Voltage Amplitude | V _{ODI} | Figure 1 | 250 | | 400 | mV |
| Change in Magnitude of Differential Output for Complementary States | Δ V _{ODI} | | | | 25 | mV |
| Output Offset Voltage | V _{OS} | | 1.125 | | 1.275 | V |
| Change in Magnitude of Output Offset Voltage for Complementary States | Δ V _{OS} | | | | 25 | mV |
| Differential Output Impedance | | | 80 | 105 | 140 | Ω |
| Output Current | | Shorted together | | 5 | | mA |
| | | Short to ground (Note 3) | | 8 | | |
| Clock Output Rise/Fall Time | t _r , t _f | 20% to 80%, R _L = 100Ω | 100 | 200 | 330 | ps |
| Output Duty-Cycle Distortion | | PLL enabled | 48 | 50 | 52 | % |
| | | PLL bypassed (Note 4) | 46 | 50 | 54 | |
| LVC MOS/LVTTL OUTPUT (Q7) | | | | | | |
| Output Frequency | | | | | 160 | MHz |
| Output High Voltage | V _{OH} | I _{OH} = -12mA | 2.6 | | V _{DD} | V |
| Output Low Voltage | V _{OL} | I _{OL} = 12mA | | | 0.4 | V |
| Output Rise/Fall Time | t _r , t _f | 20% to 80% at 125MHz (Note 5) | 0.15 | 0.4 | 0.8 | ns |
| Output Duty-Cycle Distortion | | PLL enabled | 46 | 50 | 54 | % |
| | | PLL bypassed (Note 4) | 45 | 50 | 55 | |
| Output Impedance | R _{OUT} | | | 15 | | Ω |

+3.3V, Low-Jitter, Precision Clock Generator with Multiple Outputs

MAX3627

ELECTRICAL CHARACTERISTICS (continued)

($V_{DD} = +3.0V$ to $+3.6V$, $T_A = 0^\circ C$ to $+70^\circ C$, unless otherwise noted. Typical values are at $V_{DD} = +3.3V$, $T_A = +25^\circ C$, unless otherwise noted. When using X_IN, X_OUT input, no signal is applied at OSC_IN. When PLL is enabled, $\overline{PLL_BP} = \text{high-Z}$ or high. When PLL is bypassed, $\overline{PLL_BP} = \text{low}$.) (Note 1)

| PARAMETER | SYMBOL | CONDITIONS | MIN | TYP | MAX | UNITS |
|---|------------|--|-----|--------|----------|---------|
| INPUT SPECIFICATIONS (FSELA, FSELB, PLL_BP, OE) | | | | | | |
| Input-Voltage High | V_{IH} | | 2.0 | | V_{DD} | V |
| Input-Voltage Low | V_{IL} | | 0 | | 0.8 | V |
| Input High Current | I_{IH} | $V_{IN} = V_{DD}$ | | | 80 | μA |
| Input Low Current | I_{IL} | $V_{IN} = 0$ | -80 | | | μA |
| LVCOS/LVTTL INPUT SPECIFICATIONS (OSC_IN) (Note 6) | | | | | | |
| Input Clock Frequency | | PLL enabled | | 25 | | MHz |
| | | PLL bypassed | 20 | | 320 | |
| Input Amplitude Range | | (Note 7) | 1.2 | | 3.6 | V |
| Input High Current | I_{IH} | $V_{IN} = V_{DD}$ | | | 80 | μA |
| Input Low Current | I_{IL} | $V_{IN} = 0$ | -80 | | | μA |
| Reference Clock Duty Cycle | | | 40 | 50 | 60 | % |
| Input Capacitance | C_{IN} | | | 1.5 | | pF |
| CLOCK OUTPUT AC SPECIFICATIONS | | | | | | |
| VCO Center Frequency | | | | 625 | | MHz |
| Output Frequency with PLL Enabled (Q0) | | FSELA = GND | | 125 | | MHz |
| | | FSELA = V_{DD} | | 156.25 | | |
| | | FSELA = high-Z | | 312.5 | | |
| Output Frequency with PLL Enabled (Q1 to Q7) | | FSELB = GND | | 125 | | MHz |
| | | FSELB = V_{DD} | | 156.25 | | |
| | | FSELB = high-Z (Note 8) | | 312.5 | | |
| Output Frequency with PLL Disabled | | LVDS outputs | 20 | | 320 | MHz |
| | | LVCOS output | 20 | | 160 | |
| Integrated Phase Jitter | R_{JRMS} | 12kHz to 20MHz, $\overline{PLL_BP} = \text{high}$ (Note 9) | | 0.4 | 1.0 | psRMS |
| | | 12kHz to 20MHz, $\overline{PLL_BP} = \text{high-Z}$ (Note 10) | | 0.4 | | |
| Power-Supply Noise Rejection (Note 11) | PSNR | LVDS outputs | | -64 | | dBc |
| | | LVCOS output | | -49 | | |
| Deterministic Jitter Due to Supply Noise (Note 12) | | LVDS outputs | | 2.5 | | psp-P |
| | | LVCOS output | | 18 | | |
| Nonharmonic and Subharmonic Spurs | | (Note 13) | | -70 | | dBc |
| LVDS Clock Output SSB Phase Noise at 125MHz (Note 14) | | $f = 100\text{Hz}$ | | -115 | | dBc/Hz |
| | | $f = 1\text{kHz}$ | | -124 | | |
| | | $f = 10\text{kHz}$ | | -126 | | |
| | | $f = 100\text{kHz}$ | | -130 | | |
| | | $f = 1\text{MHz}$ | | -143 | | |
| | | $f > 10\text{MHz}$ | | -149 | | |

+3.3V, Low-Jitter, Precision Clock Generator with Multiple Outputs

ELECTRICAL CHARACTERISTICS (continued)

($V_{DD} = +3.0V$ to $+3.6V$, $T_A = 0^\circ C$ to $+70^\circ C$, unless otherwise noted. Typical values are at $V_{DD} = +3.3V$, $T_A = +25^\circ C$, unless otherwise noted. When using X_IN, X_OUT input, no signal is applied at OSC_IN. When PLL is enabled, $\overline{PLL_BP} = \text{high-Z}$ or high. When PLL is bypassed, $\overline{PLL_BP} = \text{low}$.) (Note 1)

| PARAMETER | SYMBOL | CONDITIONS | MIN | TYP | MAX | UNITS |
|---|--------|------------|-----|------|-----|--------|
| LVCMOS Clock Output SSB Phase Noise at 125MHz (Note 14) | | f = 100Hz | | -113 | | dBc/Hz |
| | | f = 1kHz | | -123 | | |
| | | f = 10kHz | | -126 | | |
| | | f = 100kHz | | -130 | | |
| | | f = 1MHz | | -144 | | |
| | | f > 10MHz | | -151 | | |

- Note 1:** A series resistor of up to 10.5Ω is allowed between V_{DD} and V_{DDA} for filtering supply noise when system power-supply tolerance is $V_{DD} = 3.3V \pm 5\%$. See Figure 4.
- Note 2:** All outputs unloaded.
- Note 3:** The current when an LVDS output is shorted to ground is the steady-state current after the detection circuitry has settled. It is expected that the LVDS output short to ground condition is short-term only.
- Note 4:** Measured with OSC_IN input with 50% duty cycle.
- Note 5:** Measured with a series resistor of 33Ω to a load capacitance of $3.0pF$. See Figure 2.
- Note 6:** The OSC_IN input can be DC- or AC-coupled.
- Note 7:** Must be within the absolute maximum rating of $V_{DD} + 0.3V$.
- Note 8:** AC characteristics of LVCMOS output (Q7) are only guaranteed up to 160MHz.
- Note 9:** Measured with 25MHz crystal (with OSC_IN left open).
- Note 10:** Measured with 25MHz reference clock applied to OSC_IN.
- Note 11:** Measured with $40mV_{P-P}$ sinusoidal signal on the supply at 100kHz. For LVDS the output frequency is 156.25MHz; for LVCMOS the output frequency is 125MHz. Measured with a 10.5Ω resistor between V_{DD} and V_{DDA} .
- Note 12:** Parameter calculated based on PSNR.
- Note 13:** Measurement includes XTAL oscillator feedthrough, crosstalk, intermodulation spurs, etc.
- Note 14:** Measured with 25MHz XTAL oscillator.

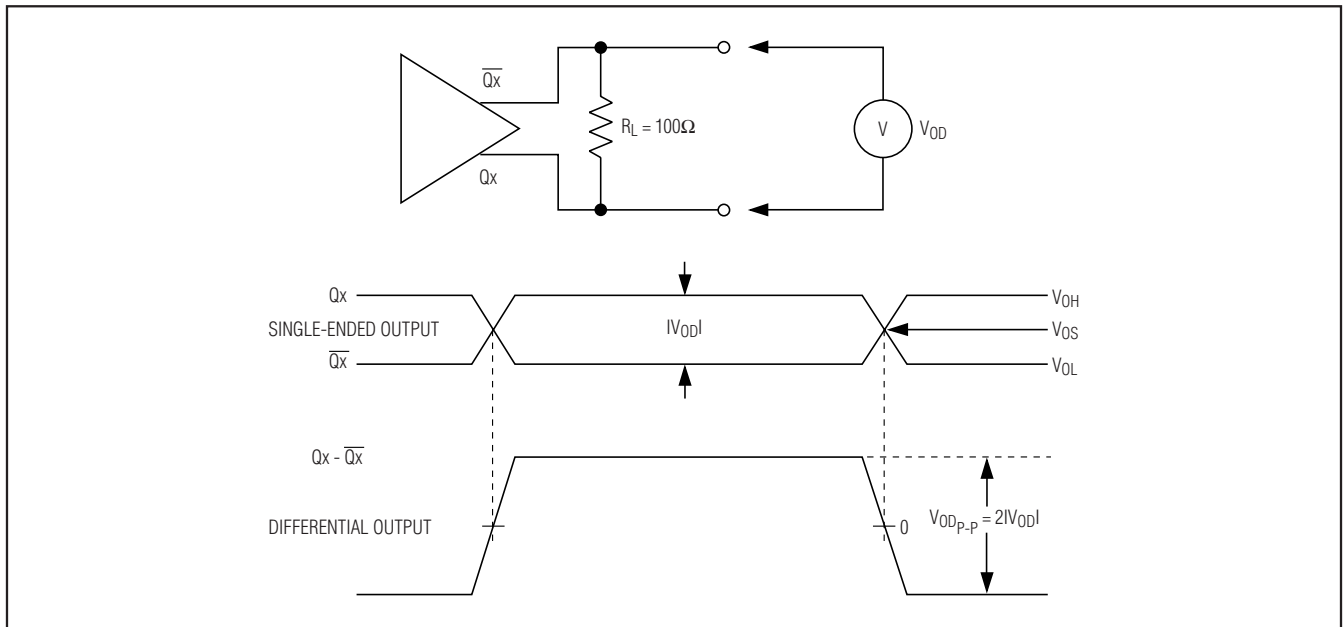


Figure 1. Driver Output Levels

+3.3V, Low-Jitter, Precision Clock Generator with Multiple Outputs

MAX3627

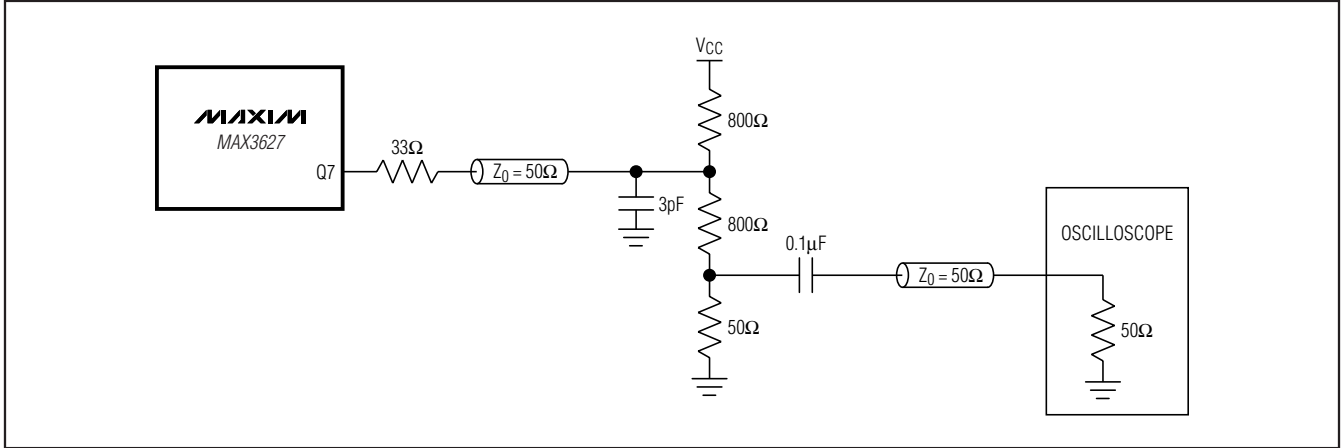
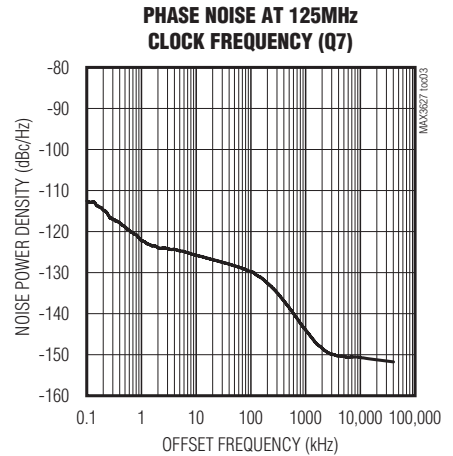
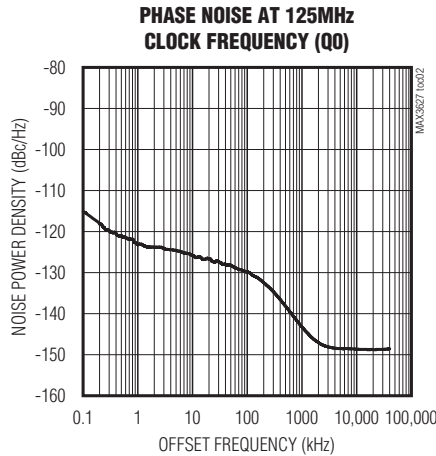
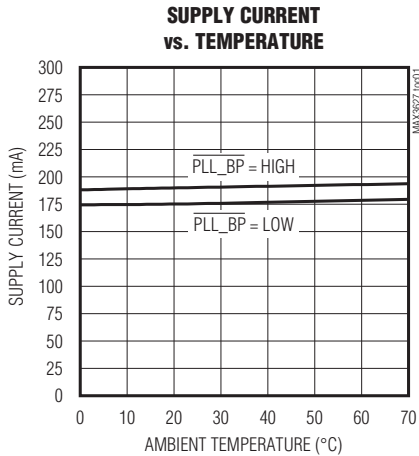


Figure 2. LVC MOS Output Measurement Setup

Typical Operating Characteristics

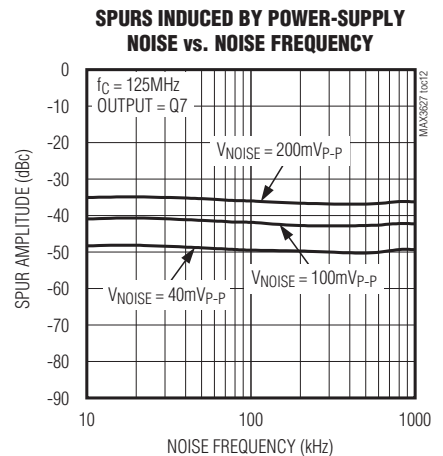
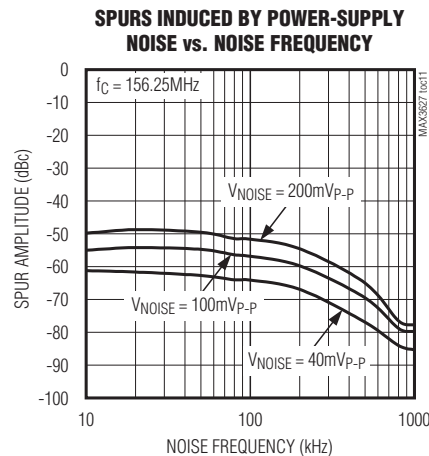
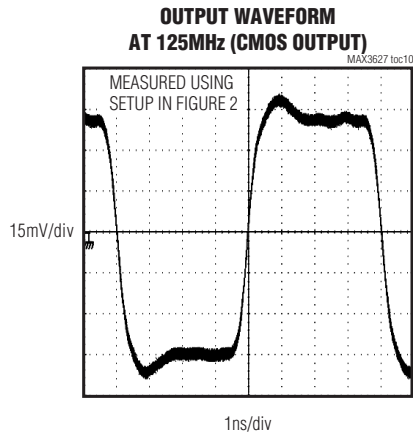
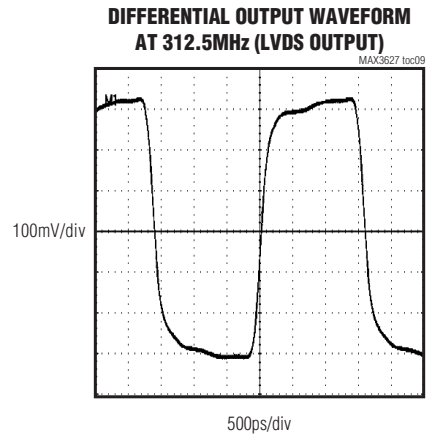
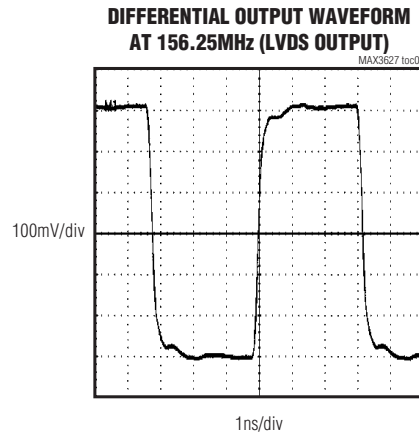
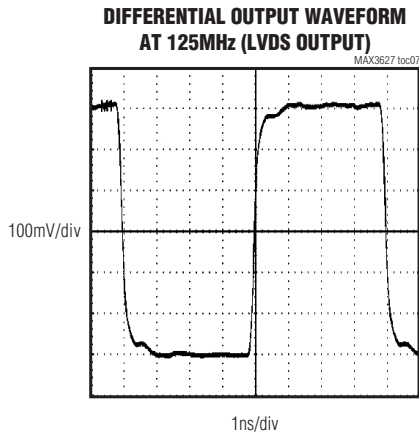
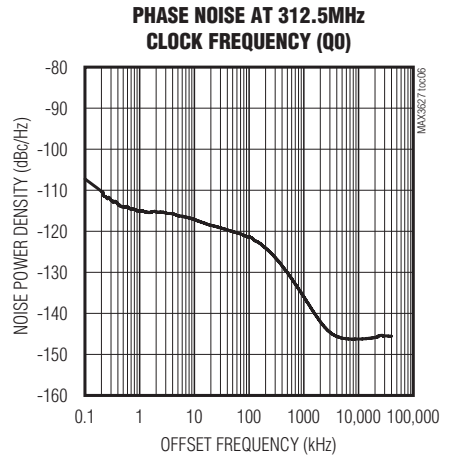
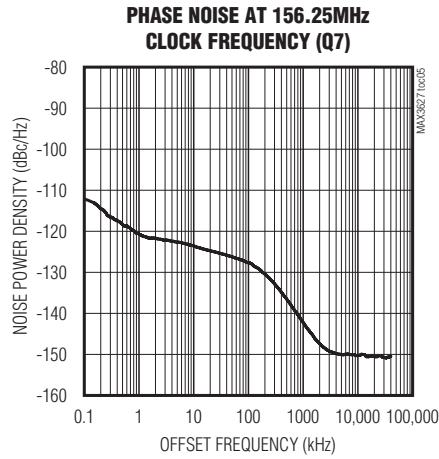
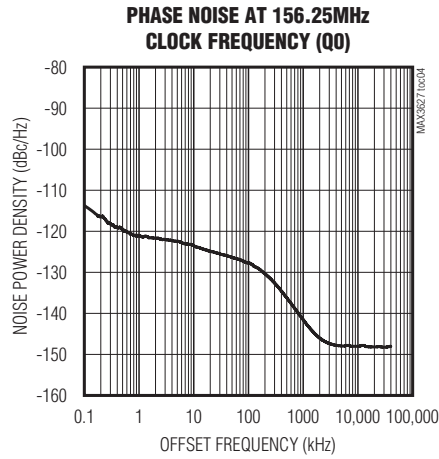
(Typical values are at $V_{DD} = +3.3V$, $T_A = +25^\circ C$, crystal frequency = 25MHz.)



+3.3V, Low-Jitter, Precision Clock Generator with Multiple Outputs

Typical Operating Characteristics (continued)

(Typical values are at $V_{DD} = +3.3V$, $T_A = +25^\circ C$, crystal frequency = 25MHz.)



+3.3V, Low-Jitter, Precision Clock Generator with Multiple Outputs

Pin Description

MAX3627

| PIN | NAME | FUNCTION |
|--------------|----------------------|--|
| 1 | Q0 | LVDS, Noninverting Clock Output |
| 2 | $\overline{Q0}$ | LVDS, Inverting Clock Output |
| 3, 9, 24, 32 | GND | Supply Ground |
| 4 | Q1 | LVDS, Noninverting Clock Output |
| 5 | $\overline{Q1}$ | LVDS, Inverting Clock Output |
| 6, 12, 19 | VDDO_DIFF | Power Supply for Q0, Q1, Q2, Q3, Q4, Q5, and Q6 Clock Outputs. Connect to +3.3V. |
| 7 | Q2 | LVDS, Noninverting Clock Output |
| 8 | $\overline{Q2}$ | LVDS, Inverting Clock Output |
| 10 | Q3 | LVDS, Noninverting Clock Output |
| 11 | $\overline{Q3}$ | LVDS, Inverting Clock Output |
| 13 | Q4 | LVDS, Noninverting Clock Output |
| 14 | $\overline{Q4}$ | LVDS, Inverting Clock Output |
| 15 | FSELB | Three-State LVCMOS/LVTTL Input. Controls the Q1 to Q7 output divider. When connected to logic-low, the output frequency is 125MHz. When connected to logic-high, the output frequency is 156.25MHz. When left open (high-Z), the output frequency is 312.5MHz. For the Q7 LVCMOS output, the output specification is only valid up to 160MHz. |
| 16 | OE | LVCMOS/LVTTL Input. Enable/disable control for the Q4, Q5, and Q6 outputs. The OE pin has an internal 75k Ω pullup resistor. When OE is connected to V _{DD} or left open, Q4, Q5, and Q6 are enabled. When OE is connected to GND, Q4, Q5, and Q6 are disabled to reduce power consumption. When disabled, Q4, Q5, and Q6 are high impedance. |
| 17 | Q5 | LVDS, Noninverting Clock Output |
| 18 | $\overline{Q5}$ | LVDS, Inverting Clock Output |
| 20 | Q6 | LVDS, Noninverting Clock Output |
| 21 | $\overline{Q6}$ | LVDS, Inverting Clock Output |
| 22 | VDDO_SE | Power Supply for Q7 Clock Output. Connect to +3.3V. |
| 23 | Q7 | LVCMOS Clock Output |
| 25 | VDD | Core Power Supply. Connect to +3.3V. |
| 26 | $\overline{PLL_BP}$ | Three-State LVCMOS/LVTTL Input (Active Low). When connected to logic-high, the PLL locks to the crystal interface (25MHz typical at X_IN and X_OUT). When left open (high-Z), the PLL locks to the OSC_IN input (25MHz typical). When connected to logic-low, the PLL is bypassed and the OSC_IN input is selected. When bypass mode is selected, the VCO/PLL is disabled to save power and eliminate intermodulation spurs. |
| 27 | VDDA | Analog Power Supply for the VCO. Connect to +3.3V. For additional power-supply noise filtering, this pin can be connected to V _{DD} through a 10.5 Ω resistor as shown in Figure 4. |
| 28 | FSELA | Three-State LVCMOS/LVTTL Input. Controls the Q0 output divider. When connected to logic-low, the output frequency is 125MHz. When connected to logic-high, the output frequency is 156.25MHz. When left open (high-Z), the output frequency is 312.5MHz. |
| 29 | OSC_IN | LVCMOS Input. Self-biased to allow AC- or DC-coupling. When $\overline{PLL_BP}$ is open, the OSC_IN input frequency should be 25MHz. When the PLL is in bypass mode ($\overline{PLL_BP}$ = low), the OSC_IN input frequency can be between 20MHz and 320MHz. When $\overline{PLL_BP}$ is high, the OSC_IN should be disconnected. |
| 30 | X_IN | Crystal Oscillator Input |
| 31 | X_OUT | Crystal Oscillator Output |
| — | EP | Exposed Pad. Connect to GND for proper electrical and thermal performance. |

+3.3V, Low-Jitter, Precision Clock Generator with Multiple Outputs

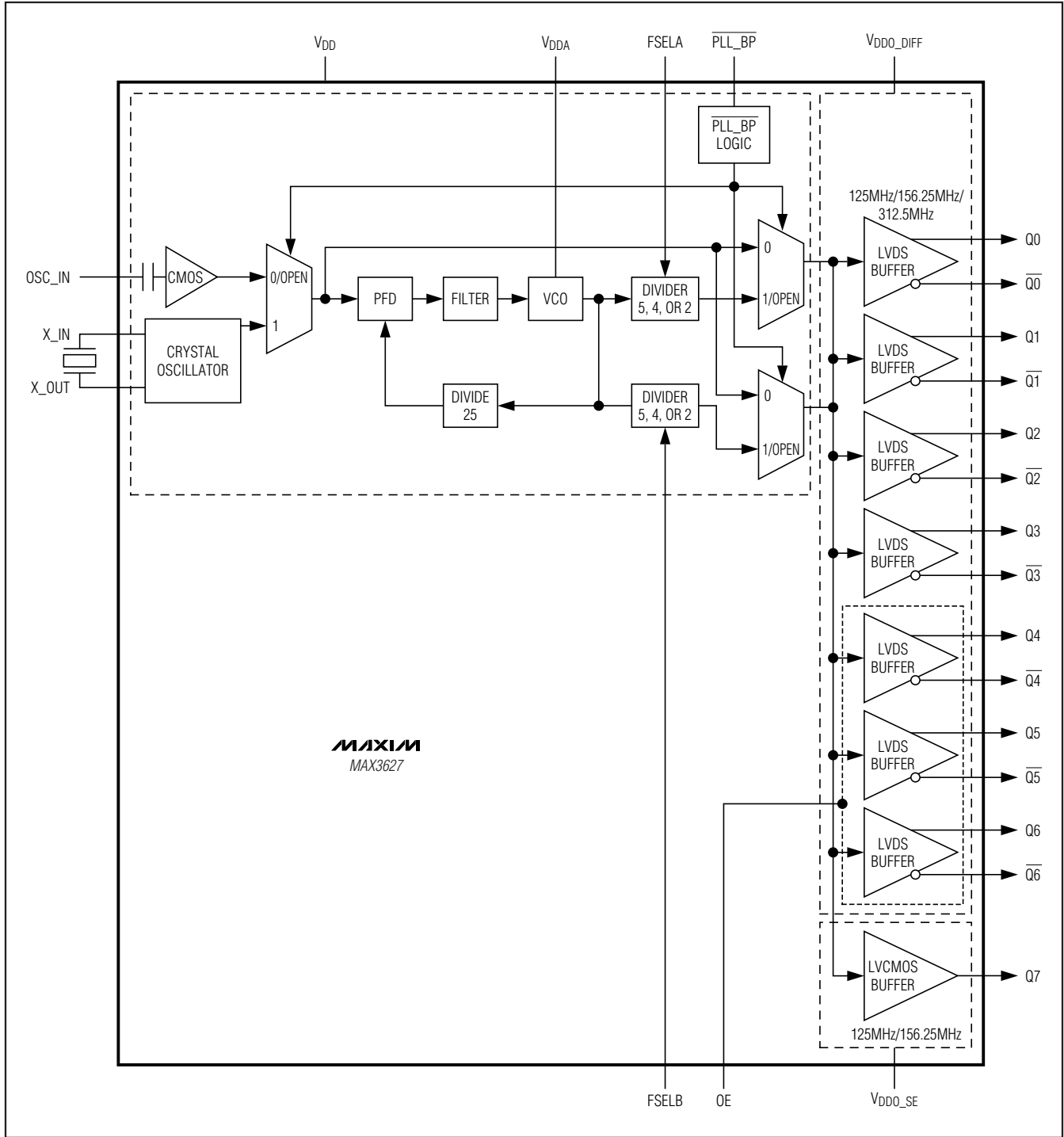


Figure 3. Functional Diagram

+3.3V, Low-Jitter, Precision Clock Generator with Multiple Outputs

Detailed Description

The MAX3627 is a frequency generator designed to operate at Ethernet frequencies. It consists of an on-chip crystal oscillator, PLL, LVCMOS output buffer, and LVDS output buffers. Using a low-frequency clock (crystal or CMOS input) as a reference, the internal PLL generates a high-frequency output clock with excellent jitter performance. The outputs can be switched among 125MHz, 156.25MHz, and 312.5MHz.

Crystal Oscillator

An integrated oscillator provides the low-frequency reference clock for the PLL. This oscillator requires an external crystal connected between X_IN and X_OUT. The crystal frequency is 25MHz. See the *Applications Information* section for more information.

OSC_IN Buffer

The LVCMOS OSC_IN buffer is internally biased to allow AC- or DC-coupling. This input is internally AC-coupled, and is designed to operate at 25MHz when the PLL is enabled (PLL_BP is left open). When the PLL is bypassed (PLL_BP is set low), the OSC_IN buffer can be operated from 20MHz to 320MHz.

PLL

The PLL takes the signal from the crystal oscillator or reference clock input and synthesizes a low-jitter, high-frequency clock. The PLL contains a phase-frequency detector (PFD), a lowpass filter, and a voltage-controlled oscillator (VCO) that operates at 625MHz. The PLL bandwidth is tuned to 150kHz typical to optimize both phase noise and power-supply noise rejection (PSNR). The VCO output is connected to the PFD input through a feedback divider that divides the VCO frequency by 25 to lock onto the 25MHz reference clock or oscillator. For output Q0, the FSELA pin is used to select among 125MHz, 156.25MHz, and 312.5MHz. For outputs Q1 to Q6, the FSELB pin is used to select among 125MHz, 156.25MHz, and 312.5MHz. For the Q7 output, the FSELB pin is used to select between 125MHz and 156.25MHz. To minimize the jitter induced by power-supply noise, the VCO supply (VDDA) is isolated from the core logic and output buffer supplies.

LVDS Drivers

The high-frequency outputs—Q0, Q1, Q2, Q3, Q4, Q5, and Q6—are differential LVDS buffers designed to drive 100Ω.

LVCMOS Driver

LVCMOS output Q7 is provided on the MAX3627. It is designed to drive single-ended high-impedance loads. The output specifications are only valid up to 160MHz.

Applications Information

Power-Supply Filtering

The MAX3627 is a mixed analog/digital IC. The PLL contains analog circuitry susceptible to random noise. To take full advantage of on-board filtering and noise attenuation, in addition to excellent on-chip power-supply rejection, this part provides a separate power-supply pin, VDDA, for the VCO circuitry. The purpose of this design technique is to ensure clean input power supply to the VCO circuitry and to improve the overall immunity to power-supply noise. Figure 4 illustrates the recommended power-supply filter network for VDDA. This network requires that the power supply is +3.3V ±5%. Decoupling capacitors should be used on all other supply pins and placed as close as possible to the pins for best performance.

Crystal Input Layout and Frequency Stability

The MAX3627 features an integrated on-chip crystal oscillator to minimize system implementation cost. The integrated crystal oscillator is a Pierce-type that uses the crystal in its parallel resonance mode. It is recommended to use a 25MHz crystal with a load specification of $C_L = 18\text{pF}$. See Table 1 for the recommended crystal specifications.

The crystal, trace, and two external capacitors should be placed on the board as close as possible to the X_IN and X_OUT pins to minimize the board parasitic capacitance and prevent active signals from coupling into the oscillator.

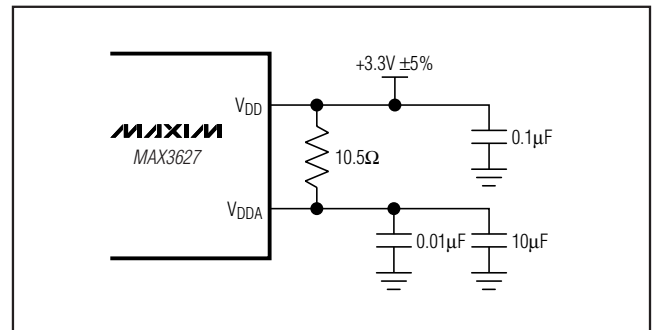


Figure 4. Analog Supply Filtering

+3.3V, Low-Jitter, Precision Clock Generator with Multiple Outputs

Table 1. Crystal Selection Parameters

| PARAMETER | SYMBOL | MIN | TYP | MAX | UNITS |
|------------------------------------|-----------|-----|-----|-----|----------|
| Crystal Oscillation Frequency | f_{osc} | | 25 | | MHz |
| Shunt Capacitance | C_0 | | | 7.0 | pF |
| Load Capacitance | C_L | | 18 | | pF |
| Equivalent Series Resistance (ESR) | R_s | | | 50 | Ω |
| Maximum Crystal Drive Level | | | | 300 | μW |

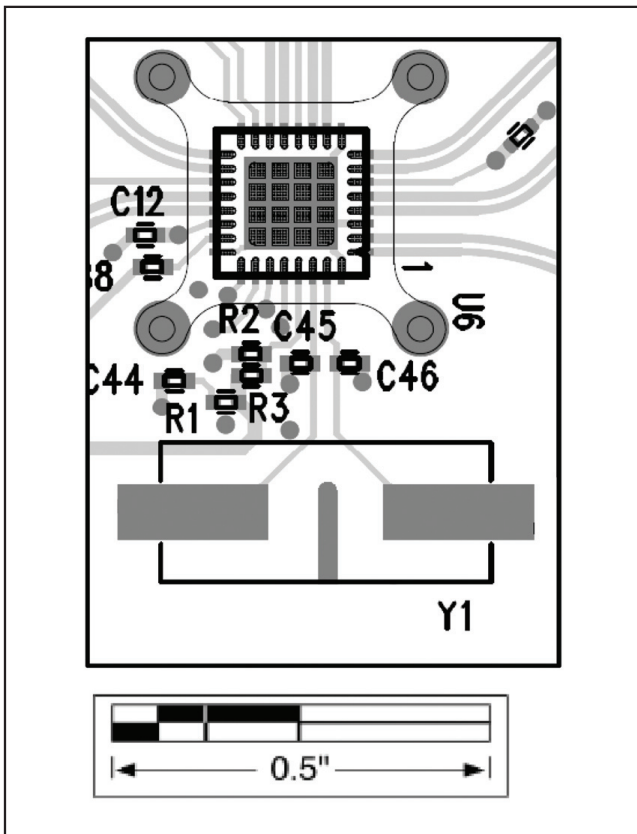


Figure 5. Crystal Layout

The layout shown in Figure 5 gives approximately 2pF of trace plus footprint capacitance per side of the crystal (Y1). The dielectric material is FR4, and dielectric thickness of the reference board is 15 mils. Using a 25MHz crystal and the capacitor values of C45 = 27pF and C46 = 33pF, the measured output frequency accuracy is -1ppm at +25°C ambient temperature.

Crystal Selection

The crystal oscillator is designed to drive a fundamental mode, AT-cut crystal resonator. See Table 1 for recommended crystal specifications. See Figure 6 for external capacitance connection.

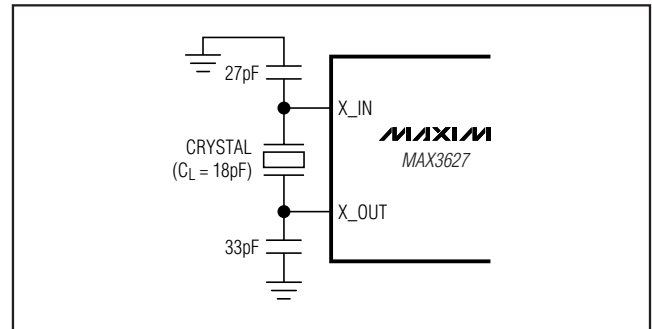


Figure 6. Crystal, Capacitors Connection

+3.3V, Low-Jitter, Precision Clock Generator with Multiple Outputs

Interface Models

Figures 7, 8, and 9 show examples of interface models.

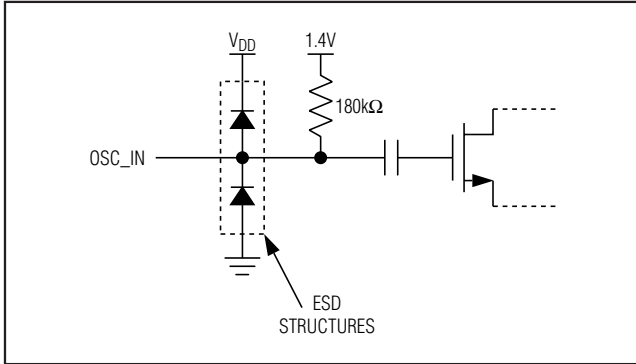


Figure 7. Simplified OSC_IN Pin Circuit Schematic

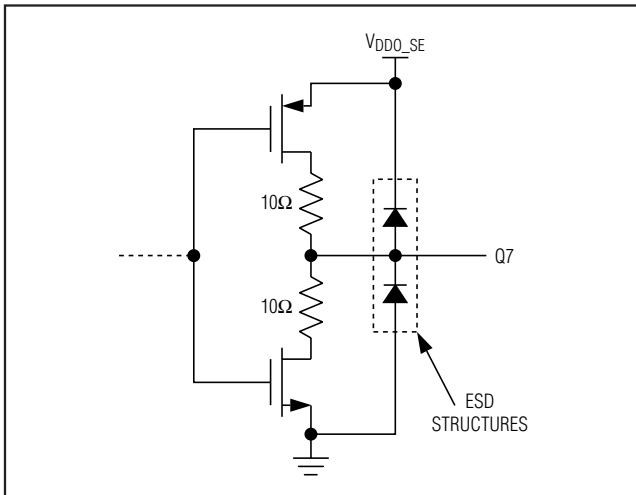


Figure 8. Simplified LVCMOS Output Circuit Schematic

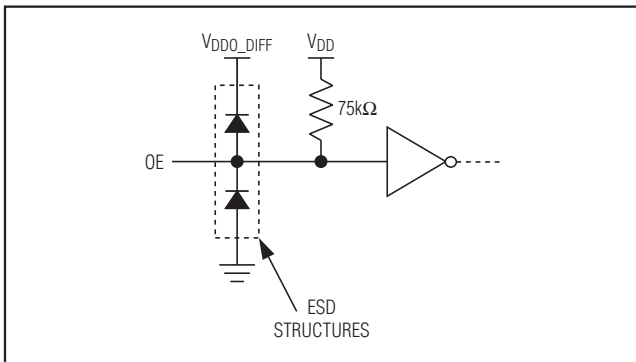


Figure 9. Simplified OE Pin Circuit Schematic

Layout Considerations

The inputs and outputs are the most critical paths for the MAX3627 and great care should be taken to minimize discontinuities on these transmission lines between the connector and the IC. Here are some suggestions for maximizing the performance of the MAX3627:

- An uninterrupted ground plane should be positioned beneath the clock outputs. The ground plane under the crystal should be removed to minimize capacitance.
- Ground pin vias should be placed close to the IC and the input/output interfaces to allow a return current path to the MAX3627 and the receive devices.
- Supply decoupling capacitors should be placed close to the supply pins, preferably on the same layer as the MAX3627.
- Take care to isolate crystal input traces from the MAX3627 outputs.
- The crystal, trace, and two external capacitors should be placed on the board as close as possible to the X_IN and X_OUT pins.
- Maintain 100Ω differential (or 50Ω single-ended) transmission line impedance into and out of the part.
- Use good high-frequency layout techniques and multilayer boards with an uninterrupted ground plane to minimize EMI and crosstalk.

Refer to the MAX3627 evaluation kit for more information.

Exposed-Pad Package

The exposed pad on the 32-pin TQFN package provides a very low inductance path for return current traveling to the PCB ground plane. The pad is thermal and electrical ground on the MAX3627 and must be soldered to the circuit board ground for proper electrical performance.

Chip Information

PROCESS: BiCMOS

Package Information

For the latest package outline information and land patterns, go to www.maxim-ic.com/packages.

| PACKAGE TYPE | PACKAGE CODE | DOCUMENT NO. |
|--------------|--------------|-------------------------|
| 32 TQFN-EP | T3255+5 | 21-0140 |

Maxim cannot assume responsibility for use of any circuitry other than circuitry entirely embodied in a Maxim product. No circuit patent licenses are implied. Maxim reserves the right to change the circuitry and specifications without notice at any time.

Maxim Integrated Products, 120 San Gabriel Drive, Sunnyvale, CA 94086 408-737-7600 _____ 11