

Voltage Variable Absorptive Attenuator, 800 - 1000 MHz

Rev. V2

Features

- Input IP3: +35 dBm Min. (Full Attenuation Range)
- Input IP3 is **15 -20 dB** Better Than GaAs
- Linear Operation: +20 dBm Typ.
- 38 dB Dynamic Range (With 30 mA Bias Current)
- Single Control Voltage
- 50 ohm Impedance
- Linear Driver, MADR-007098-000100, Available
- Test Boards are Available
- Tape and Reel Packaging Available
- Lead-Free SOW-16 Package
- 100% Matte Tin Plating over Copper
- Halogen-Free "Green" Mold Compound
- 260°C Reflow Compatible
- RoHS* Compliant Version of AT10-0009

Description

M/A-COM's MAAV-007089-000100 is a PIN diode based voltage variable attenuator. This device is in a SOW-16, wide body plastic surface mount package. These attenuators have linear operating power and input intercept point levels 15 - 20 dB better than GaAs FET MMIC voltage variable attenuators. They are ideally suited for use where low distortion, high linear operating power and high dynamic range are required. These devices are optimized for the GSM frequency band, but exhibit excellent performance and repeatability over the entire specified frequency band. The MAAV-007089-000100 is ideally suited for wireless communications systems.

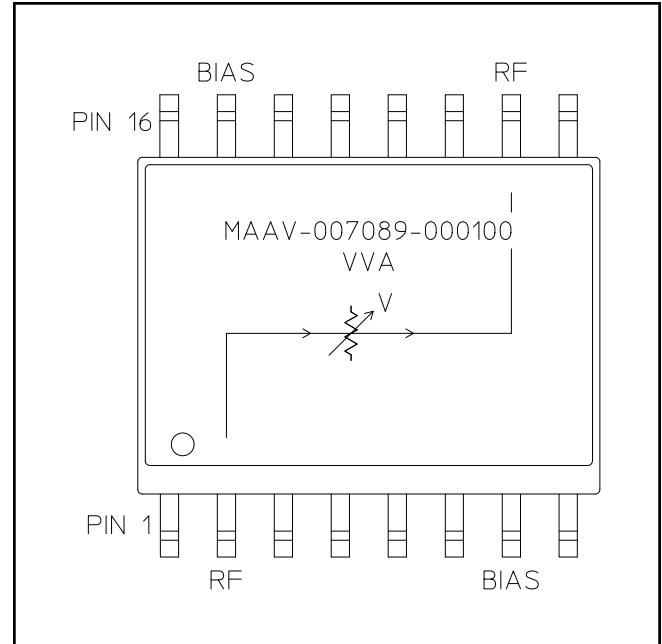
Ordering Information

Part Number	Package
MAAV-007089-000100	Bulk Packaging
MAAV-007089-0001TR	1000 piece reel
MAAV-007089-0001TB	Sample Test Board
MAAV-007089-DR01TB	Unit with Driver on Test Board

Note: Reference Application Note M513 for reel size information.

* Restrictions on Hazardous Substances, European Union Directive 2002/95/EC.

Functional Schematic



Pin Configuration

Pin No.	Function	Pin No.	Function
1	GND	9	GND
2	RF	10	RF
3	GND	11	GND
4	GND	12	GND
5	GND	13	GND
6	GND	14	GND
7	Bias ¹	15	Bias ¹
8	GND	16	GND

1. Bias currents may be applied to pin 7 or 15. The unused pin should be isolated.

ADVANCED: Data Sheets contain information regarding a product M/A-COM Technology Solutions is considering for development. Performance is based on target specifications, simulated results, and/or prototype measurements. Commitment to develop is not guaranteed.
PRELIMINARY: Data Sheets contain information regarding a product M/A-COM Technology Solutions has under development. Performance is based on engineering tests. Specifications are typical. Mechanical outline has been fixed. Engineering samples and/or test data may be available. Commitment to produce in volume is not guaranteed.

• **North America** Tel: 800.366.2266 / Fax: 978.366.2266
 • **Europe** Tel: 44.1908.574.200 / Fax: 44.1908.574.300
 • **Asia/Pacific** Tel: 81.44.844.8296 / Fax: 81.44.844.8298
 Visit www.macomtech.com for additional data sheets and product information.

M/A-COM Technology Solutions Inc. and its affiliates reserve the right to make changes to the product(s) or information contained herein without notice.

Voltage Variable Absorptive Attenuator, 800 - 1000 MHz

Rev. V2

Electrical Specifications: $T_A = 25^\circ\text{C}$, $Z_0 = 50\Omega$

Parameter	Test Conditions	Frequency	Units	Min	Typ	Max
Insertion Loss	0 volts	800-1000 MHz	dB	—	3.5	4.2
		925 - 960 MHz	dB	—	3.3	3.9
Attenuation (Above Loss)	12 mA bias current	800-1000 MHz	dB	30	-	—
		925 - 960 MHz	dB	33	38	—
Attenuation Flatness	0 to 30 dB attenuation	800-1000 MHz	dB	—	1.5	2.5
		925 - 960 MHz	dB	—	0.4	0.8
VSWR	0 to 30 dB attenuation	800-1000 MHz	Ratio	—	1.6:1	2.0:1
		925 - 960 MHz	Ratio	—	1.4:1	1.7:1
Switching Speed	50% Control to 90%/10% RF	800-1000 MHz	μs	—	—	10.0
Linear Operation	—	800-1000 MHz	dBm	—	+20	—
Input IP_3	Two-tone inputs up to +10 dBm	800-1000 MHz	dBm	+35	+40	—
I_{Control}	—	800-1000 MHz	mA	—	—	30

Absolute Maximum Ratings ^{2,3}

Parameter	Absolute Maximum
Max. Input Power	+27 dBm
Operating Temperature	-40°C to +85°C
Storage Temperature	-65°C to +125°C

- Exceeding any one or combination of these limits may cause permanent damage to this device.
- M/A-COM does not recommend sustained operation near these survivability limits.

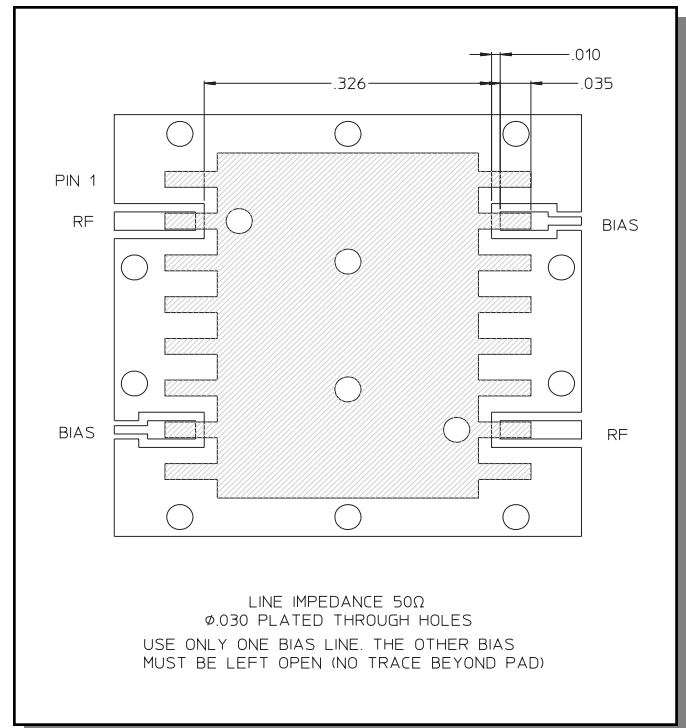
Handling Procedures

Please observe the following precautions to avoid damage:

Static Sensitivity

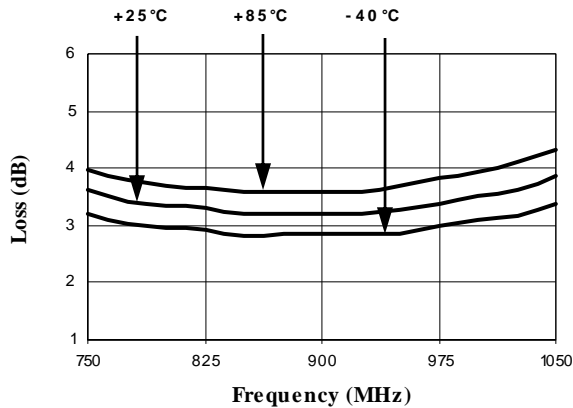
Gallium Arsenide Integrated Circuits are sensitive to electrostatic discharge (ESD) and can be damaged by static electricity. Proper ESD control techniques should be used when handling these devices.

Recommended PCB Configuration

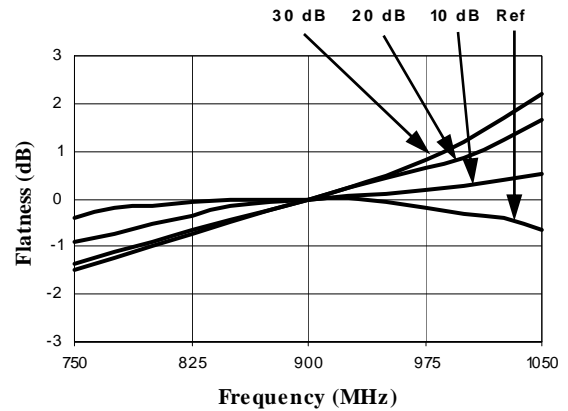


Typical Performance Curves

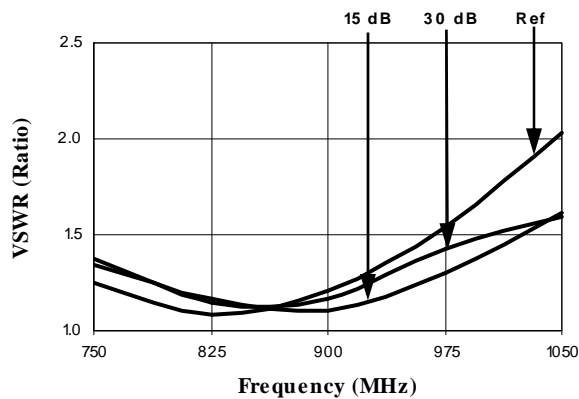
Insertion Loss



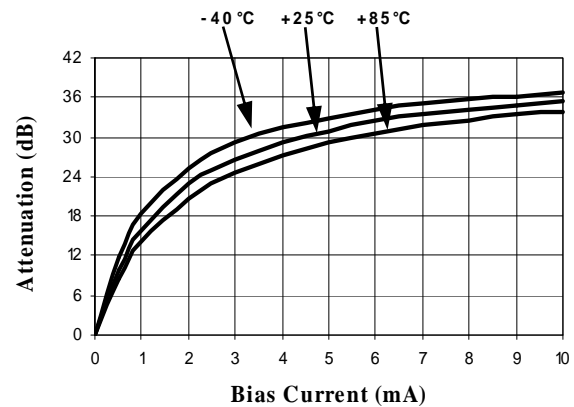
Attenuation Flatness (dB) @ +25°C



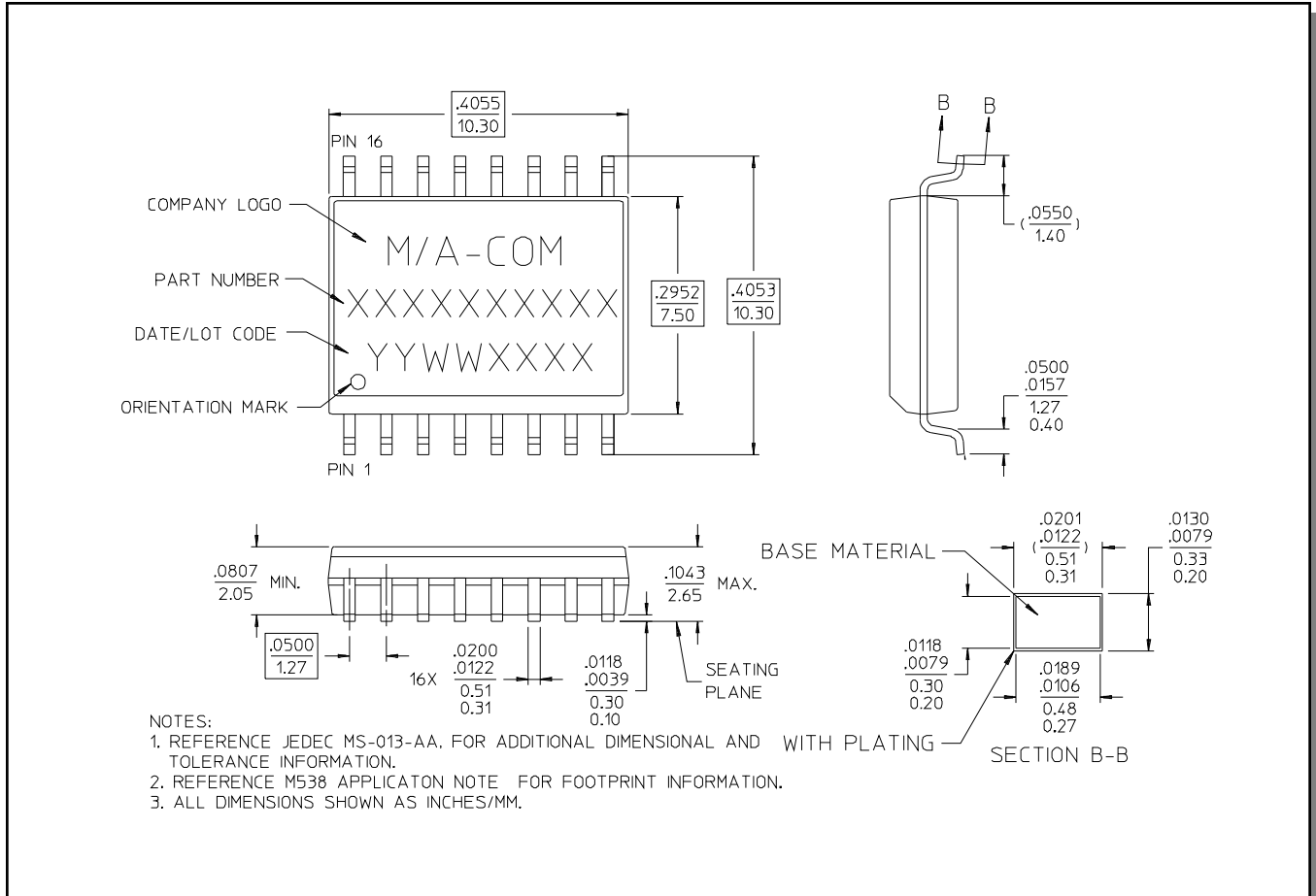
Typical VSWR @ +25°C



Attenuation vs. Bias Current
Frequency = 1000 MHz



Lead-Free, SOW-16[†]



[†] Reference Application Note M538 for lead-free solder reflow recommendations.