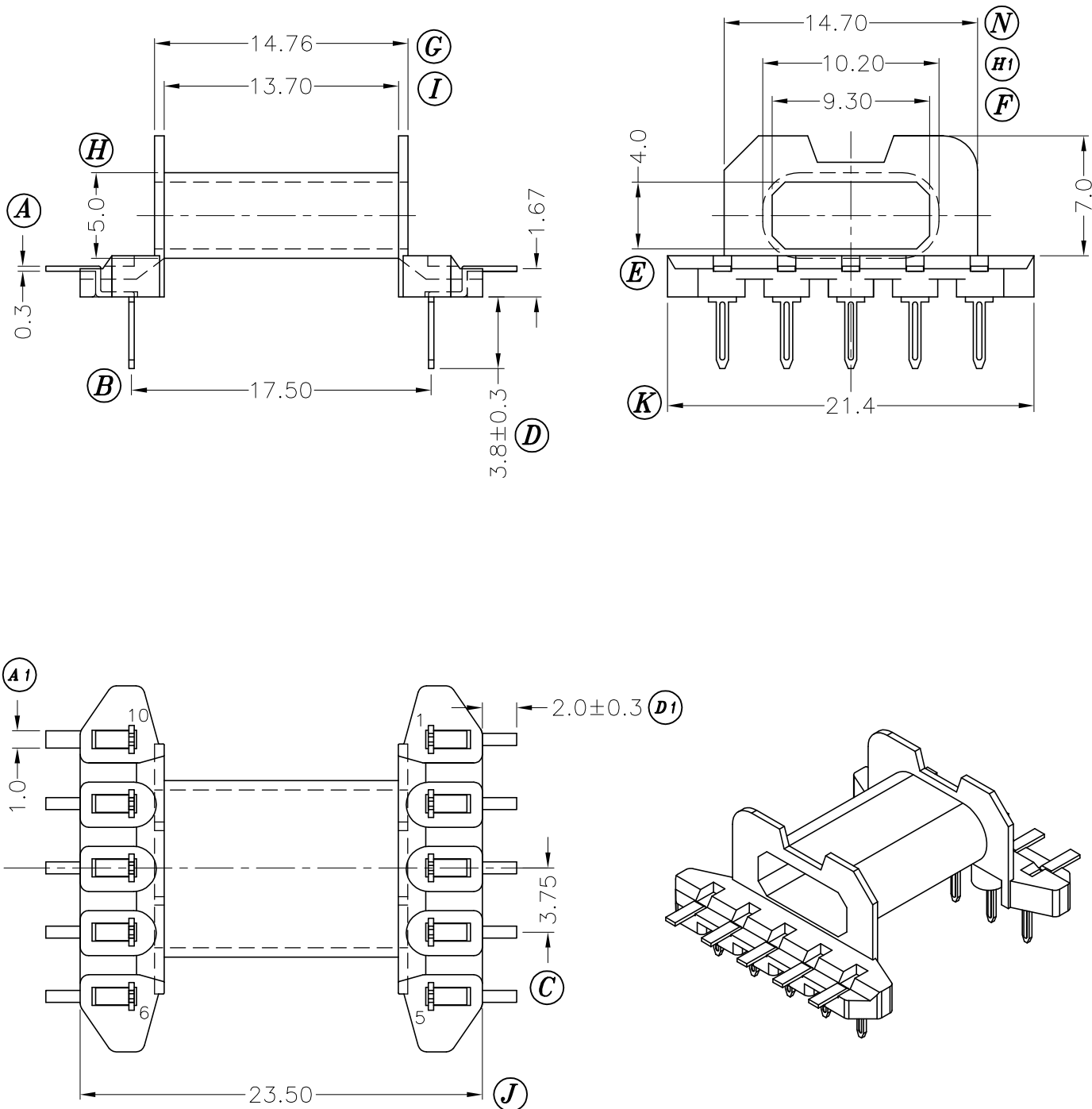


**FERYSTER Inductive Components**

ul. Traugutta 4 , 68-120 Iłowa Poland

http://www.feryster.com.pl e-mail: info@feryster.com.pl



<b>DOSTAWCA:</b>	TOLERANCES		ANGLE: $\pm 1^\circ$	TITLE: <b>EFD20-K-H-10P</b>	
	0<L≤4 ±0.1	pin pitch	UNIT: MM	BOBBIN MATERIAL: LCP E4008	UL REC. UL 94V-0
<b>FERYSTER Inductive Components</b> Tel: +48 68 360 00 76 fax: +48 68 360 00 70	4<L≤16 ±0.2	±0.2	ORIGIN: DG	PIN MATERIAL: PHOSPHOR BRONZE	PIN TENSION LOAD: 1.5KG MIN.
	16<L≤63 ±0.3	±0.2		DATE: APR.07 '2003	DRAWING NO. P-2023
				REV. 1	