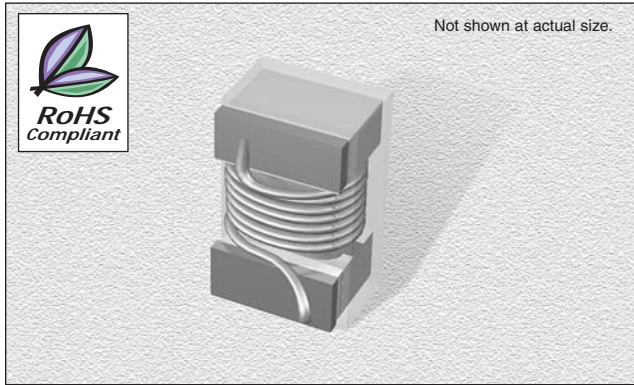


CT1008HQF Series

From 3.0 μH to 100 μH



CHARACTERISTICS

Description: SMD wire-wound chip inductor (High Q)

Applications: LC resonant circuits such as oscillator and signal generators, impedance matching, circuit isolation, RF filters, disk drives and computer peripherals, audio and video equipment, TV, radio and telecommunication equipment

Operating Temperature: -40°C to +125°C

Inductance Tolerance: $\pm 2\%$, $\pm 5\%$, $\pm 10\%$

Testing: Inductance and Q tested on an HP4287A at specified frequency.

Packaging: Tape & Reel

Miscellaneous: RoHS Compliant.

Marking: Color dot

Additional Information: Additional electrical & physical information available upon request

Samples available. See website for ordering information.

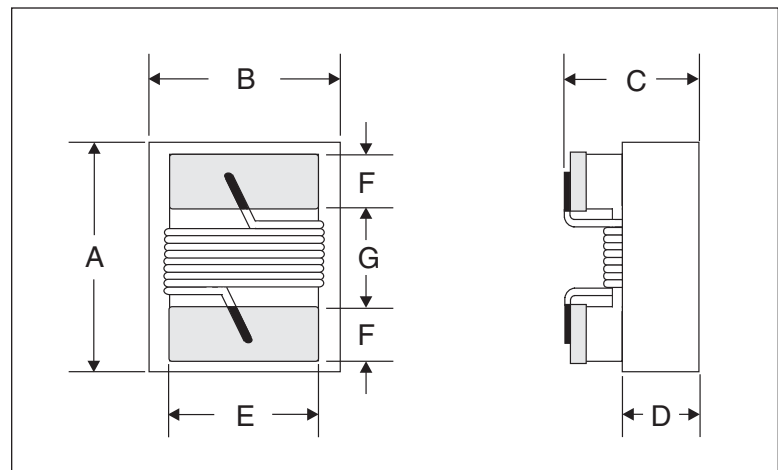
SPECIFICATIONS

Please specify tolerance code when ordering.
 CT1008HQF-3N0_ ← G = $\pm 2\%$, J = $\pm 5\%$, K = $\pm 10\%$
 * J or K only

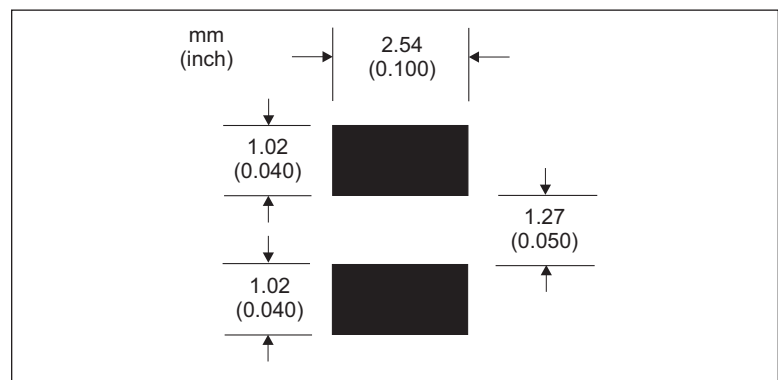
Part Number	Inductance (nH)	L Test Freq. (MHz)	Q Fact. Min.	Q Test Freq. (MHz)	SRF Typ. (MHz)	DCR Max. (Ω)	IDC Max. (mA)
CT1008HQF-3N0_*	3.0	50	70	1500	6000	0.04	1600
CT1008HQF-4N1_*	4.1	50	75	1500	6000	0.05	1600
CT1008HQF-7N8_*	7.8	50	75	500	3800	0.05	1600
CT1008HQF-10N_	10	50	60	500	3600	0.06	1600
CT1008HQF-12N_	12	50	70	500	2800	0.06	1500
CT1008HQF-18N_	18	50	62	350	2700	0.07	1400
CT1008HQF-22N_	22	50	62	350	2050	0.07	1400
CT1008HQF-33N_	33	50	75	350	1700	0.09	1300
CT1008HQF-39N_	39	50	75	350	1300	0.09	1300
CT1008HQF-47N_	47	50	75	350	1450	0.12	1200
CT1008HQF-56N_	56	50	75	350	1230	0.12	1200
CT1008HQF-68N_	68	50	80	350	1150	0.13	1100
CT1008HQF-82N_	82	50	80	350	1060	0.16	1100
CT1008HQF-R10_	100	50	52	350	820	0.16	1000

PHYSICAL DIMENSIONS

Size	A Max.	B Max.	C Max.	D Ref.	E	F	G
mm	2.92	2.79	2.03	0.65	2.03	0.51	1.52
inches	0.115	0.110	0.080	0.026	0.080	0.020	0.060



PAD LAYOUT



10.16.06