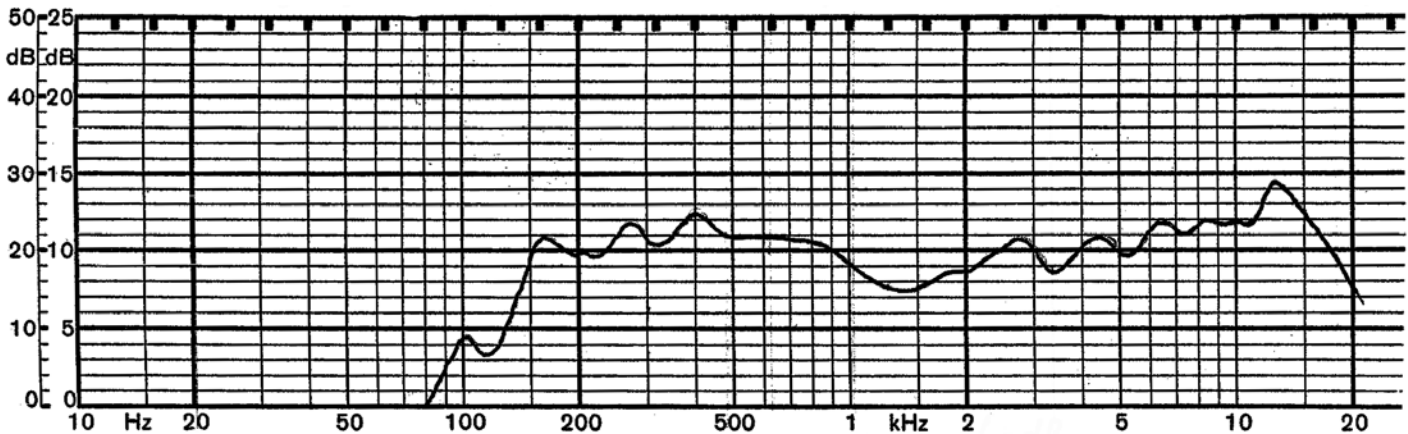



**Specifications**

|                      |                                      |  |
|----------------------|--------------------------------------|--|
| Nominal Size         | 36 x 36 x 14.5 mm                    | (See attached drawing)                     |
| Impedance            | 8 Ohm $\pm$ 15%                      | at 1K Hz 1 V                               |
| Resonant frequency   | 230 Hz $\pm$ 46 Hz                   | at 1 V                                     |
| Sound pressure level | 82 dB/w $\pm$ 3 dB                   | 1 w 50 cm ave. at 0.3K, 0.4K, 0.5K, 0.6KHz |
| Response             | Fo Hz ~ 20 KHz max 10 dB             |  |
| Input power          | Nominal 2 W                          | Handling capacity 4 W                      |
| Operation            | must be normal at program source 2 W |  |
| Buzz, rattle, etc.   | must be normal at sine wave 4 V      |  |
| Magnet               | Size: 18.7 x 4.0 mm                  |  |
| Load test            | White noise 2 W                      | for 24 hours                               |
| Heat test            | 65 $\pm$ 2° C                        | 20-50% R.H. 24 hours                       |
| Humidity test        | 40 $\pm$ 2° C                        | 90-95% R.H. 24 hours                       |

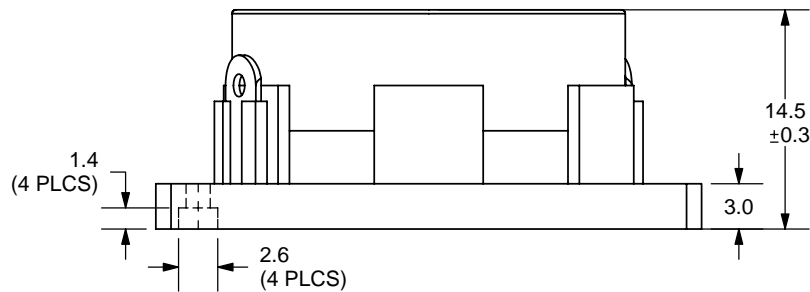
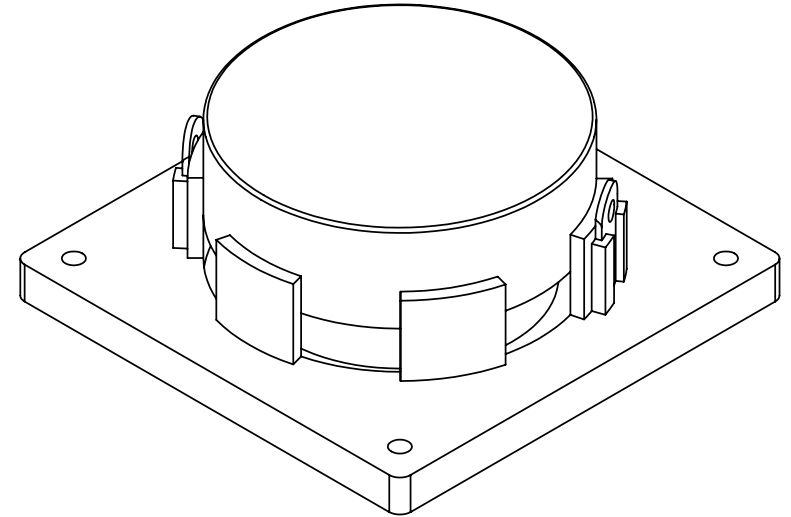
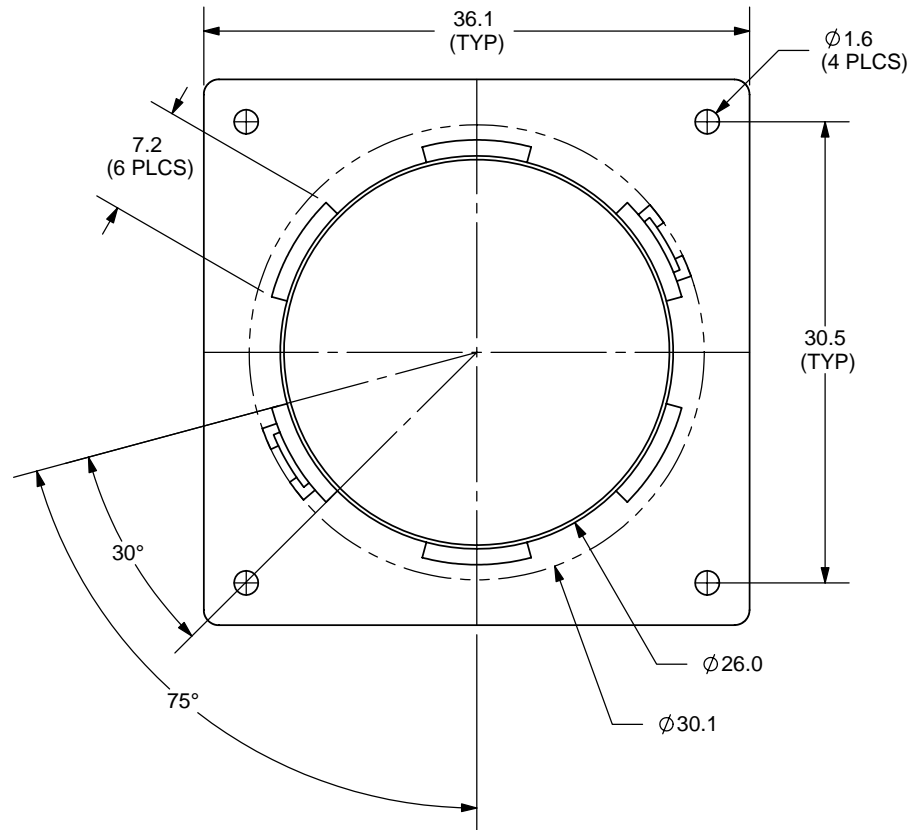
**Frequency Response Curve**

|                       |            |
|-----------------------|------------|
| Potentiometer range   | 50 dB      |
| Rectifier             | RMS        |
| Lower limit frequency | 20 Hz      |
| Wr. speed             | 100 mm/sec |



Zero level 60 dB

| REV. | DESCRIPTION | DATE      |
|------|-------------|-----------|
| A    | NEW DRAWING | 10/2/2006 |



TOLERANCE:  
±0.2mm UNLESS OTHERWISE  
SPECIFIED



20050 SW 112th Ave.  
Tualatin, OR 97062  
Phone: 503-643-4899  
800-275-4899  
Fax: 503-372-1266  
Website: www.cui.com

|                                  |                    |            |
|----------------------------------|--------------------|------------|
| TITLE: MINIATURE MONITOR SPEAKER |                    | REV: A     |
| PART NO. CMS0361KLX              | UNITS: MM [INCHES] |            |
| DRAWN BY: ZRJ                    | APPROVED BY:       | SCALE: 2:1 |

PC FILE NAME:  
CMS0361KLX

COPYRIGHT 2006 BY CUI INC.