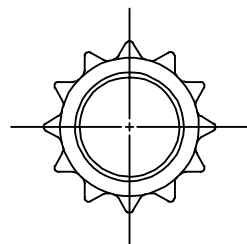




190-015 Composite Plug, 190-016 Composite Jam Nut Receptacle & 190-019 Composite Box Mount Receptacle



40% Glass Filled
Ryton Engineering
Composite
Thermoplastic



190-015-14S-5 P N M

Basic Part Number
 190-015 = Plug Assy
 190-016 = Jam Nut Receptacle Assy
 190-019 = Box Mount Receptacle Assy

Shell Size

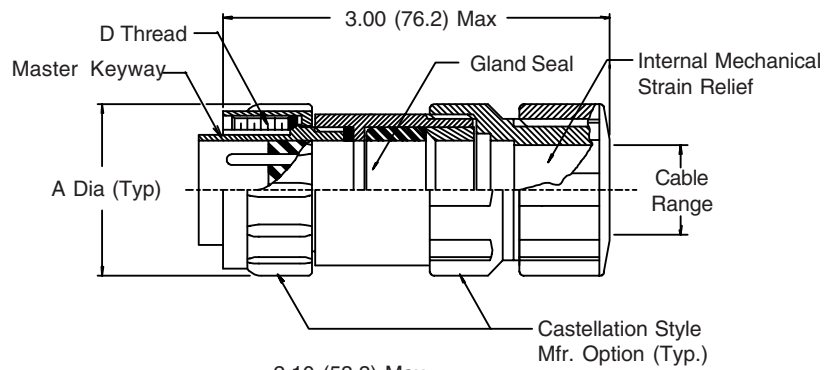
Insert Arrangement Dash No.

M = Molding Adapter, (190-015 and 190-016 Only)
Omit for None

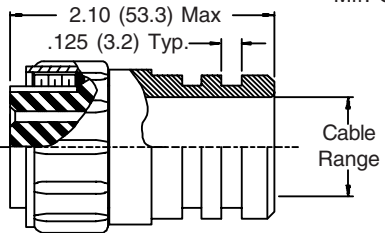
Alternate Insert Position (See Page 27)
N for Normal

Contact Style - P = Pins, S = Sockets

190-015 Plug Assembly

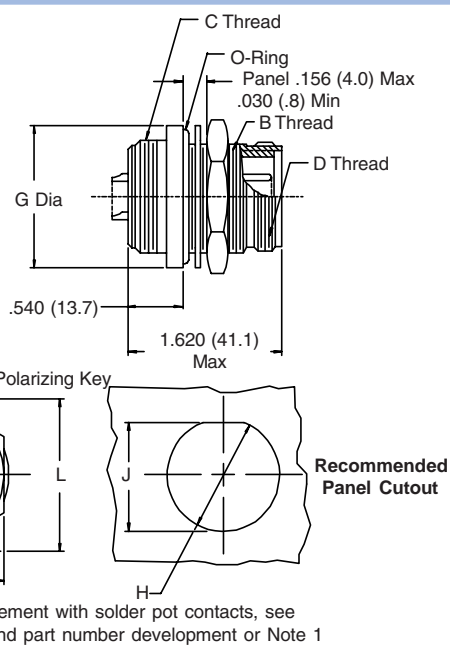


Sym M
Molding Adapter Option

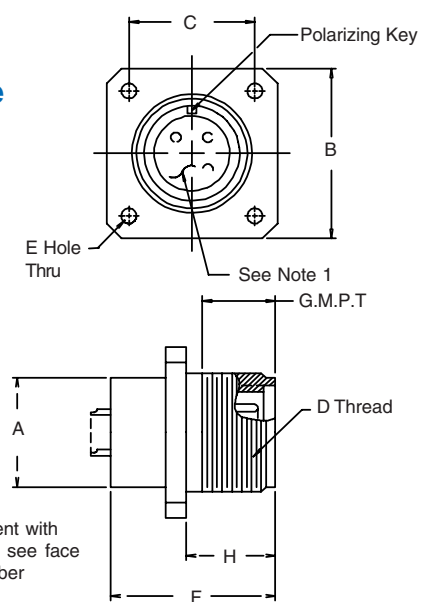


For Environmental Dust Covers Ref. Glenair P/N 667-009 (plug) and 667-010 (receptacle)

190-016 Jam Nut Receptacle Assembly



190-019 Box Mount Receptacle Assembly



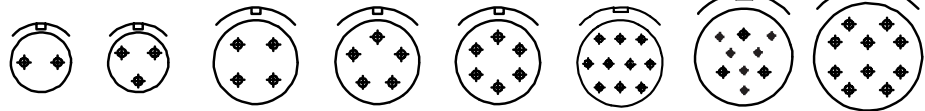
NOTE:
1. Insert arrangement with solder pot contacts, see face views and part number development

Metric dimensions (mm) are indicated in parentheses

190-015 Composite Plug, 190-016 Composite Jam Nut Receptacle & 190-019 Composite Box Mount Receptacle



Insert Arrangements



Shell Size - Insert Arrangement Dash No.	10SL-4	10SL-3	14S-2	14S-5	14S-6	14S-10	16-2	18-1
Contact Size & Quantity	2 - #16	3 - #16	4 - #16	5 - #16	6 - #16	10 - #20	3 - #12, 6 - #20	10 - #16
MS Service Rating	A	A	INST.	INST.	INST.	INST.	INST.	4 A, 6 Inst.
Available Alternate Insert Positions (Degrees rotation clockwise looking into the front of the pin insert)	n/a	n/a	X=120°, Y= 240°	n/a	n/a	n/a	n/a	W=70°, X=145°, Y=215°, Z=290°

DIMENSIONAL DETAILS (190-019)

Shell Size	A Max	B Sq ±.031 (0.8)	C ±.005 (0.1)	D Thread Class 2A	E ±.010 (0.3) - .005 (0.1)	F Max	G M.P.T.	H ±.031 (0.8) - .000
10SL	.609 (15.5)	1.000 (25.4)	.719 (19.3)	.625 - .1P-.1L	.120 (3.0)	1.000 (25.4)	.375 (9.5)	.562 (14.3)
14S	.733 (18.6)	1.188 (30.2)	.906 (25.7)	.875 - .1P-.1L	.120 (3.0)	1.000 (25.4)	.375 (9.5)	.562 (14.3)
18	.975 (24.8)	1.375 (34.9)	1.062 (32.0)	1.125 - .1P-.1L	.120 (3.0)	1.120 (28.4)	.625 (15.9)	.724 (18.4)

DIMENSIONAL DETAILS (190-015)

Shell Size	D Thread Class 2B	Standard Cable Range Min Max	Length Max
10SL	.625 - .1P-.1L	.203 (5.2) .375 (9.5)	3.000 (76.2)
14S	.875 - .1P-.1L	.203 (5.2) .375 (9.5)	3.000 (76.2)
18	1.125 - .1P-.1L	.328 (8.3) .500 (12.7)	3.000 (76.2)

DIMENSIONAL DETAILS (190-016)

Shell Size	B Thread Class 2A	C Thread Class 2A	D Thread Class 2A	D Dia Max	E Dia +.010 (0.3) - .000	F +.010 (0.3) - .000	G Dia (Flats)	H Max	Cable Range* Min Max
10SL	3/4 - 20 UNEF	5/8 - 24 UNEF	.625 - .1P-.1L	1.100 (27.9)	.760 (19.3)	.710 (18.0)	.938 (23.8)	1.090 (27.7)	.210 (5.3) .312 (7.9)
14S	1 - 20 UNEF	7/8 - 20 UNEF	.875 - .1P-.1L	1.450 (36.8)	1.010 (25.7)	.960 (24.4)	1.250 (31.8)	1.440 (36.6)	.210 (5.3) .312 (7.9)
18	1 1/4 - 18 UNEF	1 1/8 - 16 UN	1.125 - .1P-.1L	1.750 (44.5)	1.260 (32.0)	1.210 (30.7)	1.500 (38.1)	1.730 (43.9)	.310 (7.9) .438 (11.1)

* Cable Range Min. Not Applicable with Molding Adapter Option

Products are manufactured from a 40% glass filled Ryton engineering plastic—a high temperature, injection molded material with good mechanical properties and excellent chemical resistance at elevated temperatures, up to 500° F.

PERFORMANCE RATINGS

Shell, Barrel, Coupling Nut and Rear Accy Hdwr.	High Grade Engineering Thermoplastic
Insulator, O-Ring, Grommet	Nitrile/Neoprene
Grommet Follower (Plug Assy)	Nylon
Contacts	Gold Plated Copper Alloy With Solder Pots
Contact Current Rating	#12: 12.5 Amps; #16: 10 Amps; #20: 7.5 Amps
Rated Operating Voltage	Service Rating INST - 250 VDC Service Rating A - 700 VDC
Dielectric Withstanding Voltage (Hi-Pot)	Service Rating INST - 1000 VRMS Service Rating A - 2000 VRMS
Insulation Resistance	5000 Megohms minimum at 500 VDC and +25°C
Temperature Range	-55°C to +125°C

1. Metric dimensions (mm) are indicated in parentheses.
2. **Electrical safety limits must be established by the user. Peak voltages, switching surges, etc., should be used to determine the safety of application.**