



T1/E1/CEPT/ISDN-PRI DUAL & SINGLE CORE THRU-HOLE TRANSFORMERS

- * For T1/CEPT Telecommunications Applications
- * Designed to Meet CCITT and FCC requirements
- * Designed for Majority of Line Interface Transceiver Chips
- * Low Profile Packages
- * 1500Vrms Minimum Isolation
- * Single or Dual Core Package

ELECTRICAL SPECIFICATIONS AT 25°C - OPERATING TEMPERATURE RANGE 0°C TO +70°C

PART NUMBER	TURNS RATIO (±5%)	PRIMARY OCL (mHMin.)	SECONDARY L _L (mHMax.)	PRI-SEC Cw/w (pf Max.)	PRIMARY DCR (Ohms Max.)	SECONDARY DCR (Ohms Max.)	PRIMARY PINS	Package / Schematic
PM-T101	1:1:1 (1:2ct)	1.20	0.50	25	0.70	0.70	1-2	T6/A
PM-T102	1:1:1 (1:2ct)	2.00	0.50	40	.70	0.70	1-2	T6/A
PM-T103	1:1:1.58	0.30	0.60	30	0.4 & 0.4	0.60	1-4, (2&3 Short)	T6/A
PM-T104	1:1:2	0.80	0.60	30	0.4 & 0.4	0.60	1-4, (2&3 Short)	T6/A
PM-T105	1:1:2.62	0.80	0.40	30	0.4 & 0.4	0.60	1-4, (2&3 Short)	T6/A
PM-T106	1:1	1.20	0.50	25	0.70	0.70	1-5	T6/B
PM-T107	1ct:2ct	1.20	.30 - .55	30	0.70	1.20	1-5	T6/C
PM-T111	1:1.36	1.20	0.80	30	0.70	0.70	5-6	T6/H
PM-T112	1:1.15ct	1.50	0.60	35	0.70	0.90	2-6	T6/J
PM-T113	1:1	1.20	0.50	25	0.70	0.70	5-6	T6/H
PM-T114	1ct:2ct	1.20	0.55	30	0.70	1.10	2-6	T6/I
PM-T115	1ct:2ct	2.00	0.50	40	0.70	1.40	2-6	T6/I
PM-T116	2ct:1ct	2.00	1.50	30	0.70	0.40	1-5	T6/C
PM-T117	1:1ct	0.06	0.75	25	0.60	0.60	2-6	T6/J
PM-T119	1ct:1	1.20	0.80	25	0.70	0.70	1-5	T6/J
PM-T120	1:1:1.266	1.50	0.40	35	0.70	0.90	2-6,(1:1=2-6:3-5)	T6/J
PM-T108	1:2ct & 1:2ct	1.20	0.50	30	0.70	1.10	14-12 / 5-7	A7/D
PM-T121	1:1.15ct & 1:2ct	1.5/1	.2	0.6/0.5	35/40	0.70/0.70	1.10/1.30	14-12 / 5-7
PM-T109	1:2ct & 1:1.36	1.20	.5 & .8	35	0.80	1.80	14-12 / 5-7	A7/E
PM-T110	1ct:2ct & 1:1	1.20	.55 & .50	30	0.7 & 0.7	1.1 & .7	1-3 / 10-8	A7/F
PM-T118	1:2ct & 1:2ct	2.00	.60 & .60	45	0.7 & 0.7	1.0 & 1.0	14-12 / 10-8	A7/G

EXTENDED TEMP RANGE

ELECTRICAL SPECIFICATIONS AT 25°C - OPERATING TEMPERATURE RANGE -40°C TO +85°C

PART NUMBER	TURNS RATIO (±5%)	PRIMARY OCL (mHMin.)	SECONDARY L _L (mHMax.)	PRI-SEC Cw/w (pf Max.)	PRIMARY DCR (Ohms Max.)	SECONDARY DCR (Ohms Max.)	PRIMARY PINS	Package / Schematic
PM-T101E	1:1:1 (1:2ct)	1.20	0.50	25	0.70	0.70	1-2	T6/A
PM-T102E	1:1:1 (1:2ct)	2.00	0.50	40	.70	0.70	1-2	T6/A
PM-T103E	1:1:1.58	0.30	0.60	30	0.4 & 0.4	0.60	1-4, (2&3 Short)	T6/A
PM-T104E	1:1:2	0.80	0.60	30	0.4 & 0.4	0.60	1-4, (2&3 Short)	T6/A
PM-T105E	1:1:2.62	0.80	0.40	30	0.4 & 0.4	0.60	1-4, (2&3 Short)	T6/A
PM-T106E	1:1	1.20	0.50	25	0.70	0.70	1-5	T6/B
PM-T107E	1ct:2ct	1.20	.30 - .55	30	0.70	1.20	1-5	T6/C
PM-T111E	1:1.36	1.20	0.80	30	0.70	0.70	5-6	T6/H
PM-T112E	1:1.15ct	1.50	0.60	35	0.70	0.90	2-6	T6/J

Specifications subject to change without notice.

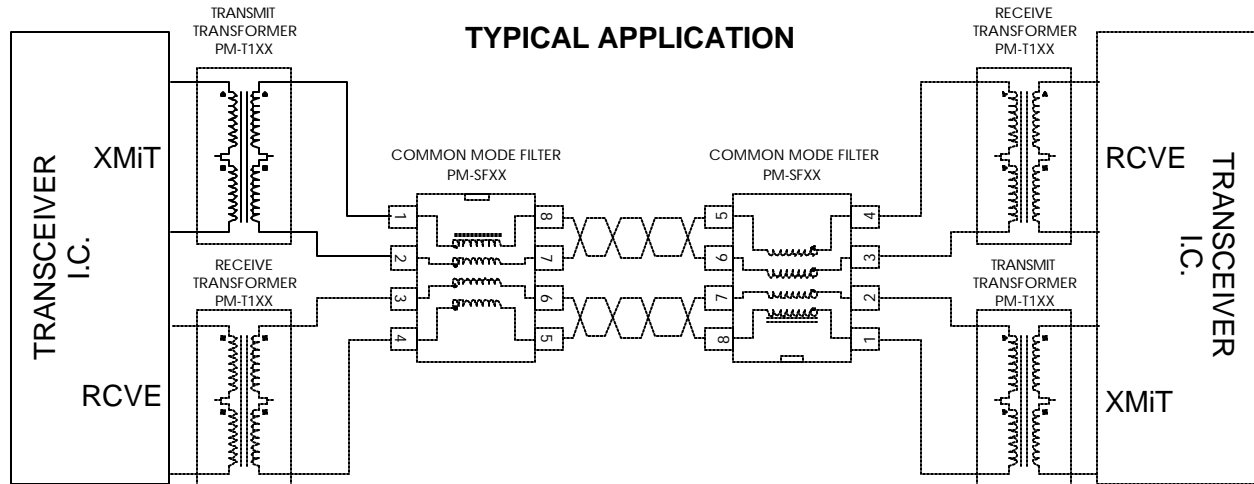
pmt1xx 7/99

EXTENDED TEMP RANGE

ELECTRICAL SPECIFICATIONS AT 25°C - OPERATING TEMPERATURE RANGE -40°C TO +85°C

PART NUMBER	URNS RATIO (±5%)	PRIMARY OCL (mHMin.)	SECONDARY L _L (mHMax.)	PRI-SEC Cw/w (pf Max.)	PRIMARY DCR (Ohms Max.)	SECONDARY DCR (Ohms Max.)	PRIMARY PINS	Package / Schematic
PM-T113E	1:1	1.20	0.50	25	0.70	0.70	5-6	T6/H
PM-T114E	1ct:2ct	1.20	0.55	30	0.70	1.10	2-6	T6/I
PM-T115E	1ct:2ct	2.00	0.50	40	0.70	1.40	2-6	T6/I
PM-T116E	2ct:1ct	2.00	1.50	30	0.70	0.40	1-5	T6/C
PM-T117E	1:1ct	0.06	0.75	25	0.60	0.60	2-6	T6/J
PM-T119E	1ct:1	1.20	0.80	25	0.70	0.70	1-5	T6/J
PM-T120E	1:1:1.266	1.50	0.40	35	0.70	0.90	2-6,(1:1=2-6:3-5)	T6/J
PM-T108E	1:2ct & 1:2ct	1.20	0.50	30	0.70	1.10	14-12 / 5-7	A7/D
PM-T121E	1:1.15ct & 1:2ct	1.5/1.2		0.6/0.5	35/40	0.70/0.70	1.10/1.30	14-12 / 5-7
PM-T109E	1:2ct & 1:1.36	1.20	.5 & .8	35	0.80	1.80	14-12 / 5-7	A7/E
PM-T110E	1ct:2ct & 1:1	1.20	.55 & .50	30	0.7 & 0.7	1.1 & .7	1-3 / 10-8	A7/F
PM-T118E	1:2ct & 1:2ct	2.00	.60 & .60	45	0.7 & 0.7	1.0 & 1.0	14-12 / 10-8	A7/G

TYPICAL APPLICATION

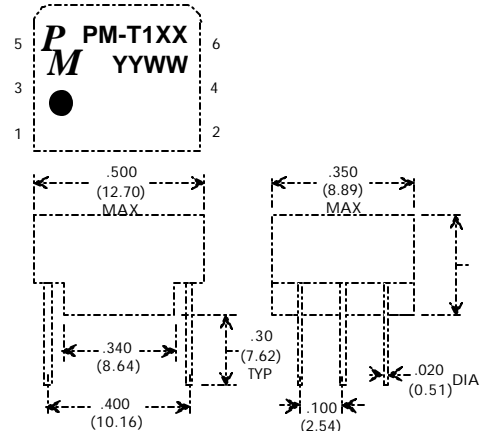
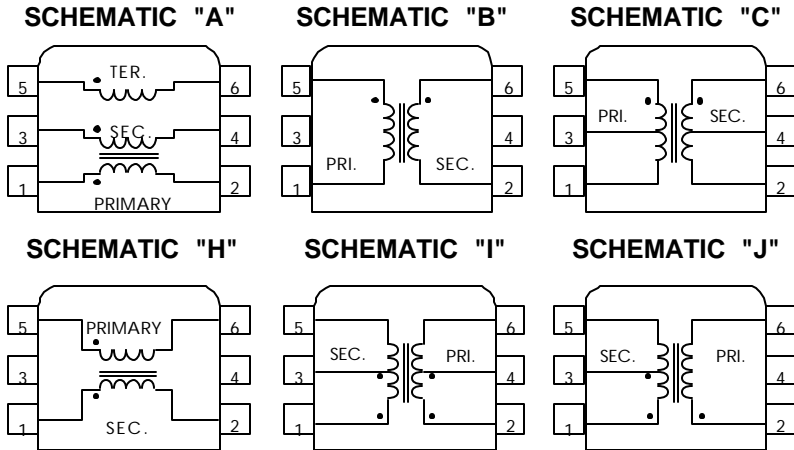


T1/E1/CEPT/ISDN-PRI DUAL & SINGLE CORE THRU-HOLE TRANSFORMERS

"T6" MECHANICAL

SINGLE CORE

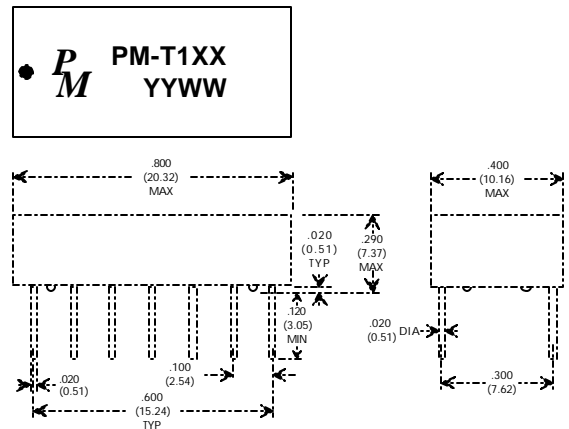
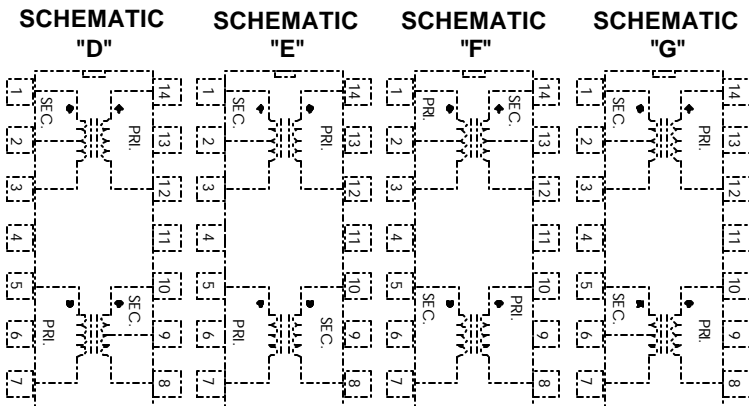
SINGLE CORE PACKAGE "T6"



"A7" MECHANICAL

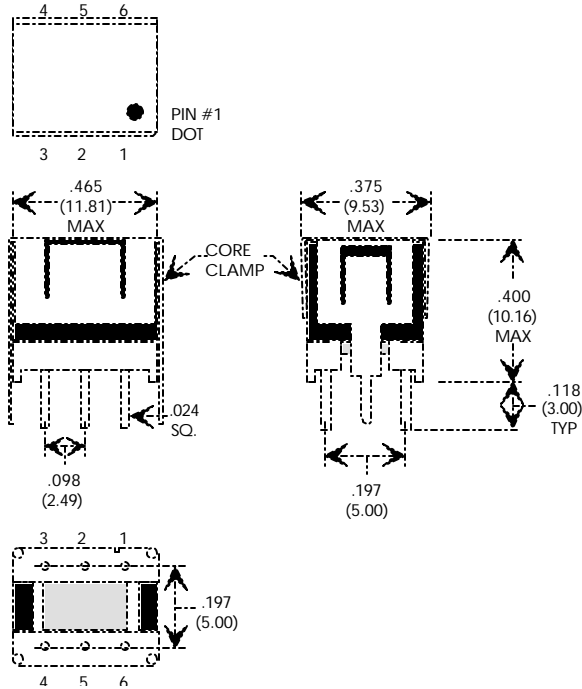
DUAL CORE

DUAL CORE PACKAGE "A7"

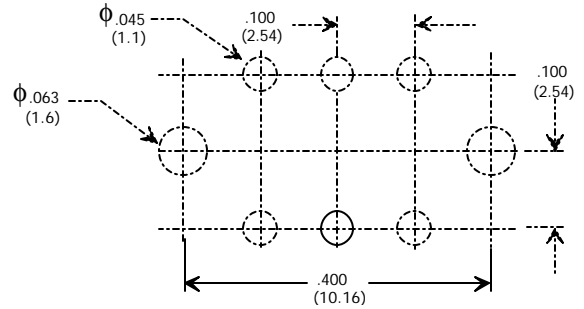


"EP7" MECHANICAL

THROUGH HOLE

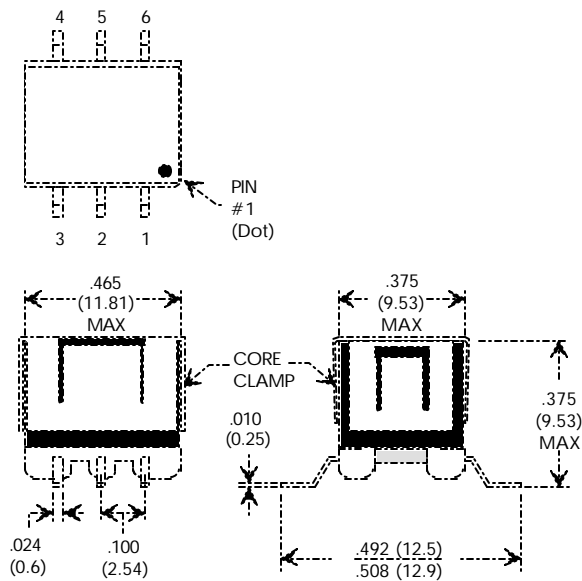


**RECOMMENDED PCB
LAYOUT
(TOP VIEW)**



"EP7G" MECHANICAL

SINGLE CORE SMD



**RECOMMENDED PCB
LAYOUT
(TOP VIEW)**

