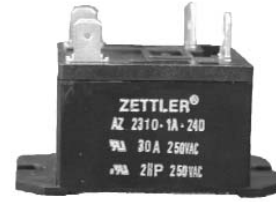


# AZ2310

## 30 AMP MINIATURE POWER RELAY

### FEATURES

- Low cost
- 30 Amp switching
- 144 Amp inrush current
- Quick connect terminals
- Creepage distance more than 8 mm
- UL, CUR file E44211



### CONTACTS

<b>Arrangement</b>	SPST N.O. (1 Form A)
<b>Ratings</b>	Resistive load: Max. switched power: 7500 VA Max. switched current: 30 A Max. switched voltage: 250 VAC
<b>Rated Load UL, CUR</b>	30 A at 250 VAC Res. 2 HP 125/250 VAC TV-15 at 120 VAC
<b>Material</b>	Silver tin oxide
<b>Resistance</b>	< 30 milliohms initially (24 V, 1 A voltage drop method)

### COIL

<b>Power At Pickup Voltage (typical)</b>	588 mW
<b>Max. Continuous Dissipation</b>	2.0 W at 20°C (68°F) ambient
<b>Temperature Rise</b>	30°C (54°F) at nominal coil voltage
<b>Temperature</b>	Max. 105°C (221°F)

### NOTES

1. All values at 20°C (68°F).
2. Relay may pull in with less than "Must Operate" value.
3. Specifications subject to change without notice.

### GENERAL DATA

<b>Life Expectancy</b> Mechanical Electrical	Minimum operations 1 x 10 <sup>7</sup> 1 x 10 <sup>5</sup> at 30 A 240 VAC Res.
<b>Operate Time (typical)</b>	20 ms at nominal coil voltage
<b>Release Time (typical)</b>	5 ms at nominal coil voltage (with no coil suppression)
<b>Dielectric Strength (at sea level for 1min)</b>	4000 Vrms coil to contact 1200 Vrms between open contacts
<b>Insulation Resistance</b>	1000 megohms min. at 20°C, 500 VDC, 50% RH
<b>Dropout</b>	Greater than 10% of nominal coil volt age
<b>Ambient Temperature Operating Storage</b>	At nominal coil voltage -40°C (-40°F) to 70°C (158°F) -40°C (-40°F) to 105°C (221°F)
<b>Vibration</b>	0.04" DA at 10–55 Hz
<b>Shock</b> Operating Non-Operating	10 g, 11 ms, 1/2 sine (no false operation) 100 g, 11 ms, 1/2 sine (no damage)
<b>Enclosure</b>	P.B.T. polyester
<b>Terminals</b>	Tinned copper alloy P.C. & quick connect Note: Allow suitable slack on leads when wiring, and do not subject the terminals to excessive force.
<b>Weight</b>	55 grams



**AMERICAN ZETTLER, INC.**

[www.azettler.com](http://www.azettler.com)

75 COLUMBIA • ALISO VIEJO, CA 92656 • PHONE: (949) 831-5000 • FAX: (949) 831-8642 • E-MAIL: SALES@AZETTLER.COM

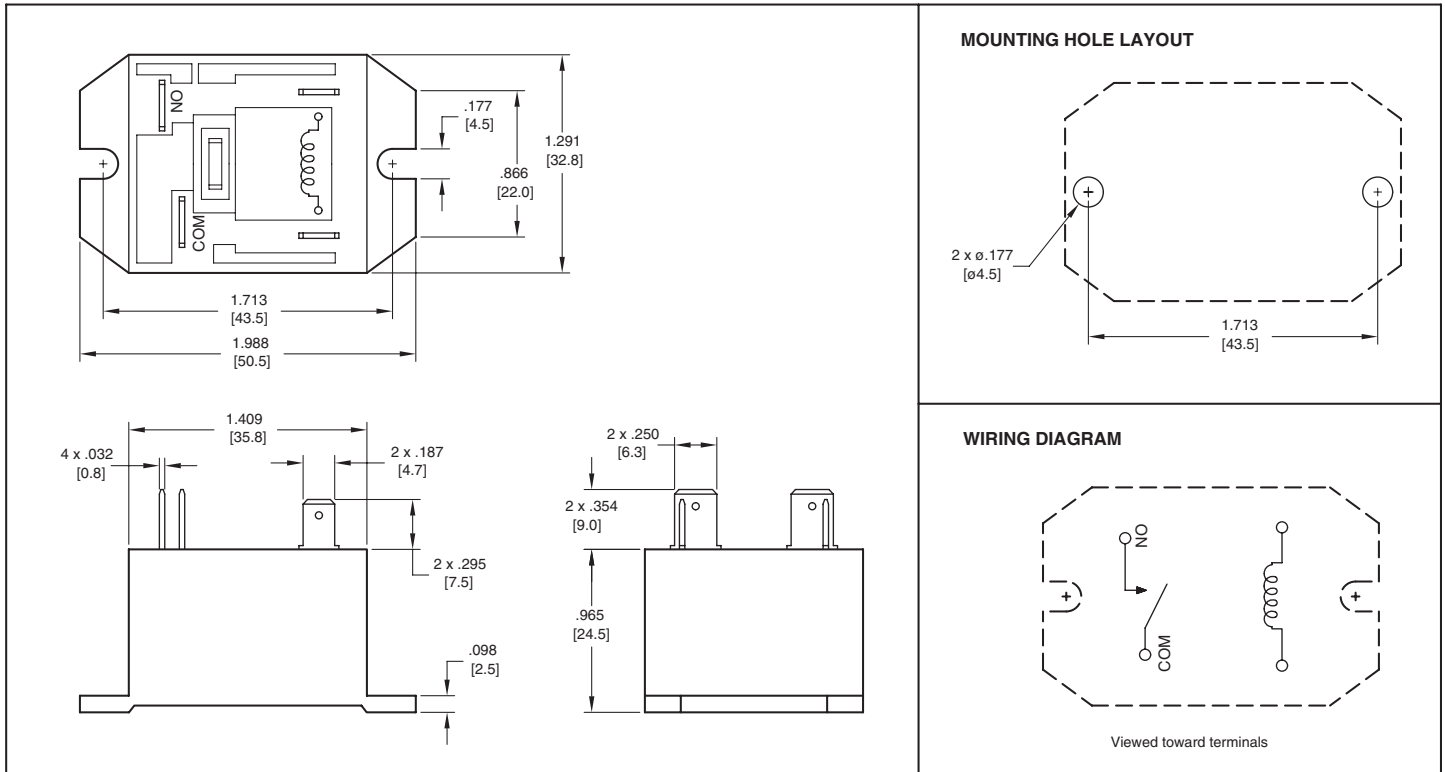
11/30/05W

# AZ2310

## RELAY ORDERING DATA

COIL SPECIFICATIONS				ORDER NUMBER
Nominal Coil VDC	Must Operate VDC	Max. Continuous VDC	Coil Resistance $\pm 10\%$	Form A (SPST N.O.)
3	2.1	3.9	7.5	AZ2310-1A-3D
5	3.5	6.3	20	AZ2310-1A-5D
6	4.2	7.7	30	AZ2310-1A-6D
9	6.3	11.6	67	AZ2310-1A-9D
12	8.4	15.5	120	AZ2310-1A-12D
24	16.8	31.0	480	AZ2310-1A-24D
48	33.6	62.0	1920	AZ2310-1A-48D
60	42.2	77.5	3000	AZ2310-1A-60D

## MECHANICAL DATA



Dimensions in inches with metric equivalents in parentheses. Tolerance:  $\pm .010$ "



**AMERICAN ZETTLER, INC.**

[www.azettler.com](http://www.azettler.com)

75 COLUMBIA • ALISO VIEJO, CA 92656 • PHONE: (949) 831-5000 • FAX: (949) 831-8642 • E-MAIL: SALES@AZETTLER.COM

11/30/05W