

Datasheet

Copper OC-3 SFP Transceiver

SFP-OC3-CX



Overview

MRV's SFP-OC3-CX module is a Small Form-factor Pluggable (SFP) module that offers easy full-duplex interfacing with 155 Mbps OC-3 electrical interfaces (STM-1e, ES1) over 75Ω telecommunications coaxial cable. It includes Clock and Data Recovery (CDR) in both directions, and a CMI encoder/decoder for transparent NRZ-to-CMI line code conversion. It provides Loss of Signal (LOS) detection for electrical CMI interfaces and the option to disable the transmit driver to support the Link Integrity Notification (LIN) feature on applicable MRV modules. A serial interface provides access to an on-board EEPROM for identification information including manufacturer, part number, serial number, and date code.

The SFP-OC3-CS complies with Multi-Source Agreement SFF-8472 for SFP transceivers.

Applications

Typical applications include SDH multiplexer systems or ATM-switch and IP-router equipment supporting SDH physical interfaces. The SFP-OC3-CX module is fully interchangeable with STM-1 and OC-3 optical SFP transceivers, offering system developers an easy migration to STM-1 electrical interfaces. Any system that already supports the STM-1 optical SFP also supports the STM-1 electrical SFP. This modular flexibility minimizes development efforts and time-to-market for STM-1 solutions because a single card design supports both optical and electrical STM-1 interfaces.

The SFP-OC3-CX and optical STM-1 SFP interfaces can be changed in the field to match the system port types to the application while the system is in operation. The common SFP interface also allows for reduced inventory of field replacements.

Features

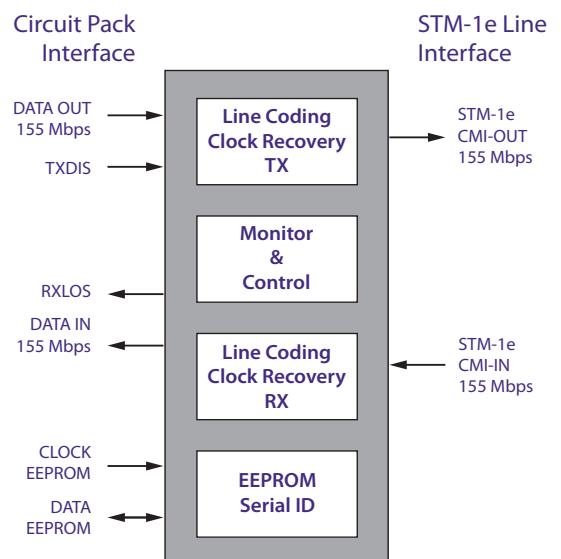
- MSA compliance for SFP transceivers (SFF-8472)
- Detection for Loss-of-Signal (ITU-T G.783)
- Control for transmit power down*
- Handles over 12.7 dB of cable loss
- Extended temperature operation: -20 C to 85 C
- 75Ω media interface compliance for CMI coded 155 Mbps electrical interfaces
 - ITU-T G.703
 - Telcordia GR-253
- 75Ω DIN 1.0/2.3 female coaxial interface for Type A and Type D coupling
- Low power dissipation (0.6 W typical)
- RoHS 5/6 compliance

* LIN support for applicable MRV modules

Benefits

- Provides end user flexibility through independent port configuration
- Reduces deployment cost for STM-1 electrical interfaces

Figure 1: Transceiver Functional Diagram



Datasheet

Serial ID Interface

The SFP-OC3-CX supports the 2-wire serial EEPROM protocol for the ATMEL AT24C02, as defined by the MSA for access to identification information. The memory is organized as byte-wide data that can be addressed individually or sequentially at device address 1010000X (A0h).

Receiver Specifications	
Cable Flat-Loss Tolerance	0 to 12.7 dB
Latency	5 to 10 UI
DLL Lock Time	1 to 10 μ s
Return Loss	7MHz to 240MHz 15 dB min
Input Signal	Must comply with ITU-T G.703

Transmitter Specifications	
Bit Rate	155.52 Mbps \pm 20 ppm
Line Code	Coded Mark Inversion (CMI)
Relevant Specification	ITU-T G.703, ANSI T1.102, Telcordia GR-253-CORE

With the coaxial output port driving a 75 Ω load, the output pulses conform to the templates in ITU-T G.703 and G.783.

Transmitter Specifications	
Peak-to-peak Output Voltage Template	Steady state 0.9 to 1.1 V
Rise/ Fall Time	10-90% 2 ns
Transition Timing Tolerance	Transitions at mid-interval -0.35 to +0.35 Ns
Return Loss	7MHz to 240MHz 15 dB min

Environmental and Regulatory Compliance	
ESD threshold	1KV at faceplate*
Radiated Emission	FCC Part 15 Class B EN55022, CISPR 22 (6db margin)
Radiated Immunity	Class A per IEC-801-3, EN55082-1, IEC-61000-4-3, GR-1089
Component Recognition	CSA C22.2, UL 60950-1
Shock and Vibration	0.2 G p-p, 9 – 62 Hz
Flammability	94V0

* Varies with system design.

**Datasheet****Ordering Information**

Model	Description	Protocol	Connectors	Impedance	Maximum Cable Length	Operating Temperature Range
SFP-OC3-CX	Copper SFP Transceiver	OC-3	Coax 1.0/2.3 BNC	75 Ohms	100 Meters	-20 to 85 °C

ACCESSORIES**Ordering Information: ACCESSORIES**

Model	Description
1600125-001R	Coax cables, 2 used with SFP

For more information about MRV's SFP transceivers, visit www.mrv.com or contact sales@mrv.com.

MRV has more than 50 offices throughout the world. Addresses, phone numbers and fax numbers are listed at www.mrv.com. Please e-mail us at sales@mrv.com or call us for assistance.

MRV Los Angeles
20415 Nordhoff St.
Chatsworth, CA 91311
800-338-5316
818-773-0900

MRV Boston
295 Foster St.
Littleton, MA 01460
800-338-5316
978-952-4700

MRV International
Business Park Moerfelden
Waldeckerstrasse 13
64546 Moerfelden-Walldorf
Germany
Tel. (49) 6105/2070
Fax (49) 6105/207-100

All statements, technical information and recommendations related to the products herein are based upon information believed to be reliable or accurate. However, the accuracy or completeness thereof is not guaranteed, and no responsibility is assumed for any inaccuracies. Please contact MRV Communications for more information. MRV Communications and the MRV Communications logo are trademarks of MRV Communications, Inc. Other trademarks are the property of their respective holders.