

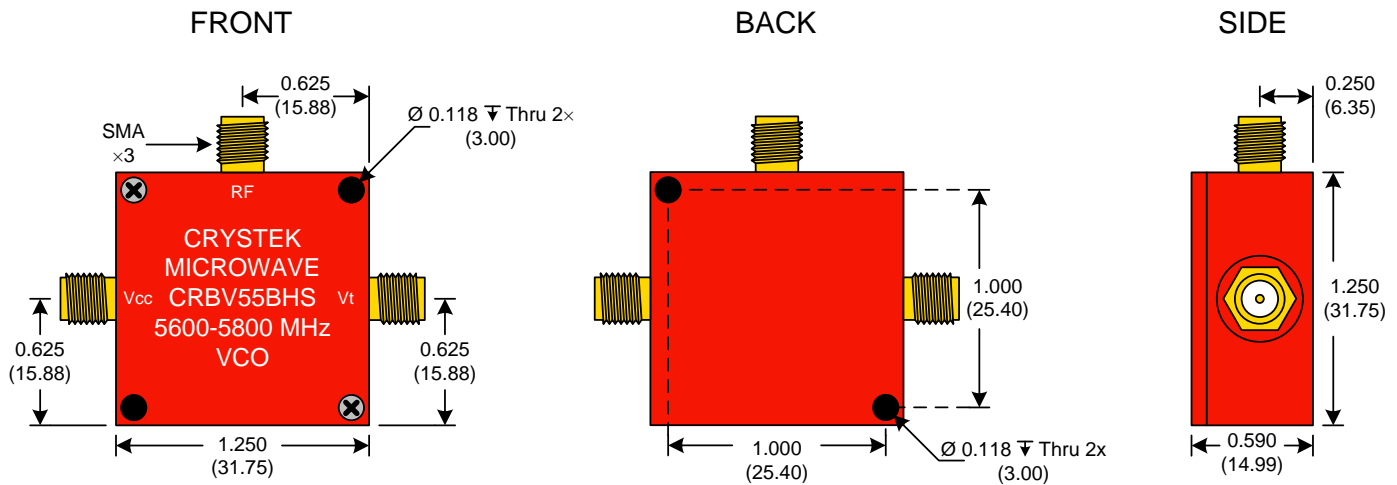


CRYSTEK
MICROWAVE
 A DIVISION OF CRYSTEK CORPORATION

RedBox VCO
CRBV55BHS-5600-5800



PERFORMANCE SPECIFICATION	MIN	TYP	MAX	UNITS
Lower Frequency:			5600	MHz
Upper Frequency:	5800			MHz
Tuning Voltage:	0		6.0	VDC
Supply Voltage:	4.75	5.0	5.25	VDC
Output Power:	-3.0	0	+3.0	dBm
Supply Current:		20	30	mA
Harmonic Suppression (2 nd Harmonic):		-22		dBc
Pushing:			4.0	MHz/V
Pulling, all Phases:		30.0	50.0	MHz pk-pk
Tuning Sensitivity:		125		MHz/V
Phase Noise @ 10kHz offset:		-85		dBc/Hz
Phase Noise @ 100kHz offset:		-107		dBc/Hz
Load Impedance:		50		Ω
Input Capacitance:			15	pF
Operating Temperature Range:	-40		+85	$^{\circ}\text{C}$
Storage Temperature Range:	-45		+90	$^{\circ}\text{C}$



● Unless otherwise specified, Dimensions are in: $\frac{\text{IN}}{\text{(mm)}}$

Product Control:

Crystek Part Number:	CRBV55BHS-5600-5800	Release Date:	16-Oct-08
Revision Level:	A	Responsible:	C. Vales

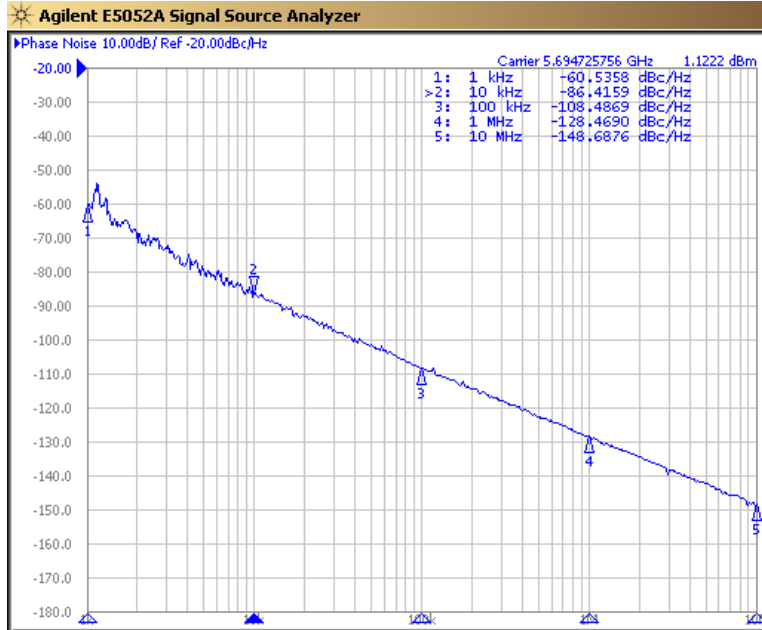


CRYSTEK
 CORPORATION

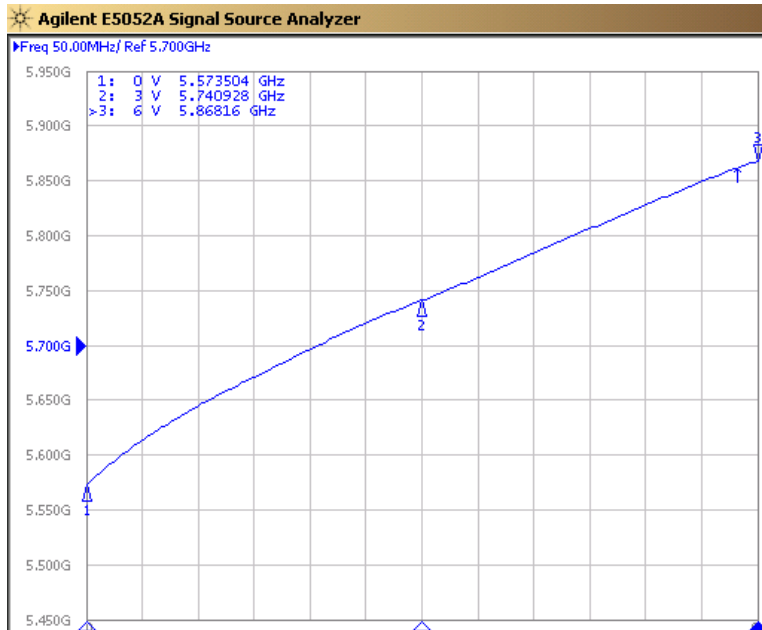
12730 COMMONWEALTH DRIVE • FORT MYERS, FLORIDA 33913
 PHONE: 239-561-3311 • 800-237-3061
 FAX: 239-561-1025 • WWW.CRYSTEK.COM



Phase Noise (1 Hz BW, Typical)



Tuning Curve (Typical)



Product Control:

Crystek Part Number:	CRBV55BHS-5600-5800	Release Date:	16-Oct-08
Revision Level:	A	Responsible:	C. Vales

Specification is subject to change without notice