

# Preset counters electronic

## 2 presets, meter counters PTB approved

### Display LED, 8-digits, programmable

## NE215



NE215 - PTB Preset counter

### Technical data - electrical ratings

Voltage supply	85...265 VAC (50/60 Hz) 24/48 VAC ±10 % (50/60 Hz) 24 VDC ±10 %
Power consumption	7 VA, 6 W
Sensor supply	12...26 VDC / max. 80 mA
Display	LED, 7-segment display
Number of digits	6-digits (totalizer) 8-digits (preset counter)
Digit height	7.6 mm
Function	Preset counter Main counter with 2 presets Batch counter with 1 preset Totalizer Hour counter
Scaling factor	0.0001...9999.99
Multitplier / batch counter	1...999
Count mode	A 90° B phase evaluation
Counting frequency	Approx. 10 kHz
Operating mode	Step preset
Data memory	>10 years in EEPROM
Reset	Button, electric or automatic
Outputs relay	Potential-free change-over contact for main counter Normally open/closed potential-free for B1
Output holding time	0.01...99.99 s
Interfaces	RS232, RS485
Standard DIN EN 61010-1	Protection class II Overvoltage category II Pollution degree 2
Emitted interference	DIN EN 61000-6-3
Interference immunity	DIN EN 61000-6-2
Programmable parameters	Scaling factor Sensor logic Printer trigger

### Features

- PTB Meter counter with two presets
- Display 8-digits
- Batch counter, totalizer, hour counter
- Measurements in cm and mm
- Connection: PTB encoder
- Batch counter with preset and multiplier
- Interface RS232 or RS422/RS485

### Technical data - electrical ratings

PTB approval	1.3 / 93.15
Approvals	UL/cUL, CE conform

### Technical data - mechanical design

Operating temperature	0...+50 °C
Storing temperature	-20...+70 °C
Relative humidity	80 % non-condensing
E-connection	Plug-in screw terminals
Core cross-section	1.5 mm <sup>2</sup>
Protection DIN EN 60529	IP 65 face with seal
Operation / keypad	10 figure keypad with 5 function keys
Housing type	Built-in housing
Dimensions W x H x L	72 x 72 x 105 mm
Installation depth	105 mm
Mounting	Clip frame
Cutout dimensions	68 x 68 mm (+0.7)
Materials	Housing: Makrolon 6485 (PC) Keypad: Polyester
Weight approx.	450 g (AC), 320 g (DC)

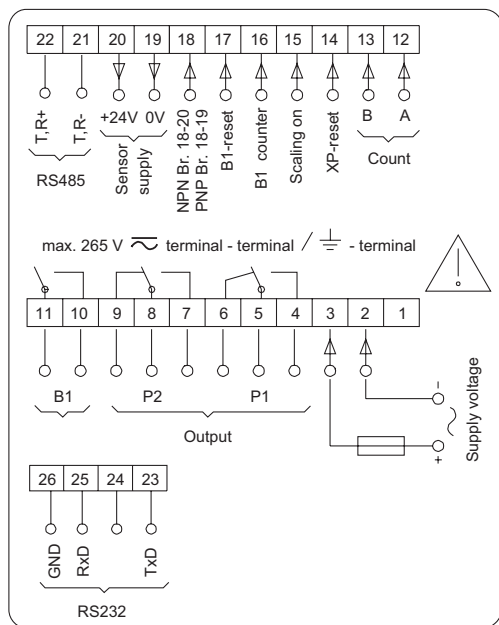
# Preset counters electronic

## 2 presets, meter counters PTB approved

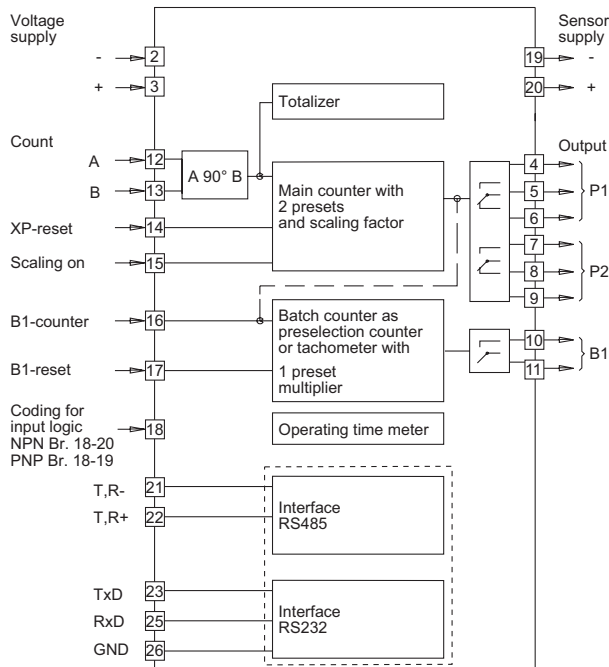
### Display LED, 8-digits, programmable

NE215

#### Connection diagram



#### Block circuit diagram



#### Trigger level

**Optocoupler inputs**      **Input circuit**

Control inputs              PNP- / NPN-logic

#### Count input

Trigger current              9...16 mA

Switch-off current          <0.5 mA

Input resistance             1.65 kΩ

#### Reset input

Trigger current              5...8 mA

Switch-off current          <0.5 mA

Input resistance             3.3 kΩ

#### Relay outputs

#### Output circuit

Switching voltage max.     250 VAC / 110 VDC

Switching current max.     1 A

Switching capacity max.    150 VA / 30 W

Relay responding time      5 ms

#### Electronical outputs

#### Output circuit

**PNP-switching transistor**   **Open collector**

Switching voltage            24 VDC ±20 %

Switching current max.     10 mA (AC)

50 mA (DC)

#### NPN-switching transistor

#### Open collector

Switching voltage max.     35 V

Switching current max.     50 mA

30/10/2008 Subject to modification in technic and design. Errors and omissions excepted.

# Preset counters electronic

2 presets, meter counters PTB approved  
Display LED, 8-digits, programmable

## NE215

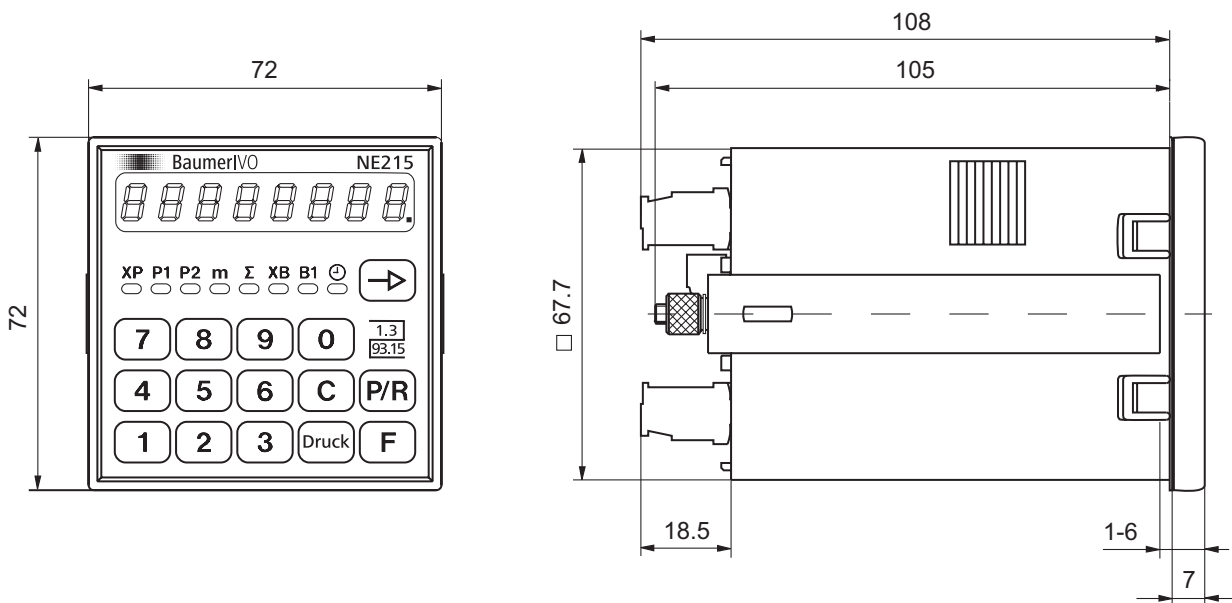
### Part number

NE215. 

	1		AX0	
--	---	--	-----	--

- Display
  - 5 In cm, 9999.99  
50 pulses/rev.  
w/o interface/RS232
  - 6 In mm, 999.999  
500 pulses/rev.  
w/o interface/RS232
  - 7 In cm, 9999.99  
50 pulses/rev.  
at RS232/RS485
  - 8 In cm, 999.999  
500 pulses/rev.  
at RS232/RS485
- Voltage supply
  - 1 24 / 48 VAC
  - 2 85...265 VAC
  - 3 24 VDC
- Outputs
  - 1 Relay outputs, B1 normally closed
- Interface
  - 0 Without interface
  - 1 RS232
  - 2 RS232/RS485

### Dimensions



**Preset counters electronic**  
2 presets, meter counters PTB approved  
Display LED, 8-digits, programmable

**NE215**

---