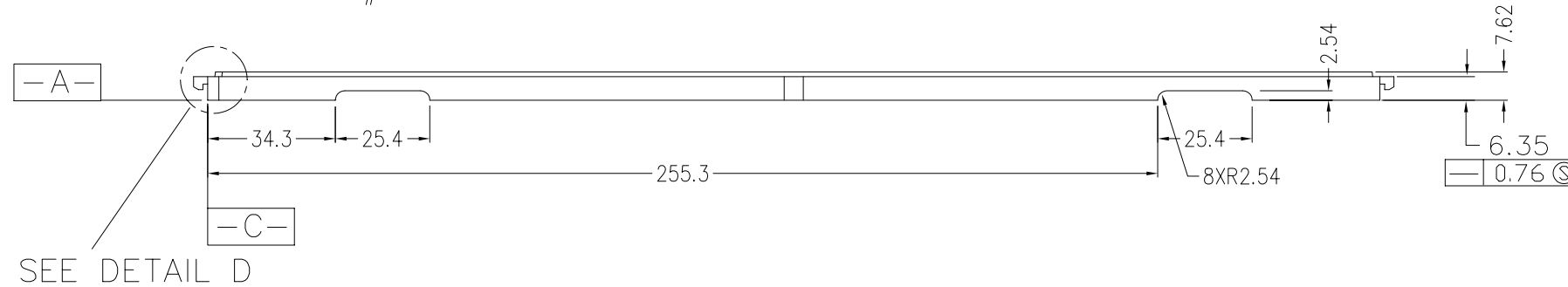


NOTES :

1. MATERIAL - PP6.
2. ALL DIMENSIONS ARE IN MILLIMETERS.
3. TOLERANCES - X.X=±0.25  
- X.XX=±0.13  
UNLESS OTHERWISE SPECIFIED.
4. ESD - SURFACE RESISTIVITY  
- 10<sup>5</sup> TO 10<sup>11</sup> OHMS/SQ.
5. FOR PACKAGE - BGA8X8,  
TOTAL THICKNESS 1.7 MAX.
6. PART NO. : NH BG0808 1.5 1229 6 REV.B  
(PLEASE INDICATE ON PURCHASE ORDER).

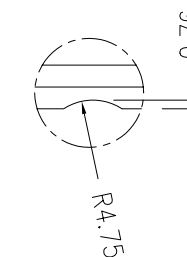
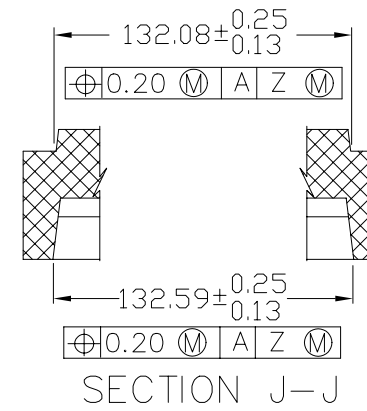
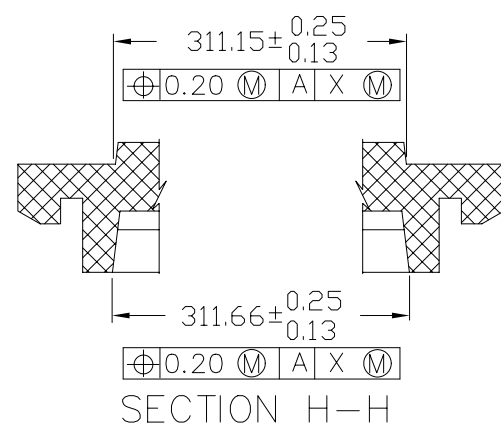
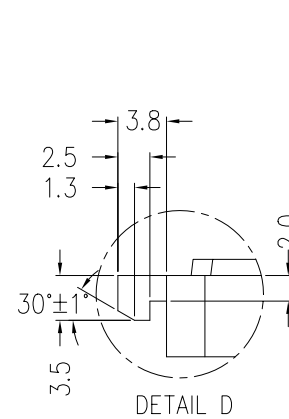
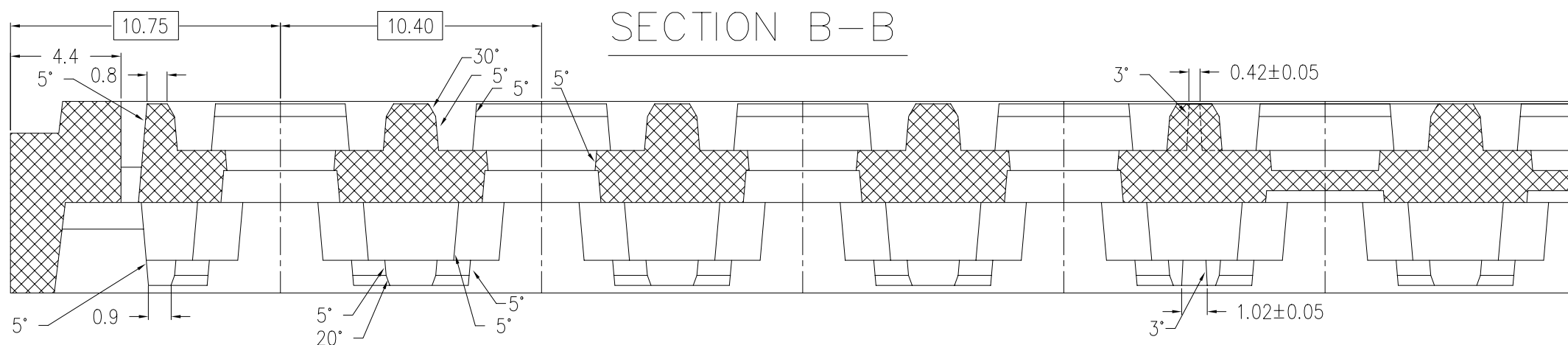
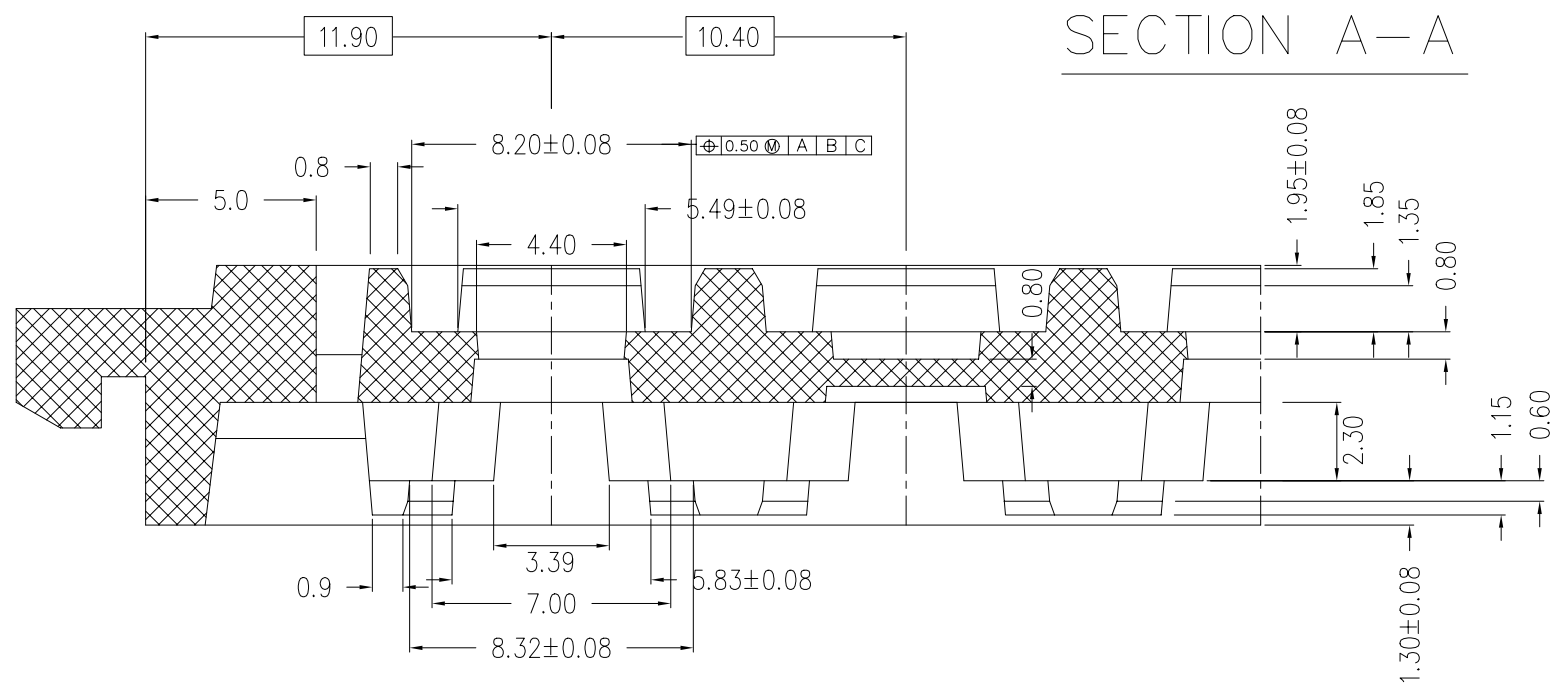


 <b>PEAK</b> PLASTIC & METAL PRODUCTS INT'L LTD.	CUSTOMER : <i>PEAK</i>	
	TITLE : NH BG0808 1.5 1229 6 REV.B	
DWG NO.: NH BG0808 1.5 1229 6 REV.B	REV. 0	

REV.NO.	ECN #	DESCRIPTION	DATE
0		RELEASED FOR PRODUCTION	9 MAR 99

THIS DOCUMENT CONTAINS INFORMATION PROPRIETARY TO PEAK PLASTIC & METAL PRODUCTS INTERNATIONAL LIMITED. REPRODUCTION, DISCLOSURE OR USE OF THIS DOCUMENT IS EXPRESSLY PROHIBITED EXCEPT IF OTHERWISE AGREED UPON IN WRITING.

DRAWN BY : Wang	PAGE 1 OF 2
CHECKED BY :	DATE : 9 MAR 99
APPROVED BY :	DATE : 9 MAR 99
APPROVED BY :	DATE : 9 MAR 99
DO NOT SCALE DRAWING	CODE : CSA05217



NOTE: SCALLOP IS CENTERED ON SIDE OF TRAY



**PEAK** PEAK PLASTIC & METAL PRODUCTS INT'L LTD.

0		RELEASED FOR PRODUCTION	9 MAR 99
REV.NO.	ECN #	DESCRIPTION	DATE

THIS DOCUMENT CONTAINS INFORMATION PROPRIETARY TO PEAK PLASTIC & METAL PRODUCTS INTERNATIONAL LIMITED. REPRODUCTION, DISCLOSURE OR USE OF THIS DOCUMENT IS EXPRESSLY PROHIBITED EXCEPT IF OTHERWISE AGREED UPON IN WRITING.

DRAWN BY : Wang	PAGE 2 OF 2
CHECKED BY :	DATE : 9 MAR 99
APPROVED BY :	DATE : 9 MAR 99
APPROVED BY :	DATE : 9 MAR 99
DO NOT SCALE DRAWING	CODE : CSA05217

CUSTOMER :	PEAK	
TITLE :	NH BG0808 1.5 1229 6 REV.B	
DWG NO.:	NH BG0808 1.5 1229 6 REV.B	REV. 0