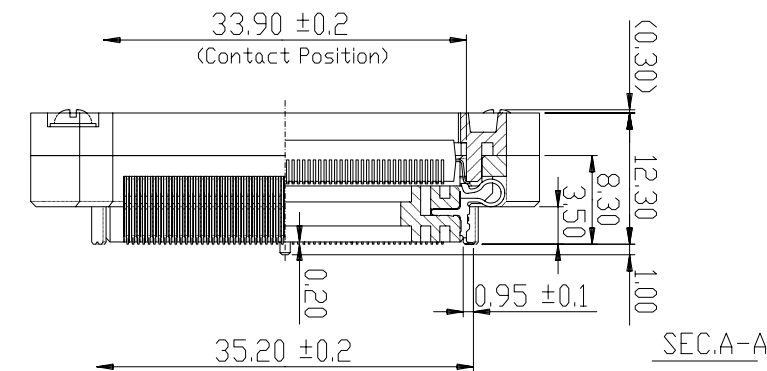
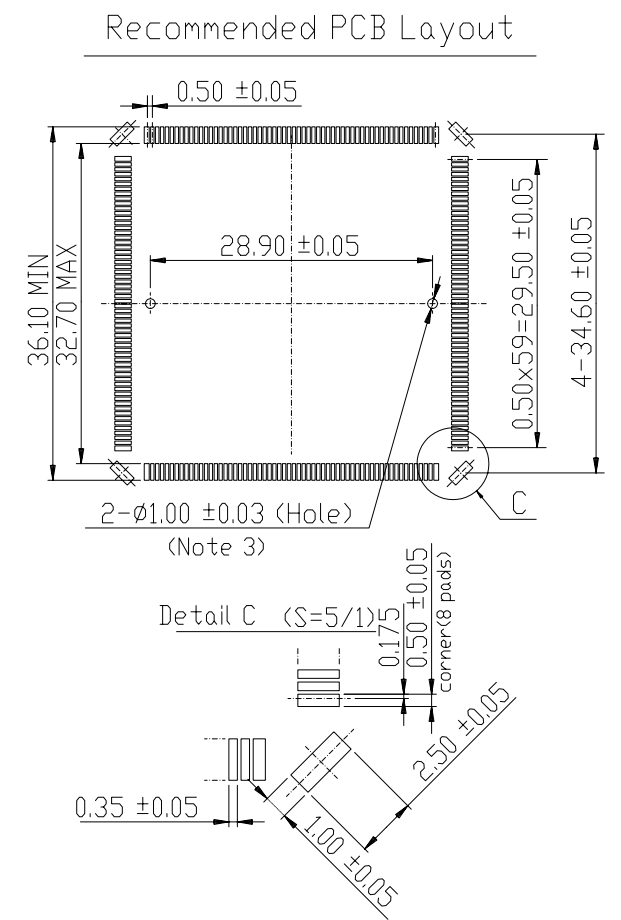
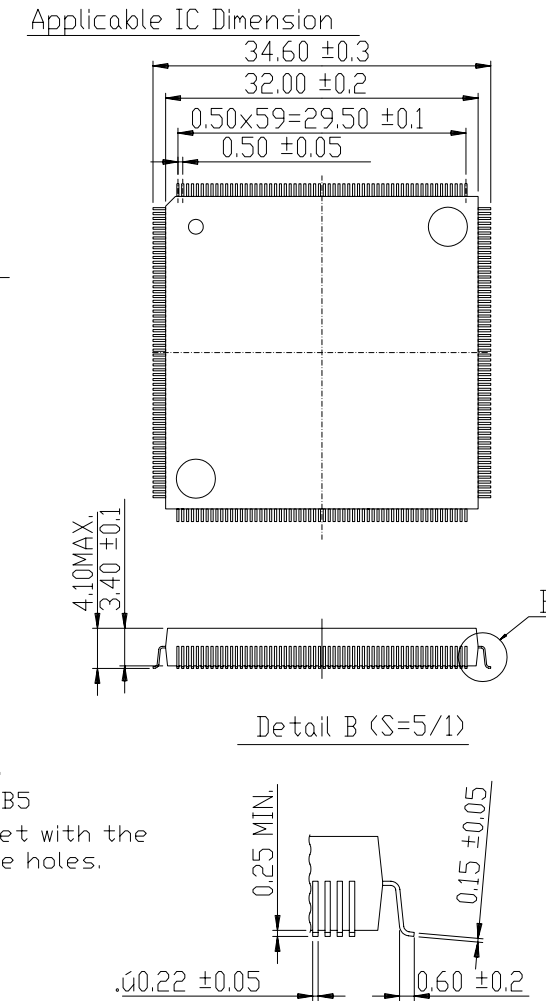
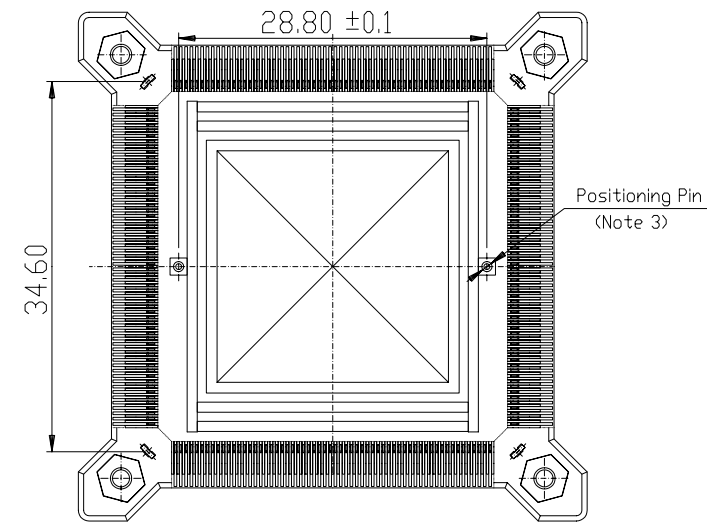
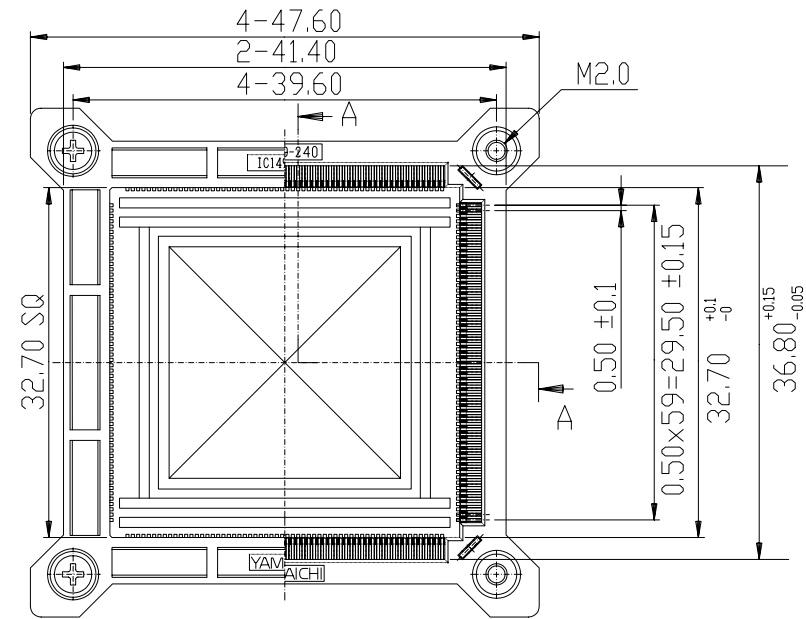


THE DRAWINGS AND INFORMATION CONTAINED HEREIN ARE THE EXCLUSIVE PROPERTY OF ACTEL.
 THE INFORMATION, DRAWINGS AND DESIGN CONCEPTS CONTAINED HEREIN ARE CONFIDENTIAL/PROPRIETARY, SHALL
 BE MAINTAINED IN STRICT CONFIDENCE, AND SHALL NOT BE RELEASED TO ANY THIRD PARTY WITHOUT THE EXPRESS
 WRITTEN PERMISSION OF ACTEL.

ECN NO.	REV.	DESCRIPTION OF CHANGE	EFFECTIVE DATE	ORIGINATOR
2007354	0	Initial	06/15/2007	Lijie Zhao



Notes:

1. Controlling dimensions are in millimeters.
2. Yamaichi socket number IC149-240-167-B5
3. Make 2 holes on PCB when you use socket with the guide pin. Do not plate the inside of the holes.

UNLESS OTHERWISE SPECIFIED DIMENSIONS ARE IN MILLIMETERS DECIMAL ANGULAR X.X ± 0.10 ± 1° X.XX ± 0.05 X.XXX ± 0.03		PROJECTION 		ACTEL CORPORATION 2061 Stierlin Court Mountain View, CA 94043-4655		
MATERIAL SEE NOTES		APPROVALS DRAWN Lijie Zhao		TITLE SY-PQG240, Yamaichi lead free prototype socket drawing for PQG240 and PQG240 packages		
FINISH SEE NOTES		CHECKED		DATE 06/15/07		
DO NOT SCALE DRAWING		ENG'R		VENDOR NAME: Yamaichi		
		RELEASED		ACTEL DWG. NUMBER 1-07-11068		
				VENDOR SID(PART) NUMBER IC149-240-167-B5		
				VENDOR DWG. NUMBER N/A		
				Actel Part#: SY-PQG240		
				SCALE: NONE		
				SHEET 1 OF 1		