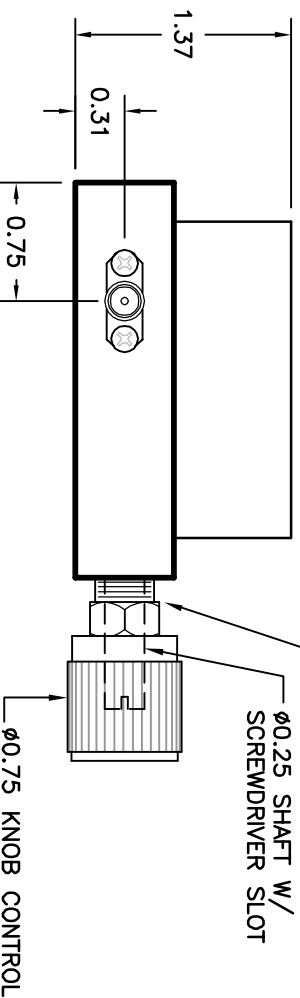
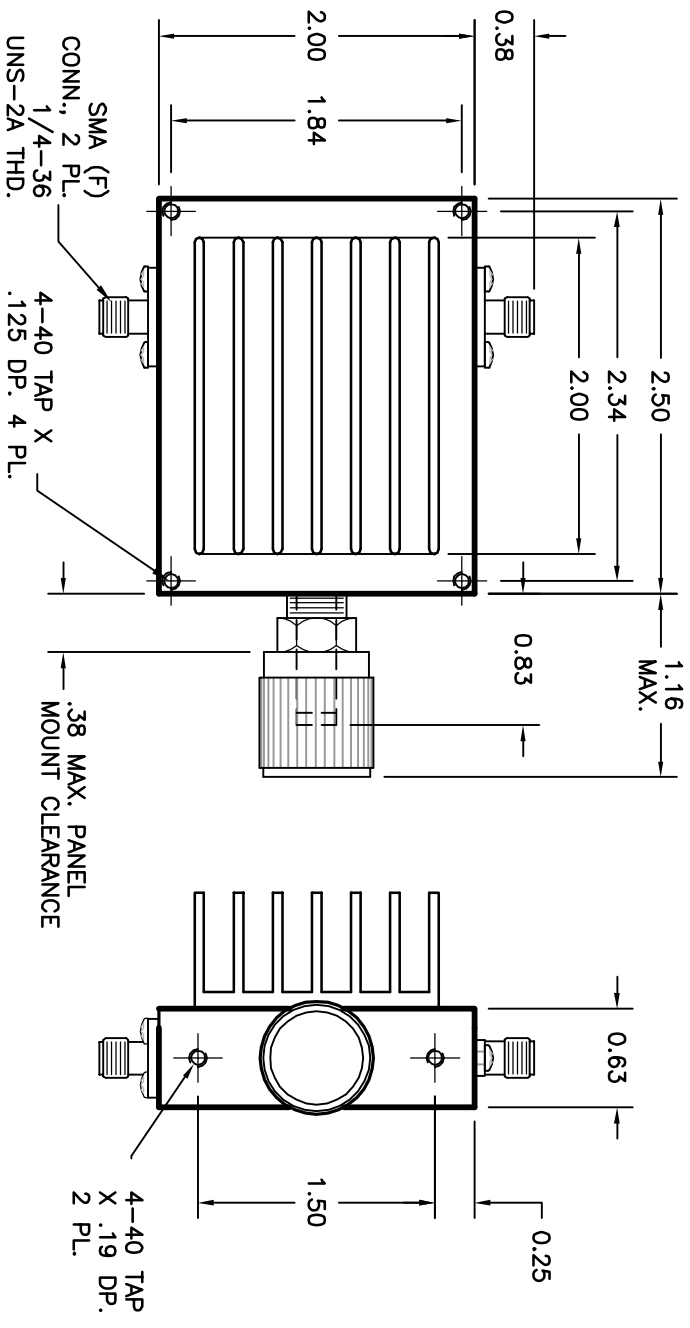


REV.	AUTH.	DATE	INITIAL RELEASE	APPROVED
REV. A	R.L.	2/10/01	ADDED LOCKING COLLAR	APPROVED
REV. B	R.L.	3/15/04	ADDED LOCKING COLLAR AND KNOB OPTION	APPROVED
REV. C	R.L.	9/25/02	FORMAT UPDATE	APPROVED
REV. D	R.L.	1/19/05		APPROVED



MATERIAL	TREATMENT	DRAWN	R. LYNCH	DATE
ALUM.	-	CHECKED		MM/DD/04
FINISH	MOD. NO.	APPROVED		DATE
ATM STD. GREY	AH30V08X			

**OUTLINE,
 VARIABLE
 COAX ATTENUATOR**

ADVANCED TECHNICAL MATERIALS, INC.
 49 RIDER AVE., PATCHOGUE N.Y. 11772
 TEL: (631) 289-0363 FAX: (631) 289-0358
 http://www.atmmicrowave.com



ENDORSEMENT NOTICE:
 THE INFORMATION IN THIS DRAWING
 IS THE PROPERTY OF ATM. IT IS TO
 BE USED OR DISCLOSED WITHOUT
 THE PRIOR WRITTEN CONSENT OF
 ATM.

UNLESS OTHERWISE NOTED DIMENSIONS ARE IN INCHES TOLERANCES ARE:	FRACTIONS	DECIMALS	ANGLES	SHEET
	±1/64	±.01	±1/2°	1/1
CAGE CODE: 0R8N4	DO NOT SCALE DWG			
SCALE	DWG. NO.	REV.		
NONE	4071W	D		