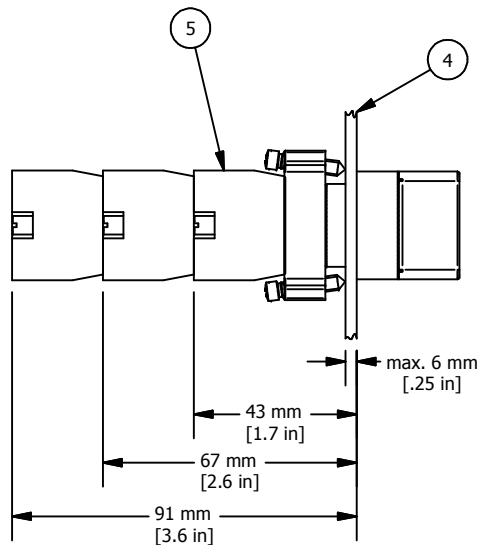


Up to **six** switch contacts can be installed.



* = Selector Switch is supplied with mounting bracket (ITEM 1,2 and 3)
 ** = Switch Contacts must be ordered separately

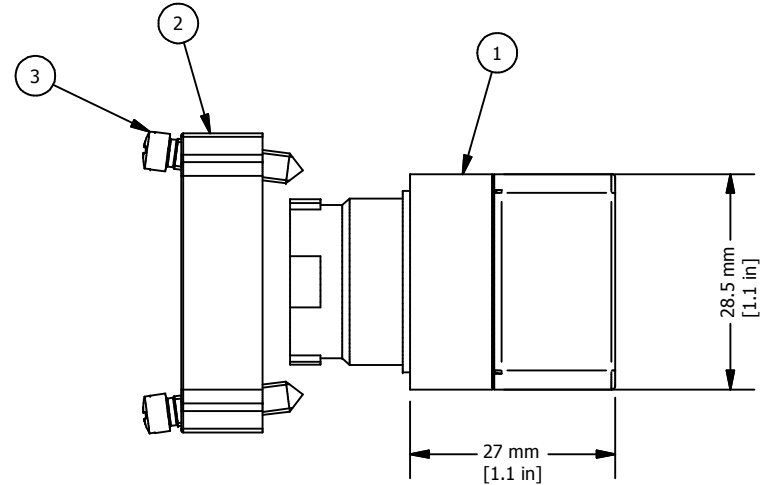
3 POSITION SELECTOR SWITCH CONTACT BLOCK OPERATION GUIDE

CONTACT BLOCK GUIDE			
⊗	⊙	⊙	1 NO (left)
⊙	⊗	⊙	2 NC in series (side × side)
⊙	⊙	⊗	1 NO (right)
⊗	⊗	⊙	1 NC (right)
⊙	⊗	⊗	1 NC (left)
⊗	⊙	⊗	2 NO in parallel (side × side)

(Left or right as seen from front of operator)

REVISION FOR DWG # 1PB-2AS2-x

REV	CH.NO.	DESCRIPTION	DATE	REVISED BY
-	-	ORIGINAL DESIGN	11/01/07	PHILIPP E.



ITEM	DESCRIPTION	CAT. NO.	DESCRIPTION	Color	MIN. QTY.	MAX. QTY.
1*	Selector Switch	2AS2-1	Maintained	Black	1	1
		2AS2-2	Spring Return	Black	1	1
		2AS2-3	Maintained	Black	1	1
		2AS2-4	Spring Return	Black	1	1
		2AS2-5	Spring Return	Black	1	1
		2AS2-6	Spring Return	Black	1	1
2*	Mounting Bracket	2BRK	-	-	1	1
3	Mounting Bracket Screws	incl. in 2BRK	-	-	2	2
4	Panel	-	-	-	-	-
5**	Switch Contacts	S1	-	Green	1	6
		S2	-	Red	1	6
		S3	-	Green/Black	1	6
		S4	-	Red/Black	1	6

UNLESS OTHERWISE SPECIFIED:
 • ALL DIMENSIONS ARE IN MILLIMETERS
 • THIRD ANGLE PROJECTION



METRIC

This Drawing is the property of
Altech Corp.

35 Royal Road
 Flemington, NJ 08822-6000
 (908) 806-9400
 Fax (908) 806-9490

AND IS A CONFIDENTIAL DISCLOSURE
 WITHOUT CONSIDERATION OTHER THAN THE
 BORROWER'S AGREEMENT THAT IT
 SHALL NOT BE REPRODUCED,
 COPIED, LENT OR DISPOSED OF
 DIRECTLY OR INDIRECTLY NOR
 USED FOR ANY PURPOSE OTHER
 THAN THAT FOR WHICH IT IS
 SPECIFICALLY FURNISHED.

TITEL **22mm Non-Illuminated Selector Switch 2AS2-x (x=type)**

DRAWN BY: Philipp Ernstberger	11/01/07	DRAWING NO.:	1PB-2AS2-x	REV.:	-
CHECKED BY: Laszlo Gyorgypal	11/01/07	SCALE:	-	SHEET:	1
RELEASED BY: Laszlo Gyorgypal	11/01/07	OF:	1		