

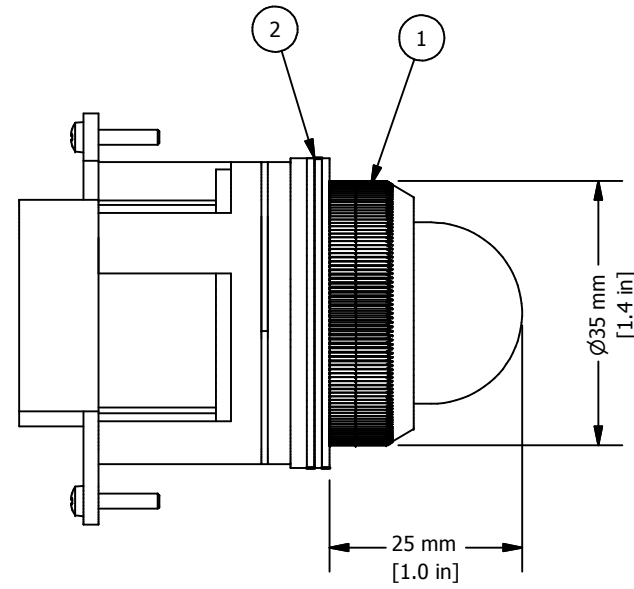
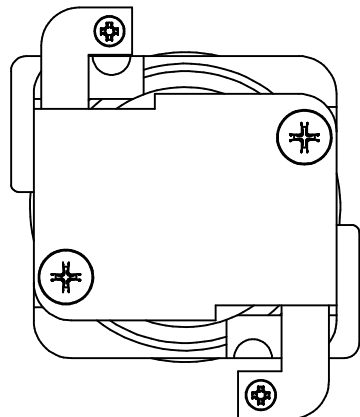
REVISION FOR DWG # 1PB-PLBx-yyy

REV	CH.NO.	DESCRIPTION	DATE	REVISED BY
-	-	ORIGINAL DESIGN	11/20/2007	PHILIPP E.



yyy = Voltage

012	=	12V AC/DC
024	=	24V AC/DC
048	=	48V AC/DC
110	=	110V AC/DC
230	=	230V AC



* = Operator includes 3x ARW1.2, 1x ARW3.2
 ** = Switch Contacts include Contact element washer and two SC24 installation screws, if more than two contact blocks are used, additional screws must be purchased separately (SC45, SC65 or SC90)

ITEM	DESCRIPTION	CAT. NO.	COLOR	MIN. QTY.	MAX. QTY.
1*	30 mm Pilot Light (with filament bulb or LED bulb)	PLB1-yyy or PLB1LB-yyy	White	1	1
		PLB3-yyy or PLB3LB-yyy	Green	1	1
		PLB4-yyy or PLB4LB-yyy	Red	1	1
		PLB5-yyy or PLB5LB-yyy	Amber	1	1
		PLB6-yyy or PLB6LB-yyy	Blue	1	1
		PLB7-yyy or PLB7LB-yyy	Clear	1	1
		PLB8-yyy or PLB8LB-yyy	Yellow	1	1
2*	Rubber washer	ARW1.2/ARW3.2	Black	1	4
3	Panel	-	-	-	-
4**	Contact Element washer	-	Black	1	2
5**	Switch Contacts	S11	Red	1	2
6**	Switch Contacts	S12	Yellow	1	2
7**	Contact Block Installation Screws	SC25/SC45/SC65/SC90	-	2	2

UNLESS OTHERWISE SPECIFIED:
 • ALL DIMENSIONS ARE IN MILLIMETERS
 • THIRD ANGLE PROJECTION



This Drawing is the property of Altech Corp. AND IS A CONFIDENTIAL DISCLOSURE. LENT WITHOUT CONSIDERATION OTHER THAN THE BORROWER'S AGREEMENT THAT IT SHALL NOT BE REPRODUCED, COPIED, LENT OR DISPOSED OF DIRECTLY OR INDIRECTLY NOR USED FOR ANY PURPOSE OTHER THAN THAT FOR WHICH IT IS SPECIFICALLY FURNISHED.

35 Royal Road
 Flemington, NJ 08822-6000
 (908) 806-9400
 Fax (908) 806-9490

TOLERANCE

XX	=	±1 mm
XX.X	=	±0.5 mm
XX.XX	=	±0.2 mm
ALL	=	- mm

METRIC

TITEL 30 mm Metal Pilot Light PLBx-yyy (filament bulb and PLBxLB-yyy (x=color; yyy=voltage)

DRAWN BY: Philipp Ernstberger	11/20/2007	DRAWING NO.:	REV.:
CHECKED BY: Laszlo Gyorgypal		1PB-PLBx-yyy	-
RELEASED BY: Laszlo Gyorgypal		SCALE: -	SHEET: 1 OF: 1