

Totalizers electronic

Large impulse counters and position displays

Display LED, 6-digits, programmable

N 214



N 214 - Totalizer

Technical data - electrical ratings

Voltage supply	115/230 VAC $\pm 10\%$ (50/60 Hz) 24/48 VAC $\pm 10\%$ (50/60 Hz) 12...30 VDC
Power consumption	7 VA, 5 W
Sensor supply	12...26 VDC / max. 100 mA
Display	LED, 7-segment display
Number of digits	6-digits
Digit height	14 mm
Function	Totalizer Difference counter A - B Parallel counter A + B Position display
Scaling factor	0.0001...9999.99
Count modes	Adding or subtracting A-B (difference counting) A+B total (parallel counting) Up/Down A 90° B phase evaluation
Counting frequency	3 Hz, 25 Hz, 10 kHz programmable
Measuring range	-99 999...+999 999
Data memory	>10 years in EEPROM
Reset	Button and electric
Keylock	Yes, electric (keylock)
Outputs electronic	Optocoupler
Outputs relay	Potential-free change-over contact
Output holding time	0.01...9.99 s
Interfaces	RS232, RS422, RS485
Standard DIN EN 61010-1	Protection class II Overvoltage category II Pollution degree 2
Emitted interference	DIN EN 61000-6-3
Interference immunity	DIN EN 61000-6-2

Features

- Totalizer and position display
- Display 6-digits
- Set value, scaling factor, momentary signal duration and operating mode programmable
- Connection: Incremental encoder or digital sensors
- Interface RS232, RS422, RS485

Technical data - electrical ratings

Programmable parameters	Decimal point Sensor logic, scaling factor Count mode, measuring units
Approvals	UL/cUL, CE conform

Technical data - mechanical design

Operating temperature	0...+50 °C
Storing temperature	-20...+70 °C
Relative humidity	80 % non-condensing
E-connection	Plug-in screw terminals
Core cross-section	1.5 mm ²
Protection DIN EN 60529	IP 65 face with seal
Operation / keypad	Membrane with softkeys
Housing type	Built-in housing
Dimensions W x H x L	96 x 48 x 124 mm
Installation depth	124 mm
Mounting	Clip frame
Cutout dimensions	92 x 45 mm (+0.6)
Materials	Housing: Makrolon 6485 (PC) Keypad: Polyester
Weight approx.	350 g (AC), 250 g (DC)

Totalizers electronic

Large impulse counters and position displays

Display LED, 6-digits, programmable

N 214

Part number

N 214. **AX01**

Voltage supply

- 1 24 / 48 VAC
- 2 115 / 230 VAC
- 3 24 VDC

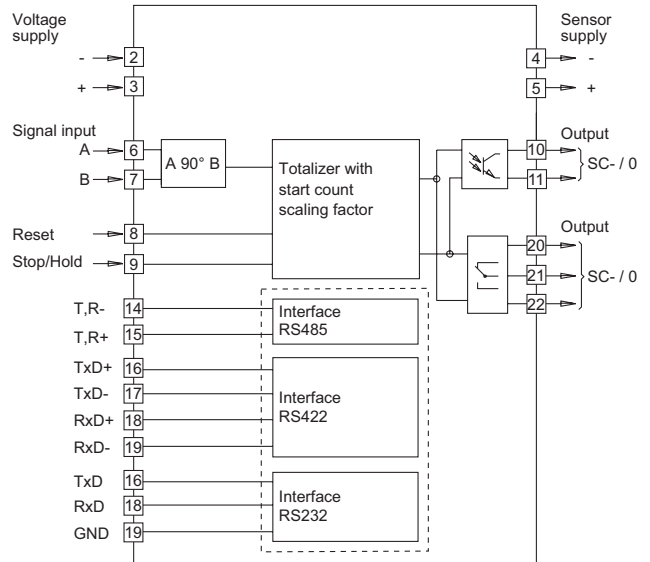
Outputs

- 0 Without relay
- 1 Relay and optocoupler outputs

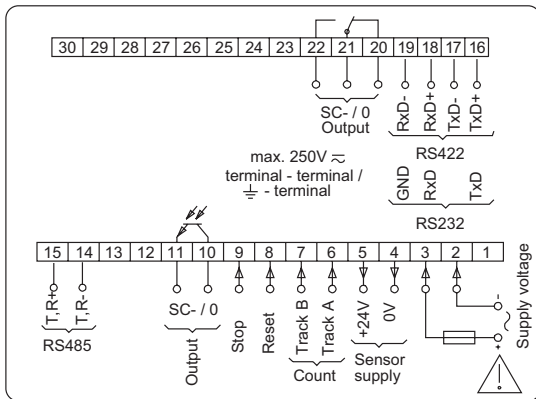
Interface

- 0 Without interface
- 1 RS485
- 2 RS422
- 3 RS232

Block circuit diagram



Connection diagram



Trigger level

Comparator inputs	Input circuit
Inputs	PNP- / NPN-logic
Input level	Programmable
Input level Low	0...2 VDC
Input level High	3...40 VDC
Input resistance	3 kΩ
Relay output	Output circuit
Switching voltage max.	250 VAC / 110 VDC
Switching current max.	1 A
Switching capacity max.	150 VA / 30 W
Relay responding time	5 ms
Electronic output	Output circuit
Switching voltage max.	40 V
Switching current max.	15 mA

Dimensions

